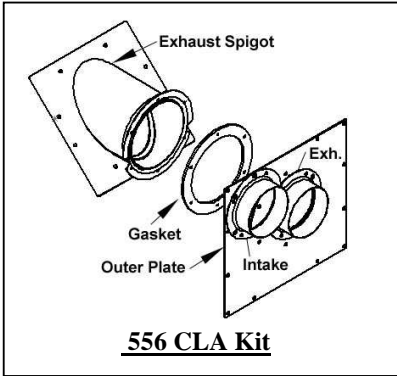




Model 530 Direct Vent Installed as an Insert Using Model 556 Co-Linear Adapter

April '04

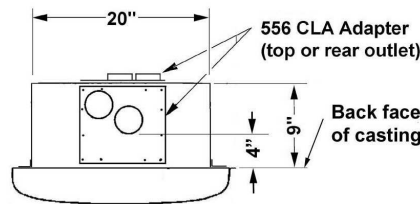
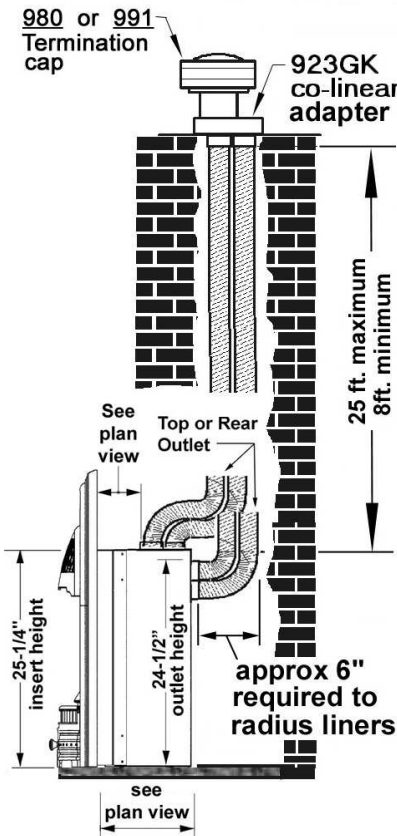
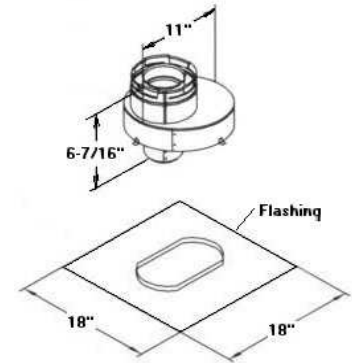
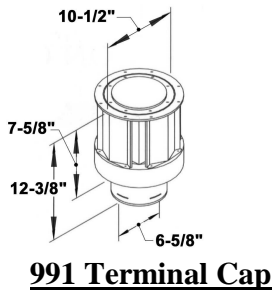


General

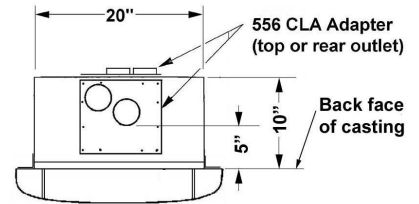
The 556 CLA Co-Linear adapter is a field installed kit to convert listed direct vent heaters from solid co-axial piping to flexible 3", side by side, co-linear piping for installation into existing solid fuel fireplaces and chimneys. Co-linear piping can not be used in combustible fireplace and chimney cavities. The 556 CLA may be fitted to the Top or Rear outlet of the 530 heater. This kit is for vertical termination only – not sidewall.

A Simpson Dura-Vent 923GK and either a 980 or 991 Terminal cap are required to complete the termination of the co-linear chimney system.

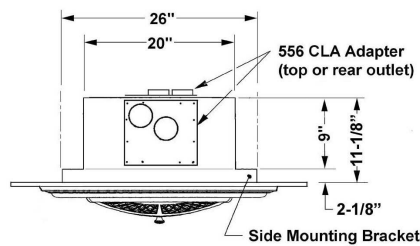
Note : Venting limitations and restrictors are as per those listed for co-axial venting in the heater installation manual



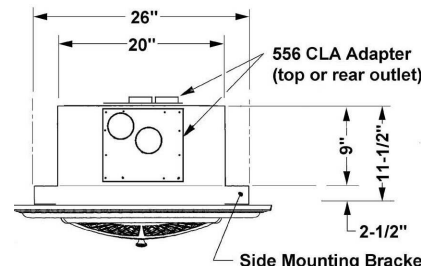
With 536 President Front



With 541 Bolero Front



With 539 Windsor Arch & Plate



With 549 Windsor Arch