

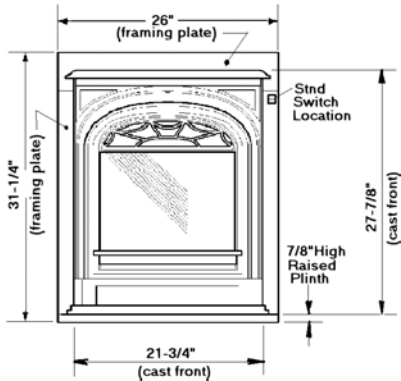


# Model 530

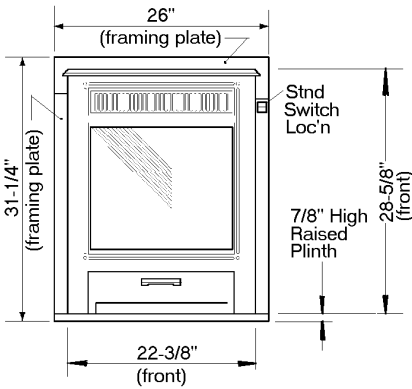
## Zero Clearance

### Rear Outlet DV (with vertical rise)

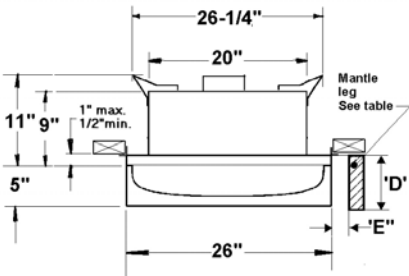
May 2000



**President Front**

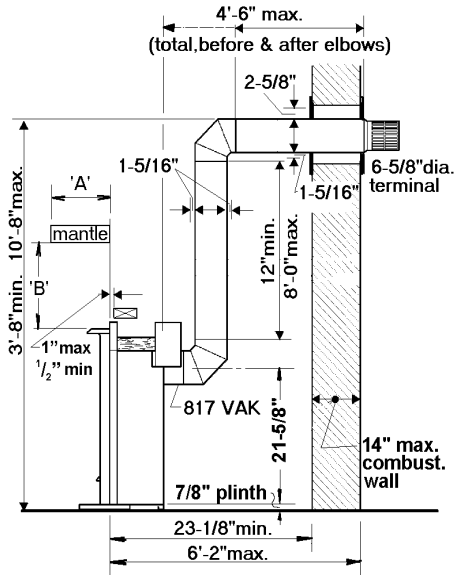


**Impression Front**

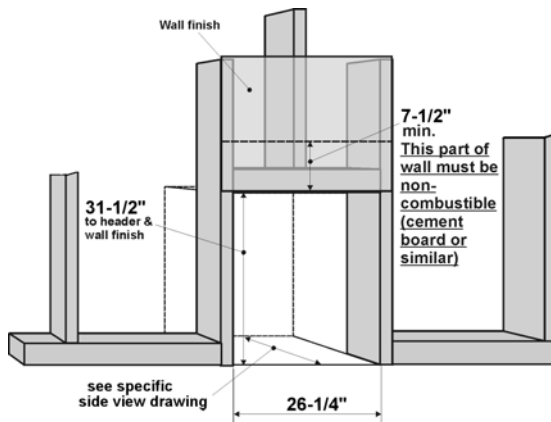
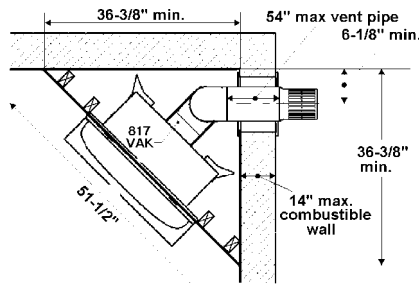


**Max. Vent Configuration**

2- 90 deg. Elbows or Equivalent

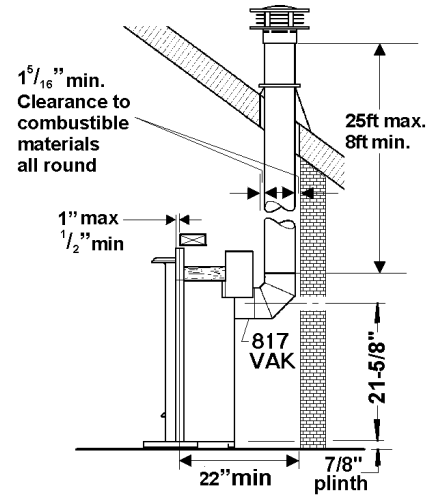


**Thru Wall**

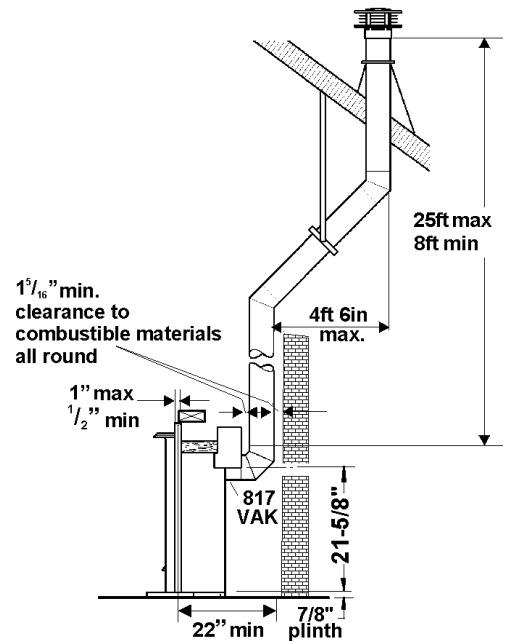


**Framing Dimensions**

'A' mantle depth	'B' min. clearance		'D' mantle projection	'E' min. clearance
	President	Impression		
0-5"	4"	4"	0-8"	0"
5-7"	4"	5"	8 + "	6"
7-8"	5"	7"		
8-9"	7"	8"		
9-10"	8"	10"		
10-12"	9"	10"		
12+ "	Add extra 1" for every 1" increase in depth			



**Thru Roof**



**Thru Roof w/ Offset**

