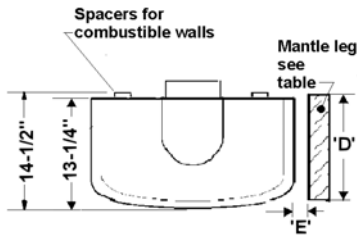




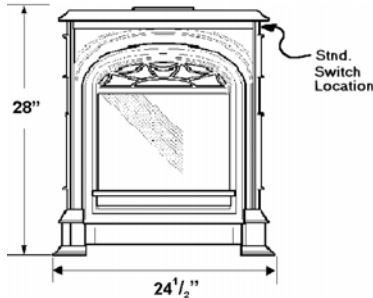
# Model 530 Free Standing Rear Outlet Direct Vent

May 2000

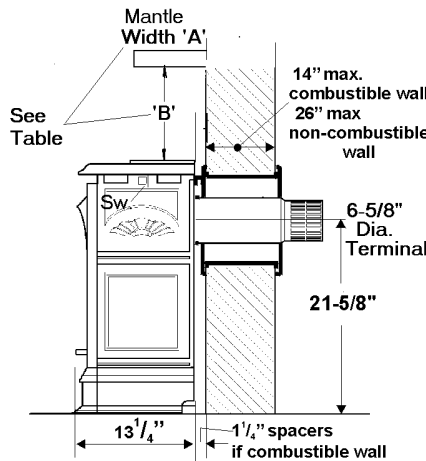
'A' mantle depth	'B' min. clearance	'D' mantle projection	'E' min. clearance
0-12"	4"	0-8"	1"
12-18"	8"	8 + "	6"
18+ "	Add extra 1" for every 1" increase in depth		



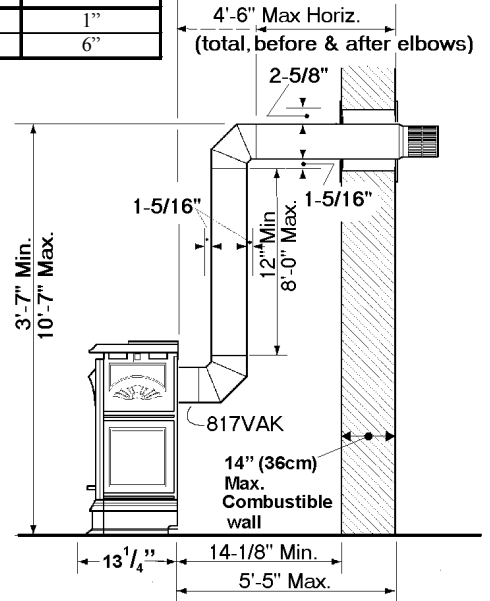
**Top View**



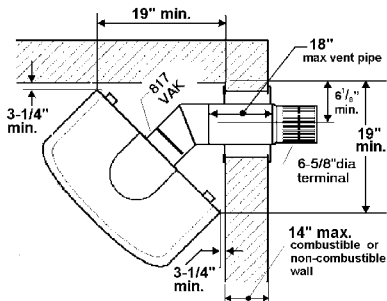
**Front View**



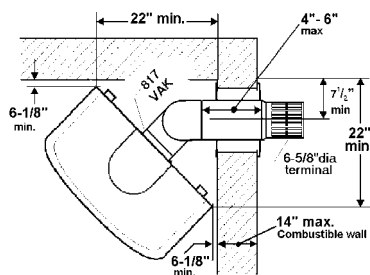
**Side View**



**Up and Out**

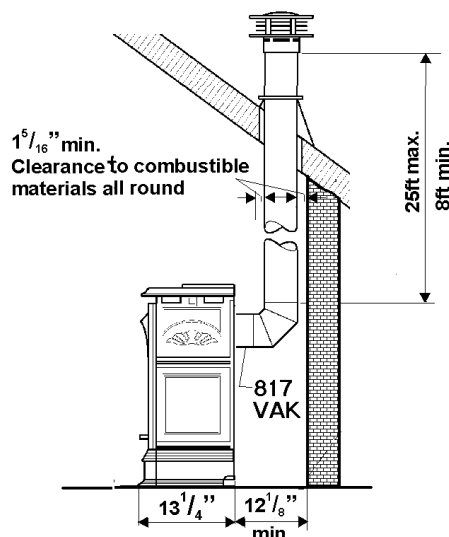


**Corner (no rise)**

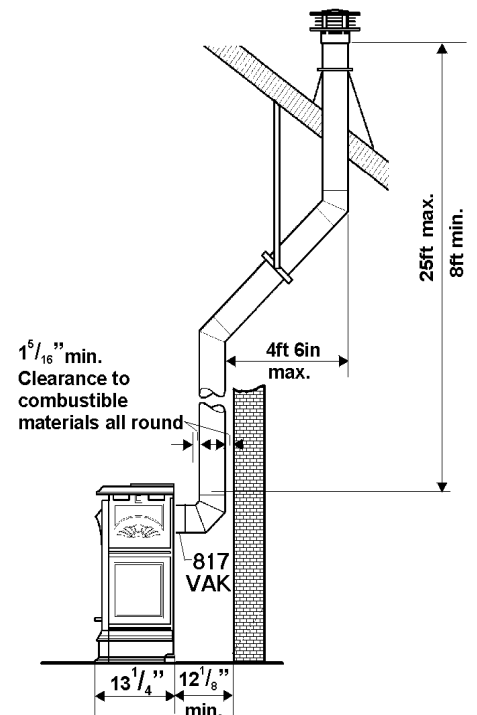


**Corner w/ Vertical Rise**

**Max. Vent Configuration**  
2- 90 deg. Elbows or Equivalent



**Thru Roof**



**Thru Roof w/ Offset**



Phone 1 - 800 - GO - VALOR  
www.valorflame.com