



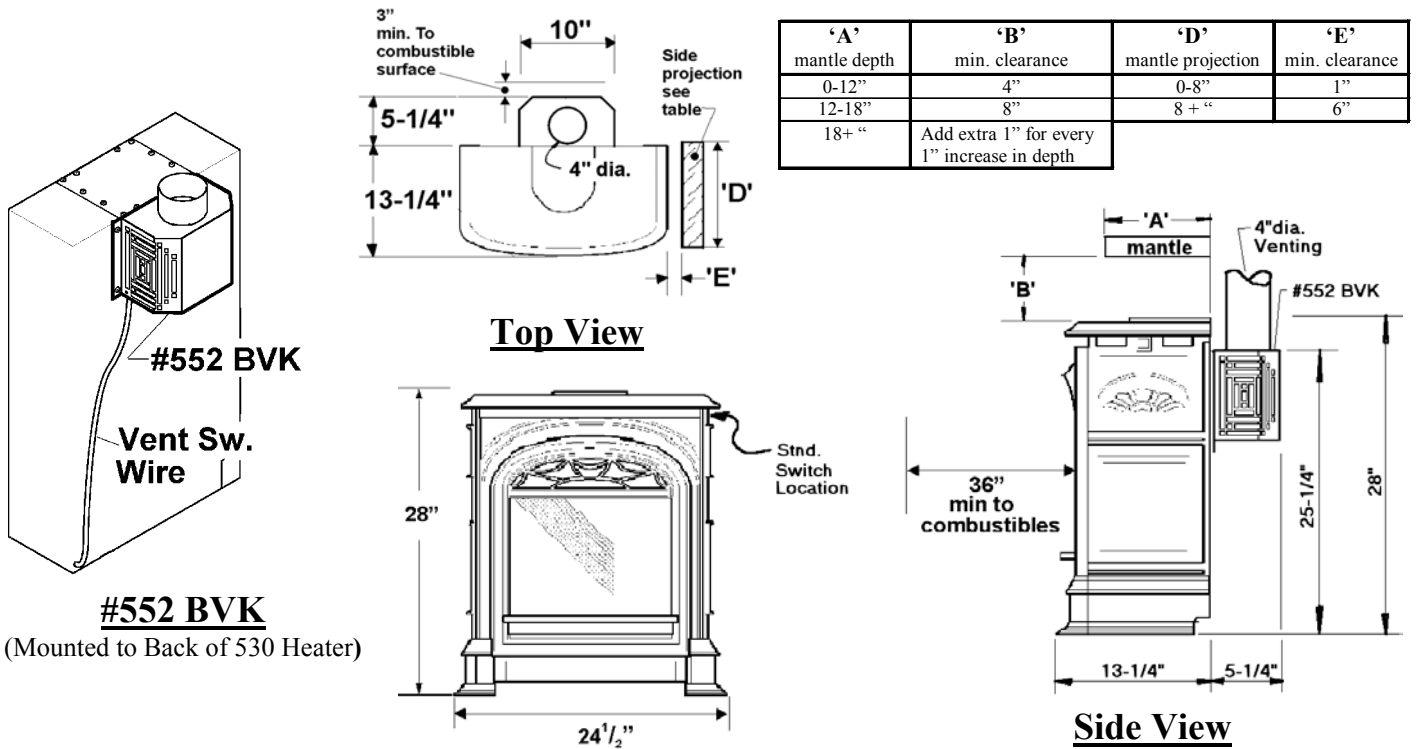
Model 530

Gravity Vent using #552 BVK Adapter

Free Standing Heater Only

May 2000

The model 530 direct vent heater can be converted to gravity venting by using the #552 BVK B-vent kit adapter. The 552BVK is a draft hood that fits over the rear outlet DV collar of the heater. With the 552 BVK fitted to the heater combustion air will be drawn from the room into the inlet collar at the back of the heater. Gravity vent conversion is suitable for the freestanding version of the 530 heater only.



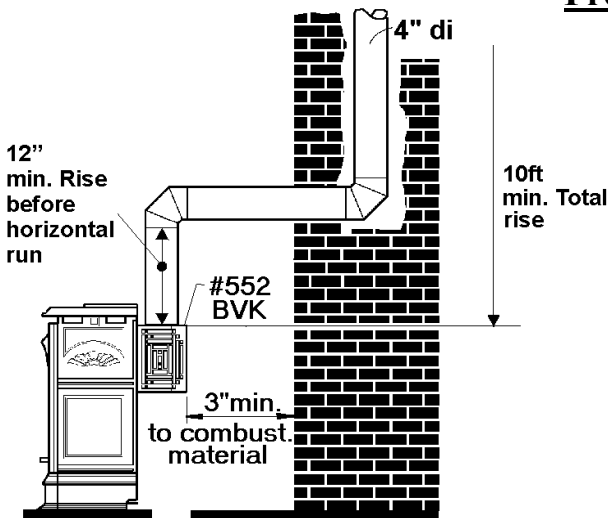
#552 BVK
(Mounted to Back of 530 Heater)

Top View

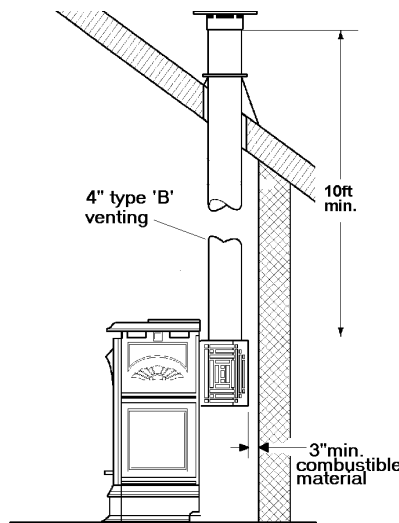
Side View

Front View

Corner Dimensions



Retrofit Existing Chimney



New 'B' Vent Application