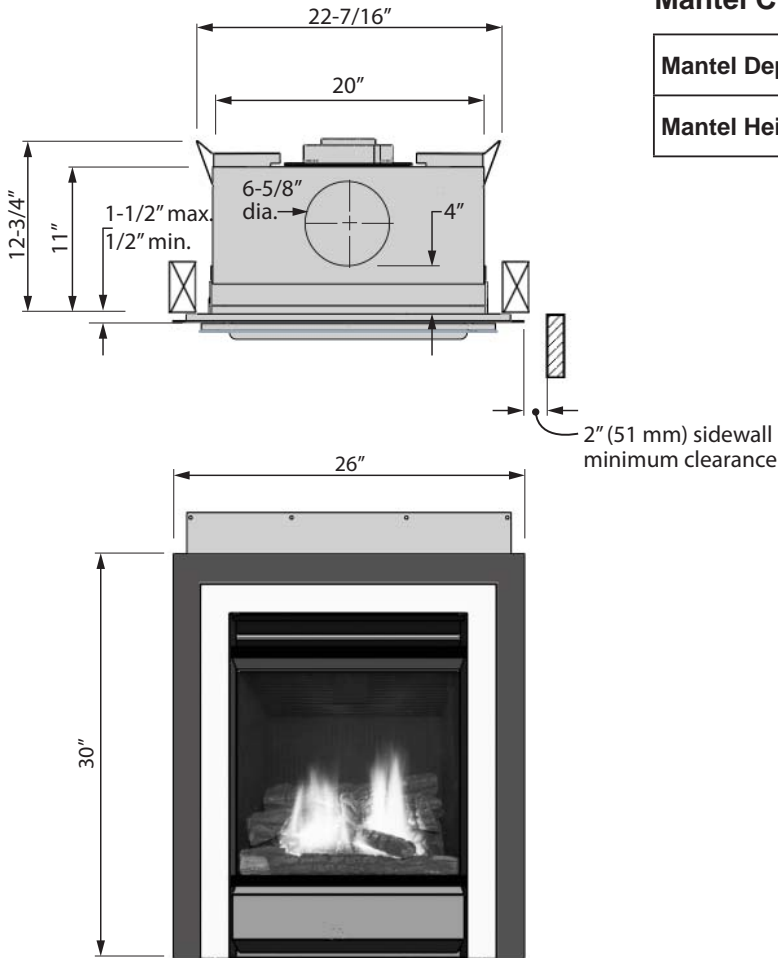
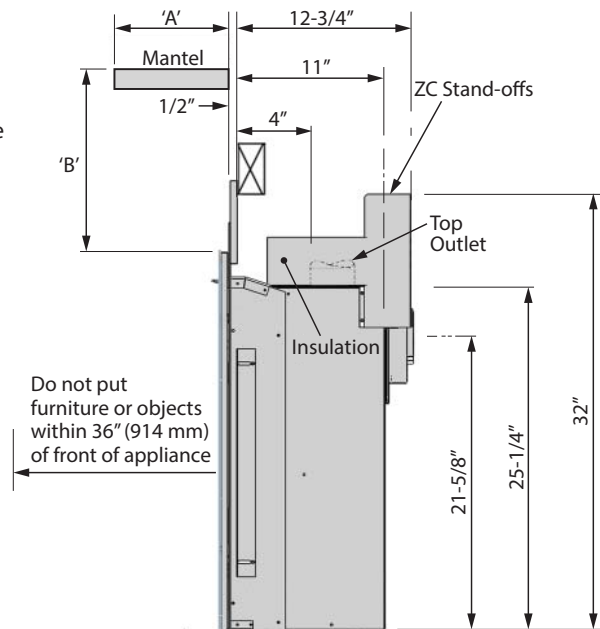


Dimensions and Clearances



Mantel Clearances

Mantel Depth 'A'	0-6" (0-152 mm)	8" (203 mm)	10" (254 mm)	12" (305 mm)
Mantel Height 'B'	4" (102 mm)	8" (203 mm)	10" (254 mm)	12" (305 mm)



Corner dimensions

