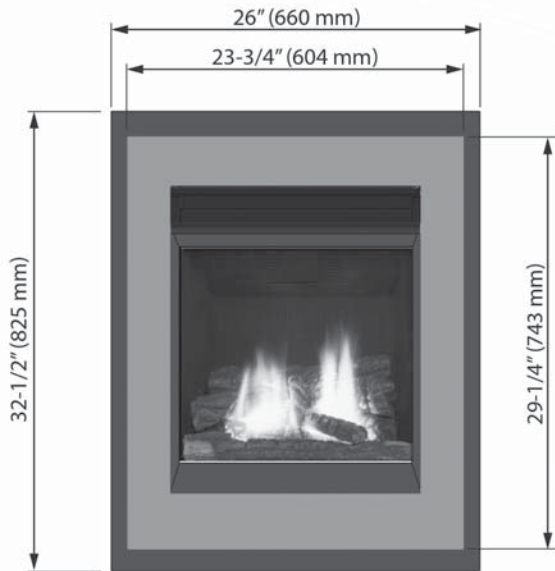
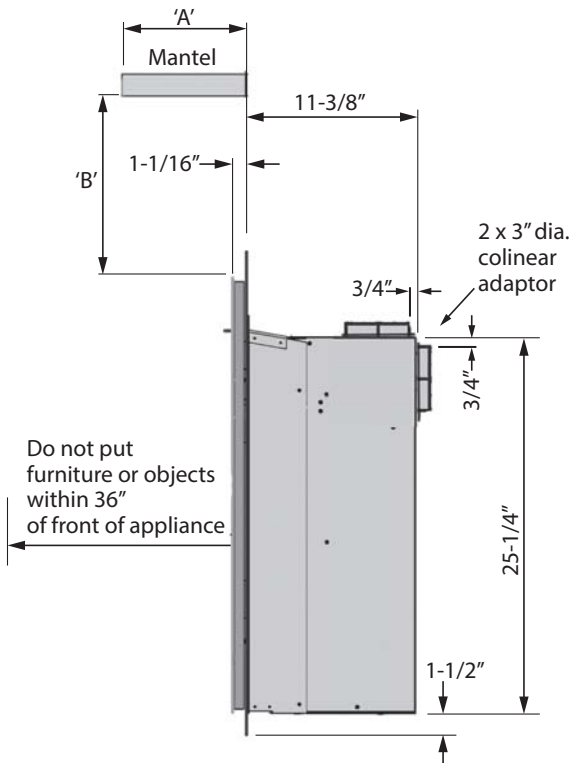
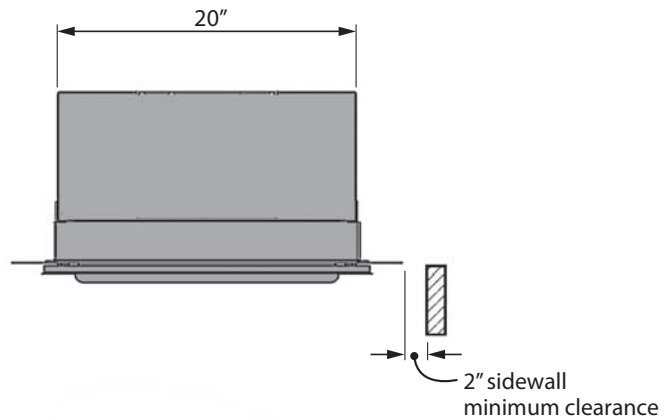


**Dimensions & Clearances— Insert dimensions for 2 engine configurations  
—non-combustible installations ONLY**

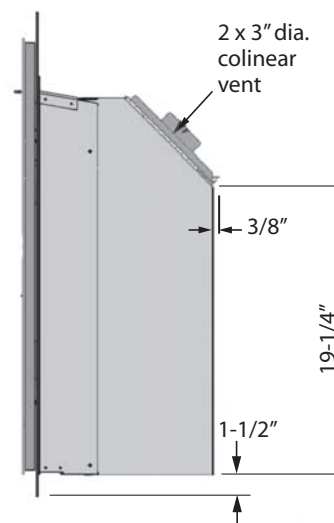


**546 Ledgeview Front**

| Mantel Clearances   |                    |
|---------------------|--------------------|
| Mantel depth<br>"A" | Min. height<br>"B" |
| 0-6"<br>(0-152 mm)  | 4"<br>(102 mm)     |
| 8"<br>(203 mm)      | 8"<br>(203 mm)     |
| 10"<br>(254 mm)     | 10"<br>(254 mm)    |
| 12"<br>(305 mm)     | 12"<br>(305 mm)    |



**530 engine with  
556CLA co-linear adaptor**



**530 insert engine with  
standard co-linear vent**