



Valor Legend stove



936TTN Top vent main unit
936RTN Rear vent main unit

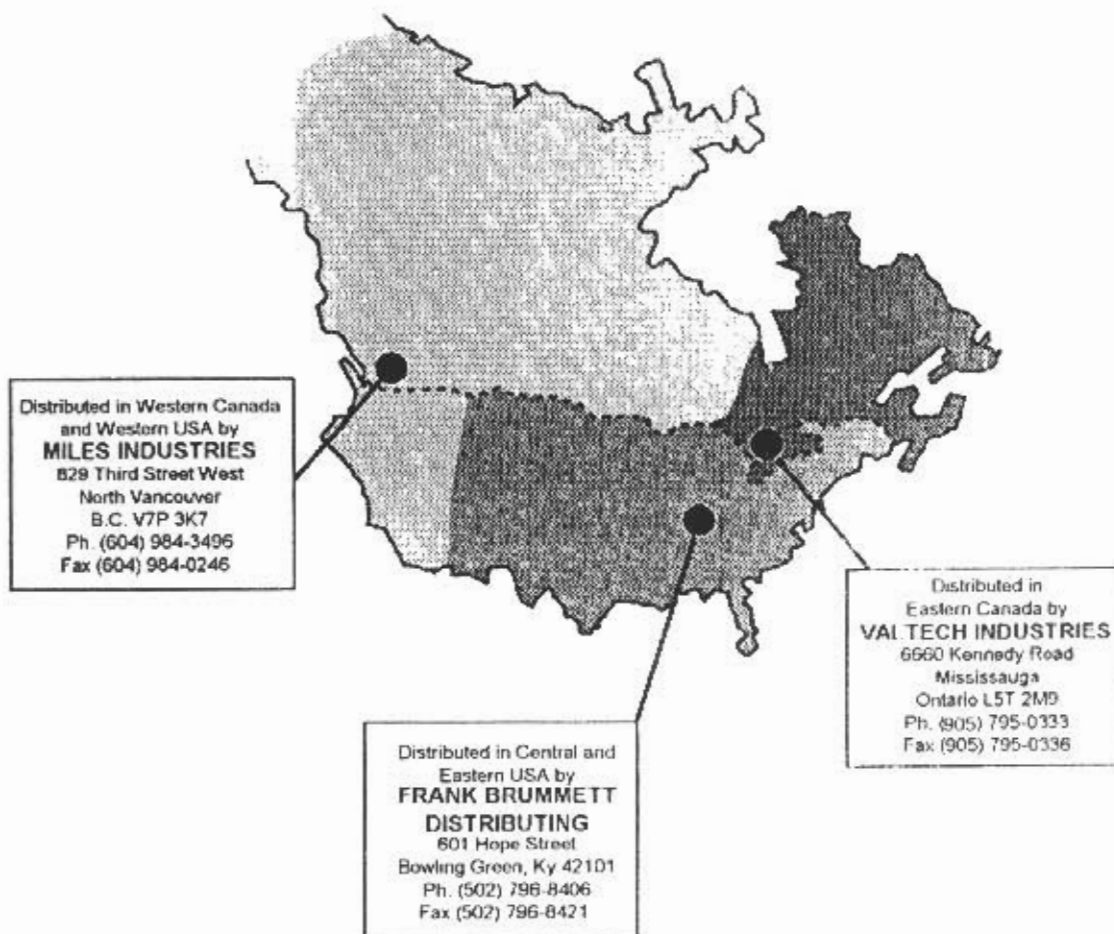
With

901FKP Facia & Pedestal

903VKT Top vent unit

904VKR Rear vent unit

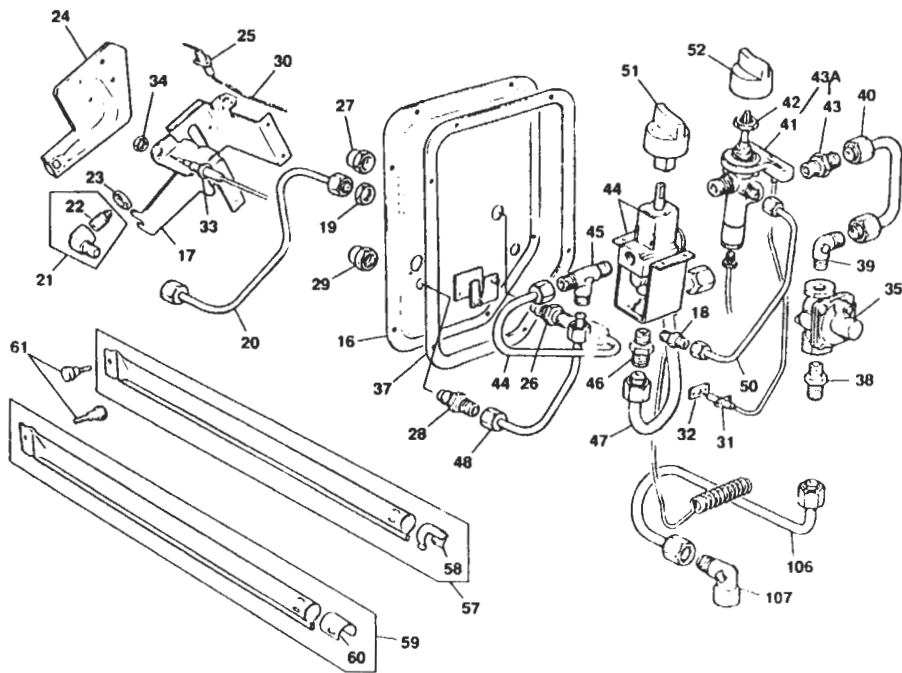
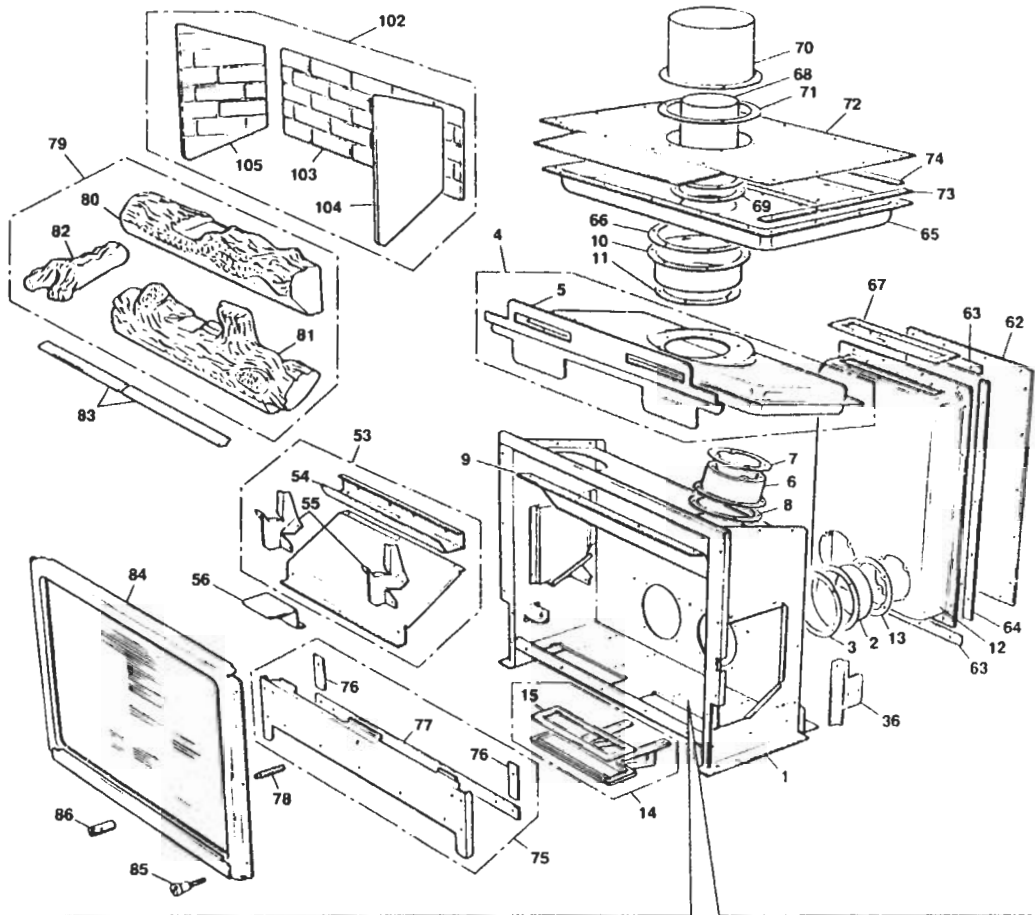
REPAIR PARTS LIST



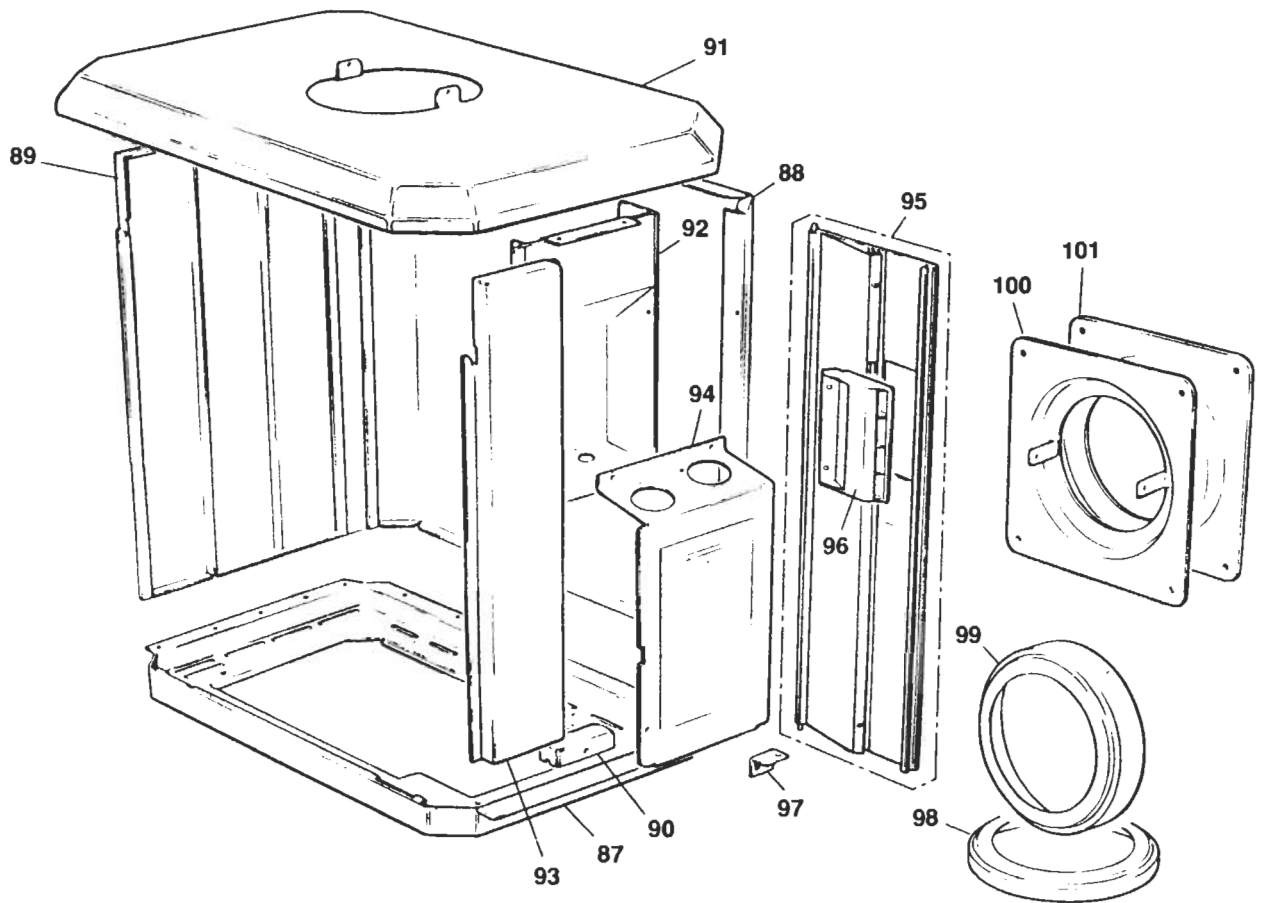
Manufactured by

Valor Heating
Birmingham, England





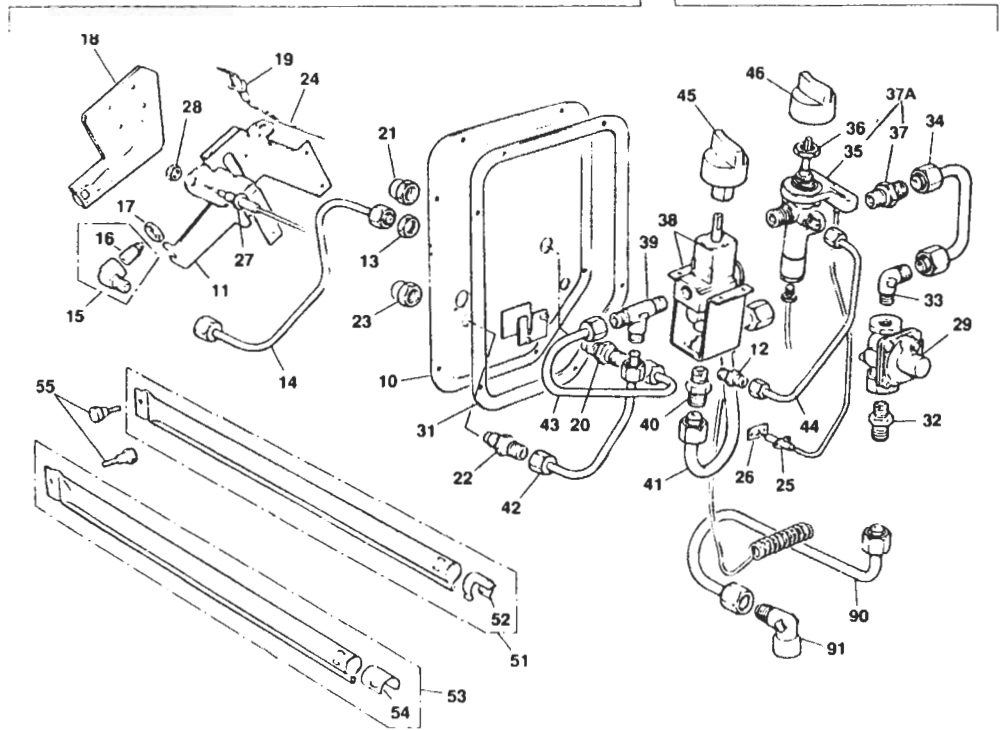
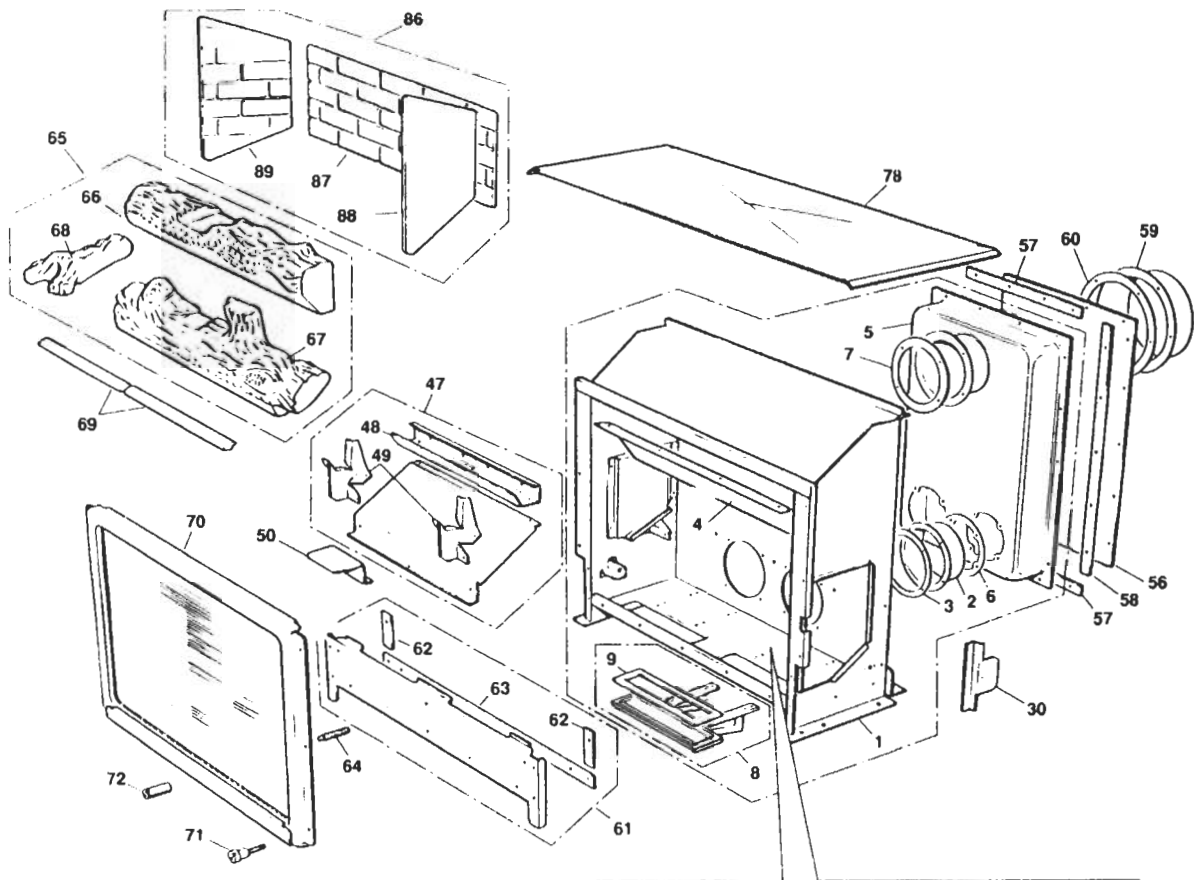
936TTN Top vent main unit interior



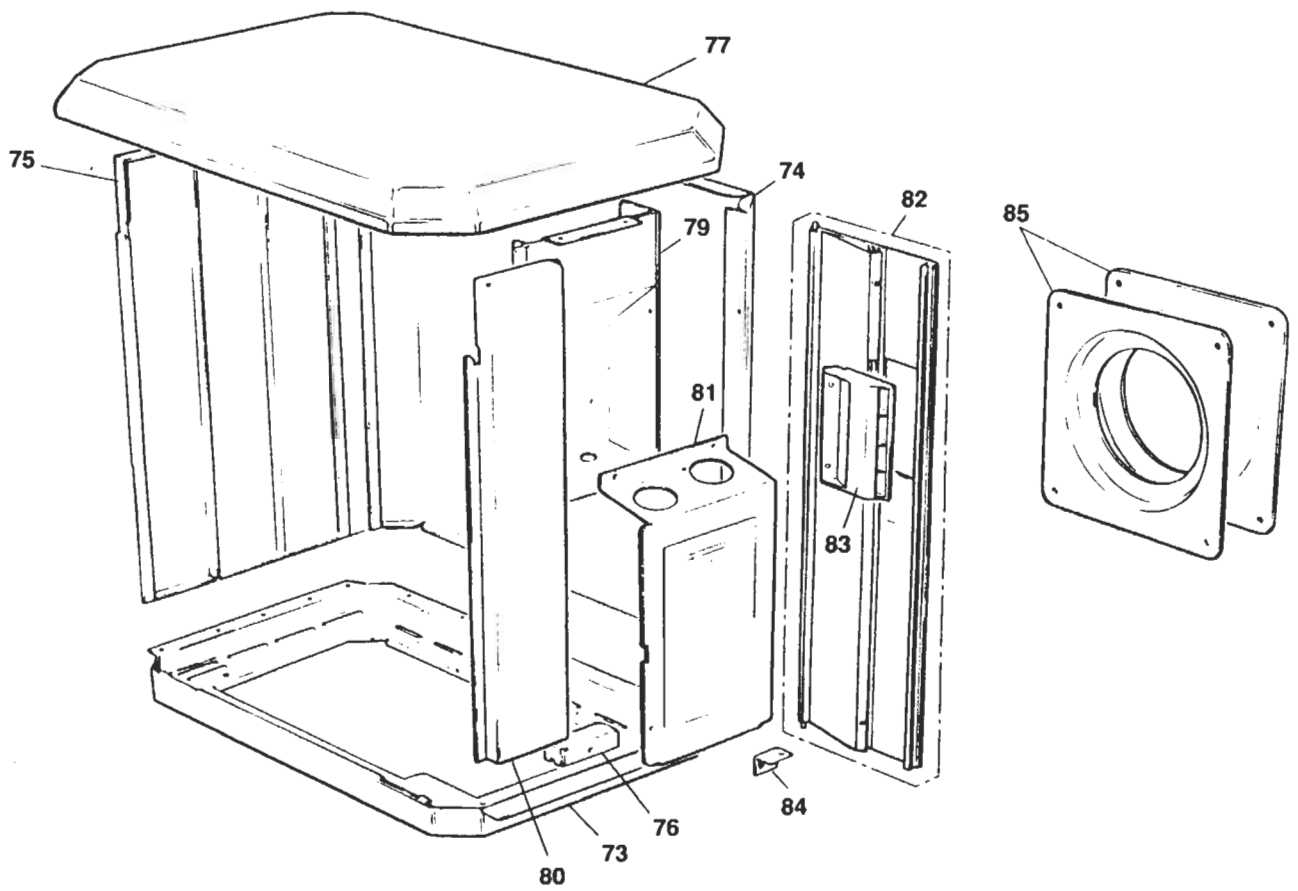
936TTN Top vent main unit exterior

936TTN Top vent main unit			
KEY	DESCRIPTION	QUANTITY	PART #
1	Fire box	1	541569
2	Transfer port	2	523999
3	Seal	2	524009
4	Heat exchanger	1	541579
5	Heat exchanger baffle	1	541589
6	Transfer port	2	523999
7	Seal	2	524039
8	Seal	2	524009
9	Exhaust port cover	1	524049
10	Transfer port - exhaust	1	524059
11	Seal	1	524069
12	Air duct body	1	524079
13	Seal	2	524039
14	Pressure relief unit	2	524089
15	Pressure relief seal	2	524099
16	Fire box right side panel	1	541599
17	Cross lighting bracket	1	522909
18	Connector - Pilot pipes	1	524139
19	Locknut	1	524149
20	Pipe - Connector to pilot elbow	1	524169
21	Pilot injector & carrier	1	524179
22	Pilot injector	1	522969
23	Locknut	1	524149
24	Pilot & cross lighting burner	1	522979
25	Electrode	1	522989
26	Injector	1	541609
27	Injector carrier	1	523019
28	Injector	1	541609
29	Injector carrier	1	523019
30	Electrode lead	1	513199
31	Electrode lead connector	1	541619
32	Seal	1	541629
33	Thermocouple	1	522999
34	Locknut	1	547759
35	Regulator (0 - 2000ft)	1	508199
	Regulator (2000 - 4500ft)	1	507019
36	Regulator bracket	1	541639
37	Seal	1	524239
38	Connector - Regulator inlet	1	539639
39	Elbow connector - Regulator outlet	1	541649
40	Pipe - Regulator to control valve	1	541659
41	Control valve	1	541669
42	Locknut	1	502739
43	Connector - Control valve inlet	1	541679
43A	Control valve and inlet connector	1	542199
44	Thermostat unit	1	541689
45	"T" connector - Thermostat outlet	1	541699
46	Connector - Thermostat inlet	1	539639
47	Pipe - Control valve to thermostat	1	541709
48	Pipe - Thermostat to front burner	1	541719
49	Pipe - Thermostat to rear burner	1	541729
50	Pipe - Control valve to pilot connector	1	541739
51	Thermostat control knob	1	541749
52	Gas control valve knob	1	541759
53	Inlet baffle & log support unit	1	524249
54	Rear log support	1	524259
55	Front log support	2	524269

936TTN Top vent main unit			
KEY	DESCRIPTION	QUANTITY	PART #
56	Hest baffle	1	524729
57	Rear burner	1	524279
58	Air shutter	1	523079
59	Front burner & air shutter	1	524289
60	Air shutter	1	524299
61	Knurled screw	2	539799
62	Air duct back	1	541769
63	Seal	2	514709
64	Seal	2	524309
65	Air duct top	1	524319
66	Seal	1	524329
67	seal	1	524339
68	Exhaust collar	1	524349
69	Seal	1	524009
70	Inlet collar	1	524369
71	Seal	1	524329
72	Air duct top shield	1	541779
73	Seal	2	514709
74	Seal	2	524309
75	Fire box front	1	524389
76	Seal	2	524399
77	Seal	1	524409
78	Threaded stud	1	549319
79	Set of ceramic logs	1	323199
80	Rear log	1	520869
81	Front log	1	523209
82	Cross log	1	520869
83	Front ceramic strip	2	524439
84	Window unit	1	524449
85	Location screw	8	522219
86	Knurled nut	1	524469
87	Case base	1	541789
88	Case rear panel	1	541799
89	Case left side	1	541809
90	Thermostat capillary shield	1	541819
91	Case top	1	541829
92	Control mounting panel	1	541839
93	Case right side & door catch	1	541849
94	Control panel cover	1	541859
95	Controls access door	1	541869
96	Door handle	1	541879
97	Door retaining bracket	1	541889
98	Decorative vent collar for appliance top	1	541899
99	Decorative vent collar for wall plate	1	541909
100	Interior wall plate	1	541919
101	Exterior wall plate	1	541929
102	Set of ceramic walls	1	524479
103	Ceramic back wall	1	524489
104	Ceramic side wall - Right side	1	524499
105	Ceramic side wall - Left side	1	524509
106	Supply inlet pipe	1	541959
107	Supply Inlet elbow	1	548899
-	Instruction manual	1	541939



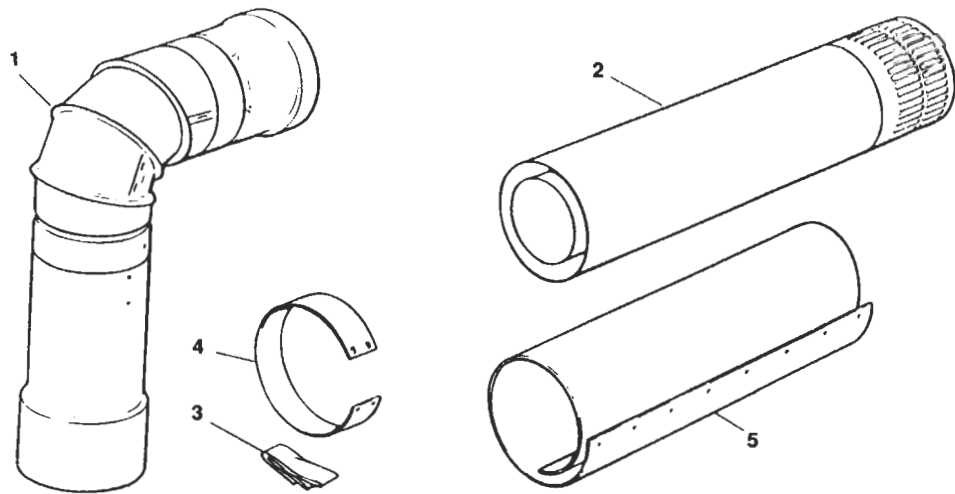
936RTN Rear vent main unit interior



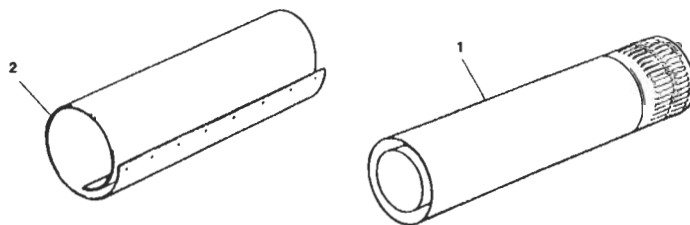
936RTN Rear vent main unit exterior

936RTN Rear vent main unit			
KEY	DESCRIPTION	QUANTITY	PART #
1	Fire box	1	542119
2	Transfer port	2	523999
3	Seal	2	524009
4	Exhaust port cover	1	524049
5	Collar & air duct body unit	1	524719
6	Seal	2	524039
7	Seal	1	524009
8	Pressure relief unit	2	524089
9	Pressure relief seal	2	524099
10	Fire box right side panel	1	541599
11	Cross lighting bracket	1	522909
12	Connector - pilot pipes	1	524139
13	Locknut	1	524149
14	Pipe - Connector to pilot elbow	1	524169
15	Pilot injector & carrier	1	524179
16	Pilot injector	1	522969
17	Locknut	1	524149
18	Pilot & cross lighting burner	1	522979
19	Electrode	1	522989
20	Injector	1	520709
21	Injector carrier	1	523019
22	Injector	1	520709
23	Injector carrier	1	523019
24	Electrode lead	1	513199
25	Electrode lead connector	1	541619
26	Seal	1	541629
27	Thermocouple	1	522999
28	Locknut	1	547759
29	Regulator	1	508199
30	Regulator bracket	1	541639
31	Seal	1	524239
32	Connector - Regulator inlet	1	539639
33	Elbow connector - Regulator outlet	1	541649
34	Pipe - Regulator to control valve	1	541659
35	Control valve	1	541669
36	Locknut	1	502739
37	Connector - Control valve inlet	1	541679
37A	Control valve and inlet connector	1	542199
38	Thermostat unit	1	541689
39	"T" connector - Thermostat outlet	1	541699
40	Connector - Thermostat inlet	1	539639
41	Pipe - Control valve to thermostat	1	541709
42	Pipe - Thermostat to front burner	1	541719
43	Pipe - Thermostat to rear burner	1	541729
44	Pipe - Control valve to pilot connector	1	541739
45	Thermostat control knob	1	541749
46	Gas control valve knob	1	541759
47	Inlet baffle & log support unit	1	524249
48	Rear log support	1	524259
49	Front log support	2	524269
50	Heat baffle	1	524729
51	Rear burner	1	524279
52	Air shutter	1	523079
53	Front burner & air shutter	1	524289
54	Air shutter	1	524299
55	Knurled screw	2	539799
56	Air duct back	1	542129

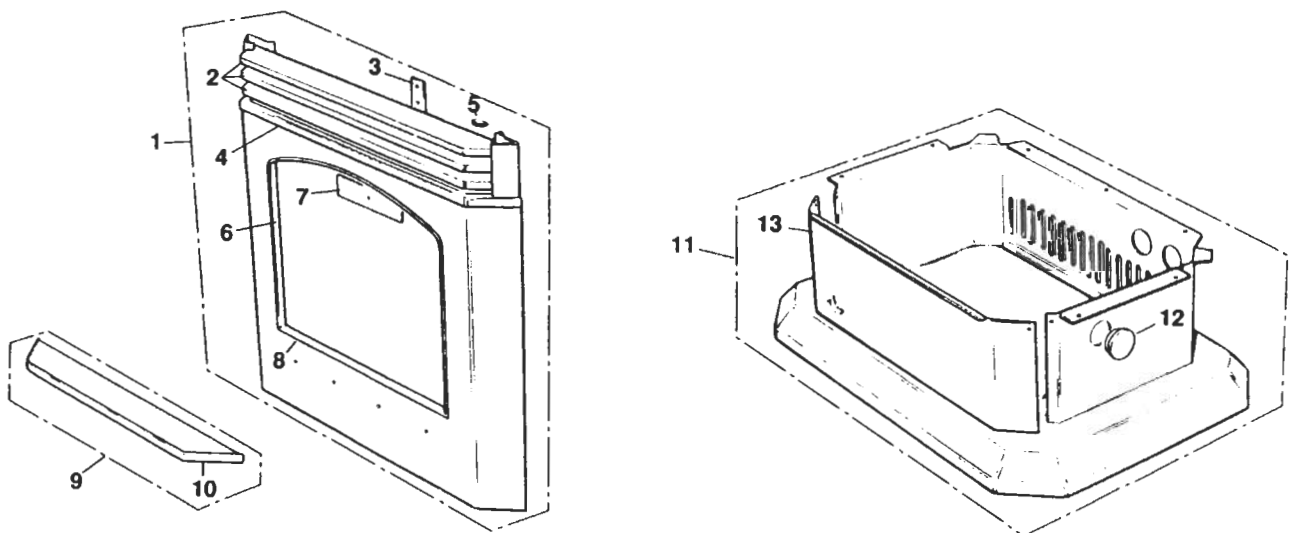
936RTN Rear vent main unit			
KEY	DESCRIPTION	QUANTITY	PART #
57	Seal	2	514709
58	Seal	2	524309
59	Inlet collar	1	524739
60	Seal	1	524329
61	Fire box front	1	524389
62	Seal	2	524399
63	Seal	1	524409
64	Threaded stud	1	549319
65	set of ceramic logs	1	523199
66	Rear log	1	520869
67	Front log	1	523209
68	Cross log	1	520889
69	Front ceramic strip	2	524439
70	Window unit	1	524449
71	Location screw	8	522219
72	Knurled nut	1	524469
73	Case base	1	541789
74	Case rear	1	542139
75	Case left side	1	541809
76	Thermostat capillary shield	1	541819
77	Case top	1	542149
78	Top panel heat shield	1	542159
79	Control mounting panel	1	541839
80	Case right side & door catch	1	541849
81	Control panel cover	1	541859
82	Controls access door	1	541869
83	Door handle	1	541879
84	Door retaining bracket	1	541889
85	Wall plate	2	541929
86	Set of ceramic walls	1	524479
87	Ceramic back wall	1	524489
88	Ceramic side wall - right side	1	524499
89	Ceramic side wall - left side	1	524509
90	Supply inlet pipe	1	541959
91	Supply inlet elbow	1	548899
-	Instruction manual	1	542169



903VKT Top vent unit parts



904VKR Rear vent unit parts



901FKP Plinth & fascia unit parts

903VKT Top vent unit			
KEY	DESCRIPTION	QUANTITY	PART #
1	Vent unit -Appliance end (Elbow)	1	541969
2	Vent terminal	1	541979
3	Sealing tape	1	541989
4	Masking collar - Vent joint	1	541999
5	Outer vent shield tube	1	52469

904VKR Rear vent unit			
KEY	DESCRIPTION	QUANTITY	PART #
1	Vent terminal	1	542189
2	Outer vent shield tube	1	524789

901FKP Facia & pedestal unit			
KEY	DESCRIPTION	QUANTITY	PART #
1	Facia unit	1	542009
2	Air outlet louver	3	542019
3	Louver brace	1	542029
4	Facia top trim	1	542039
5	Spring clip	4	553579
6	Facia aperture top & side trim	1	542049
7	Facia top heat shield	1	542059
8	Facia aperture bottom trim	1	542069
9	Ashlip unit	1	542079
10	Ashlip trim	1	542089
11	Pedestal unit	1	542099
12	Fan access cap	1	510599
13	Pedestal front panel	1	542109