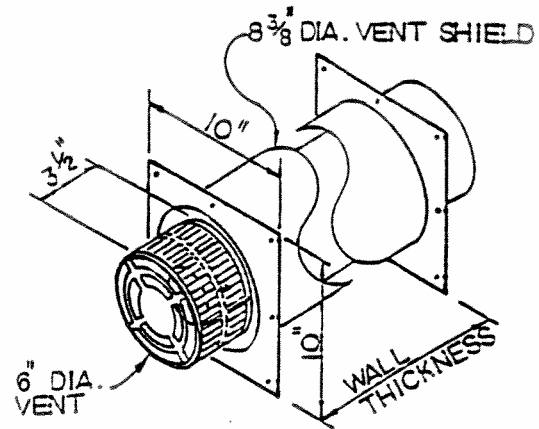
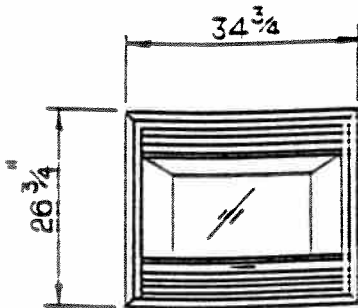


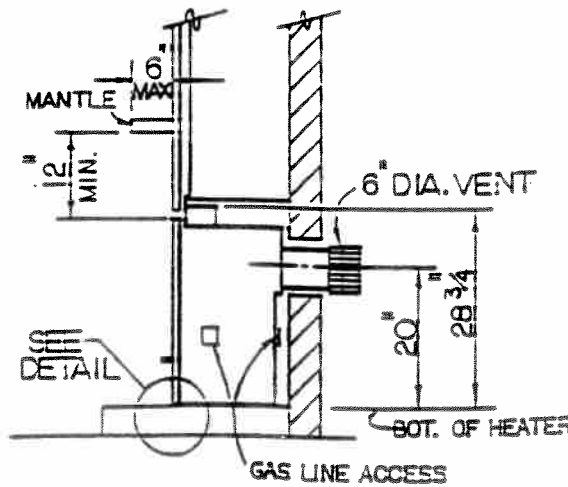
**ROUGH FRAMING
DIMENSIONS**



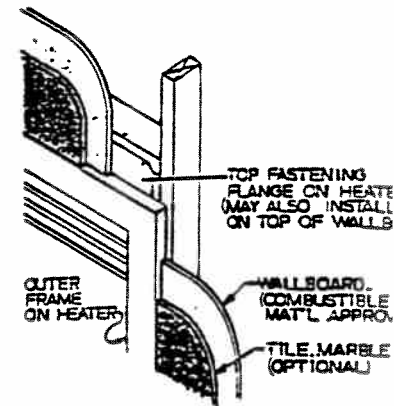
VENT TERMINAL



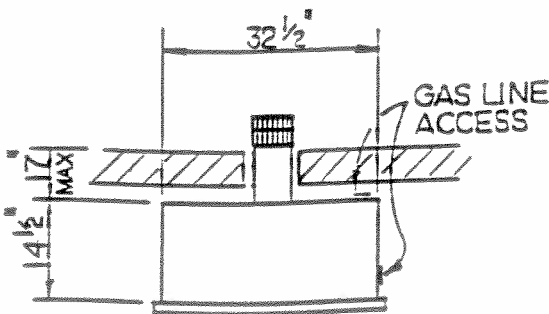
FRONT VIEW



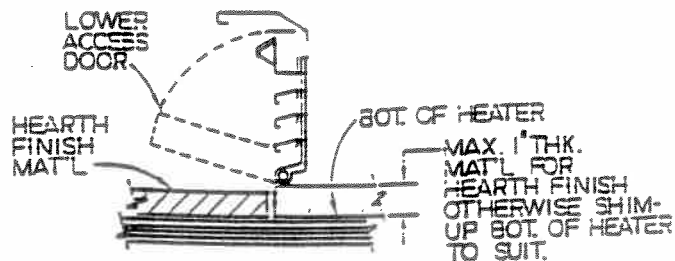
SIDE VIEW



**SUGGESTED
WALL FINISH DETAIL**



TOP VIEW



HEARTH FINISH DETAIL

NOTES

1. Heater installs at framing stage before wall finishes are applied.
2. Finished hearth height should be established before heater installation.
3. A # 235 Terminal Guard is required to install over the vent terminal in most areas where vent terminals are accessible to persons.
4. For acceptable vent terminal locations refer to separate spec sheet.
5. For extended horizontal vent lengths beyond those shown for this direct vent heater we recommend the Legend model 736 heater using a model 720 power venting kit.