



Valor Legend

MODEL 836 CNR
DIRECT VENT FIREPLACE
(With Rear Vent)



REPAIR PARTS LIST

Manufactured by

VALOR HEATING

ERDINGTON ■ BIRMINGHAM ■ ENGLAND

Distributed in Western Canada and the U.S.A. by

MILES INDUSTRIES LTD.

829 Third Street West, North Vancouver B.C. V7P 3K7
Ph. (604) 984-3496 Fax (604) 984-0246

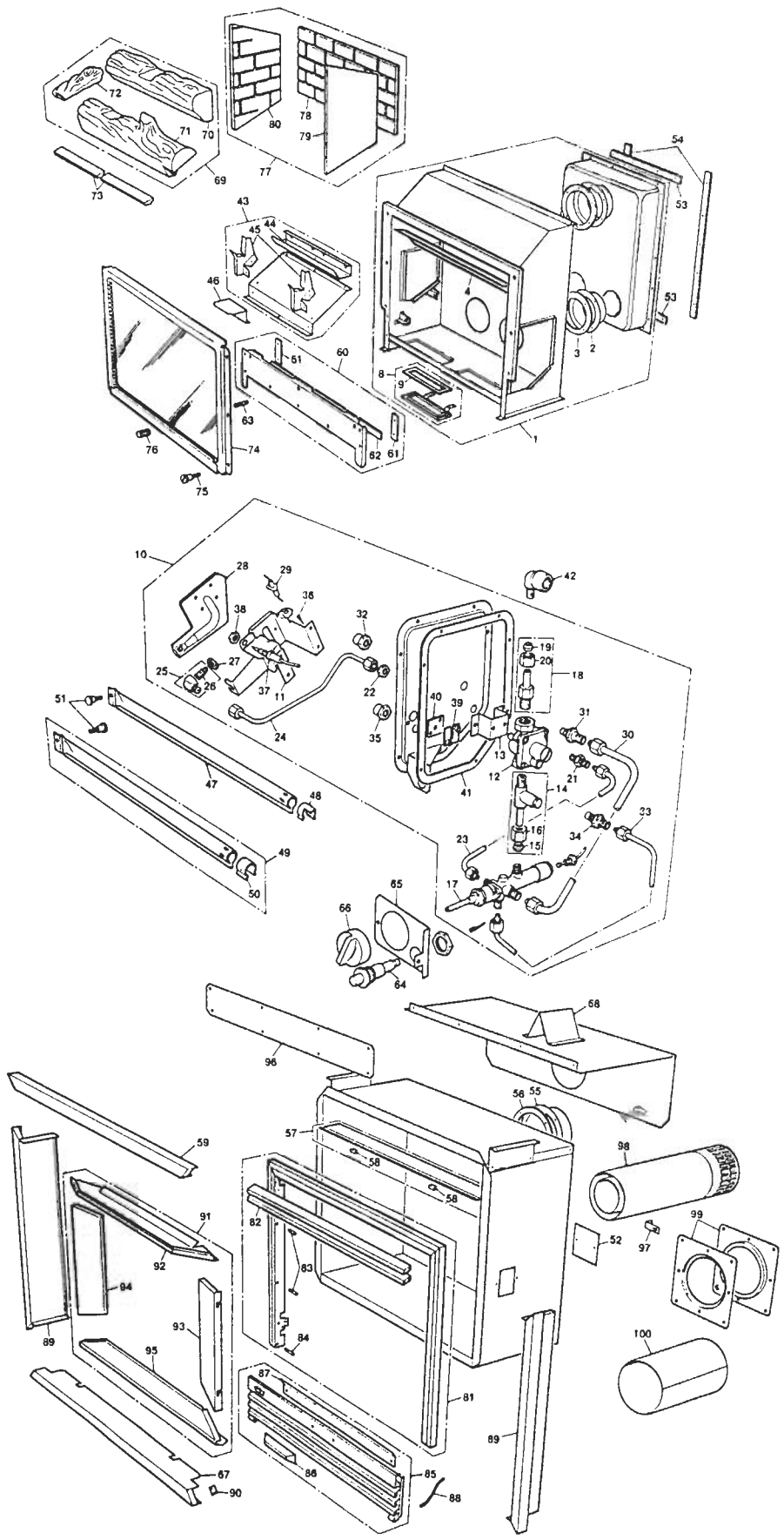
Distributed in Eastern Canada by

VALTECH HEATING LTD.

6660 Kennedy Road, Mississauga, Ontario, L5T 2M9
Ph. (416) 795-0333 Fax (416) 795-0336

Because our policy is one of constant development and improvement,
details may vary slightly from those given in this publication.

Vous pourrez vous procurer un exemplaire en langue Française de
cette chez brochure votre concessionnaire.



KEY NO.	DESCRIPTION	QUANTITY PER APPLIANCE	PART No.
1.	Fire Box	1	524709
2.	Transfer Port	2	523999
3.	Seal	2	524009
4.	Exhaust Port Cover	1	524049
5.	Collar & Air Duct Body Unit	1	524719
6.	Seal	2	524039
7.	Seal	1	524009
8.	Pressure Relief Unit	2	524089
9.	Pressure Relief Seal	2	524099
10.	Manifold Unit	1	524109
11.	Cross Lighting Bracket	1	522909
12.	Regulator	1	508199
13.	Regulator Bracket	1	524129
14.	Test Tapping Unit	1	521549
15.	Olive for Test Tapping Unit	1	519779
16.	Olive Nut for Test Tapping Unit	1	521559
17.	Control Valve	1	522939
18.	Inlet Connector Unit	1	523449
19.	Olive for Inlet Connector	1	519779
20.	Olive Nut for Inlet Connector	1	523389
21.	Connector-Pilot Pipes	1	524139
22.	Locknut	1	524149
23.	Pipe-Control Valve to Connector	1	524159
24.	Pipe-Connector to Pilot Elbow	1	524169
25.	Pilot Injector & Carrier	1	524179
26.	Pilot Injector	1	522969
27.	Locknut	1	524149
28.	Pilot & Cross Lighting Burner	1	522979
29.	Electrode	1	522989
30.	Pipe-Control Valve to Rear Burner	1	524189
31.	Injector	1	520709
32.	Injector Carrier	1	523019
33.	Pipe-Control Valve to Front Burner	1	524199
34.	Injector	1	523039
35.	Injector Carrier	1	523019
36.	Electrode Lead	1	524209
37.	Thermocouple	1	522999
38.	Locknut	1	547759
39.	Cover Plate	1	524219
40.	Seal	1	524229
41.	Seal	1	524239
42.	Inlet Elbow	1	523439
43.	Inlet Baffle & Log Support Unit	1	524249
44.	Rear Log Support	1	524259
45.	Front Log Support	2	524269
46.	Heat Baffle	1	524729
47.	Rear Burner	1	524279
48.	Air Shutter	1	523079
49.	Front Burner & Air Shutter	1	524289
50.	Air Shutter	1	524299

KEY NO.	DESCRIPTION	QUANTITY PER APPLIANCE	PART No.
51.	Knurled Screw	2	549109
52.	Cover Plate	1	520439
53.	Seal	2	514709
54.	Seal	2	524309
55.	Inlet Collar	1	524739
56.	Seal	1	524329
57.	Top Deflector	1	524749
58.	Edge Clip	2	553579
59.	Outer Surround - Horizontal Channel	1	524379
60.	Fire Box Front	1	524389
61.	Seal	2	524399
62.	Seal	1	524409
63.	Threaded Stud	1	557569
64.	Ignition Spark Generator	1	554909
65.	Control Bracket	1	524419
66.	Control Knob	1	520799
67.	Outer Surround - Horizontal Channel	1	524379
68.	Spacing Channel	2	524429
69.	Set of Ceramic Logs	1	523199
70.	Rear Log	1	520869
71.	Front Log	1	523209
72.	Cross Log	1	520889
73.	Front Ceramic Strip	2	524439
74.	Window Unit	1	524449
75.	Location Screw	8	522219
76.	Knurled Nut	1	524469
77.	Set of Ceramic Walls	1	524479
78.	Ceramic Back Wall	1	524489
79.	Ceramic Side Wall - Right Side	1	524499
80.	Ceramic Side Wall - Left Side	1	524509
81.	Front Frame Unit	1	524519
82.	Upper Outlet Louvre	1	524529
83.	Inner Front Support Stud	4	520919
84.	Bottom Grille Hinge Stud	2	520929
85.	Bottom Grille Unit	1	524539
86.	Handle	1	524549
87.	Bottom Grille Heat Baffle	1	524559
88.	Bottom Grille Retaining Chain	2	520949
89.	Side Channel	2	524569
90.	Edge Clip	4	553579
91.	Inner Front Unit	1	524579
92.	Top Cross Member - Inner Front	1	524589
93.	Right Side - Inner Front	1	524599
94.	Left Side - Inner Front	1	524609
95.	Apron - Inner Front	1	524619
96.	Securing Plate - Top Front	1	524629
97.	Vent Securing Bracket	2	506619
98.	Vent Unit	1	524779
99.	Wall Plate	2	524679
100.	Outer Vent Shield Tube	1	524789
-	Instruction Manual	1	524759