



#770 ZERO CLEARANCE KIT

INSTALLATION INSTRUCTIONS

May 2004

Approved for use only with
VALOR LEGEND G3 MODEL 738

1. GENERAL

Model 770ZCK zero clearance kit must be used when installing heater Model 738 into an enclosure constructed of combustible material and connected to an approved 4" dia type 'B' vent.

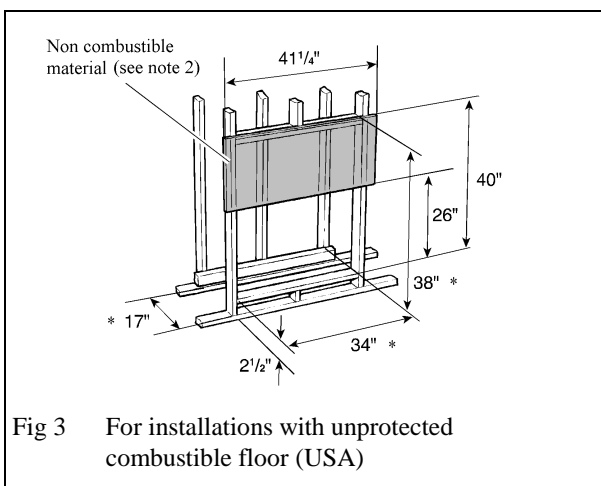
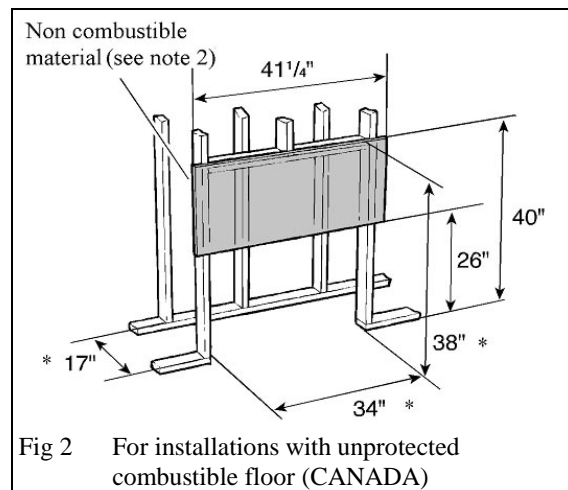
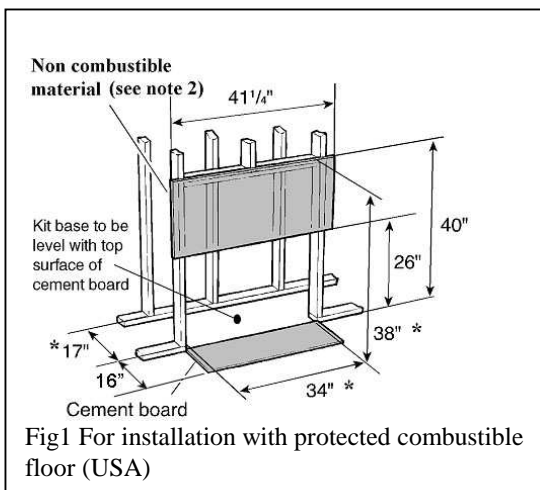
This zero clearance kit has been designed to act as a "rough in" box, with the 738 fitted and/or purchased after the walls and hearth have been finished

2. FRAMING.

Minimum clearances to combustible materials and framing details are shown in fig.1, 2 and 3.

Though not always mandatory, we recommend that a hard surfaced hearth area be maintained in front of the fireplace for both aesthetic and maintenance purposes. This may be finished in brick, ceramic tile, marble, etc. Raising the hearth slightly will help to minimize dust and lint accumulation under the unit.

To enable the heater to be installed correctly the height of the finished hearth must be known before installing this kit, please note that the bottom of the kit must be installed at the planned finished hearth height (including tile etc.).



Notes:

1) Where it is not mandatory to protect the combustible floor, we recommend that carpet, soft vinyl floor coverings, etc., not be placed within the hearth area shown in Fig. 1, as these type of finishes may be damaged due to the high radiant output from this appliance.

2) The non-combustible material must be added after kit is installed.

3) The dimensions marked "*" are the minimum framing size.

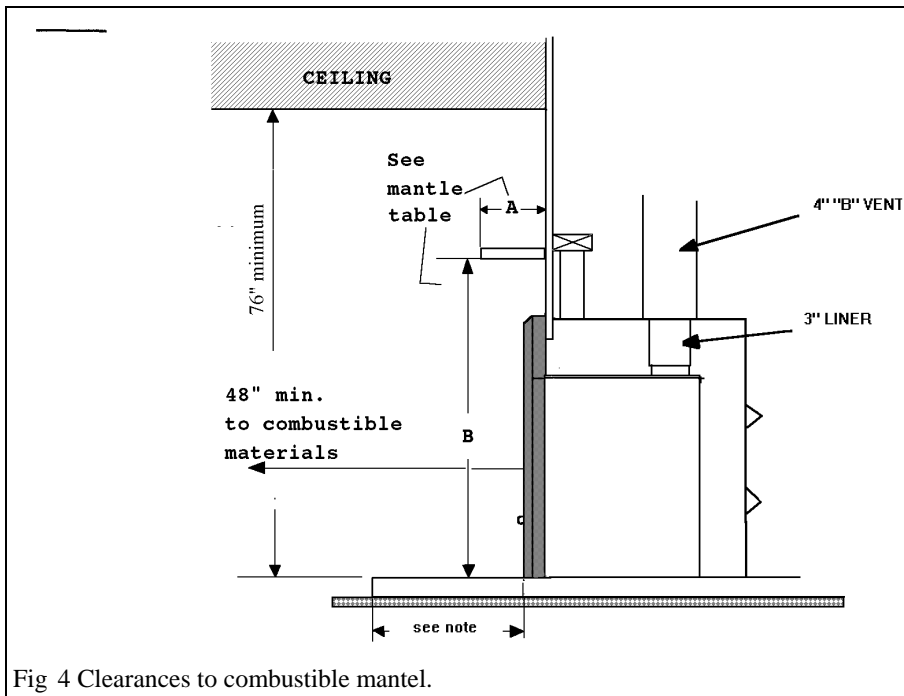


Fig 4 Clearances to combustible mantel.

MANTLE DEPTH "A".	1"	2"	4"	6"	8"	10"	12"	14"
CLEARANCE FROM BASE OF HEATER "B".	28"	29-3/8"	32"	33-1/2"	35"	36"	36-1/2"	38"

NOTE: For Hearth requirements see figs 1-3.

3. ZERO CLEARANCE KIT COMPONENTS

The complete #770ZCK contains the following:

- 1 rear panel with standoffs.
- 1 top panel with vent clamping collars.
- 2 side panels with standoffs.
- 1 base panel.
- 2 top standoffs.
- 2 - 3" Dia. gear clamps.
- 1 - 3" diameter flue collar.
- 1 - 4" diameter flue collar.
- 1 - 10" long piece of 3" flex. Liner.
- 1 screw package.

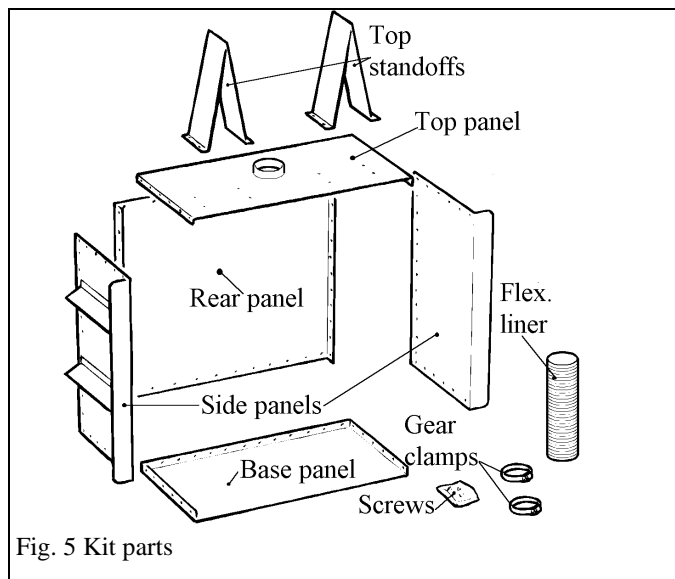
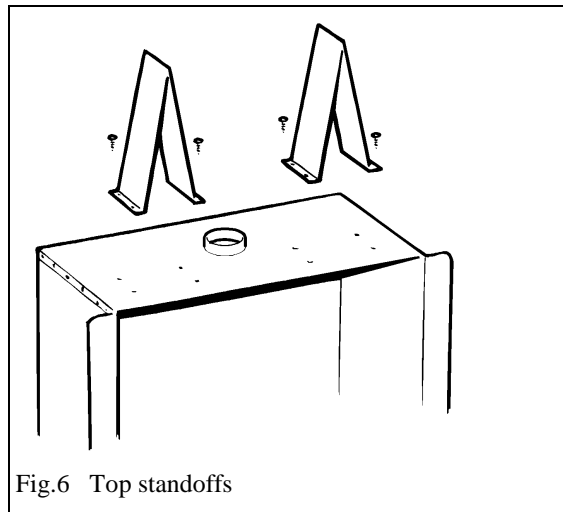


Fig. 5 Kit parts

• **4. ASSEMBLE THE ZERO CLEARANCE KIT**

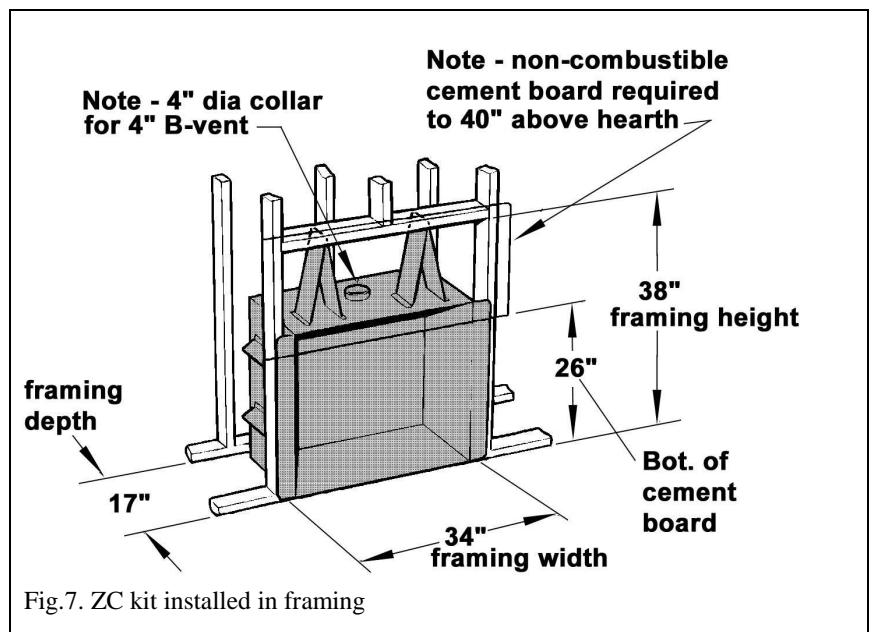
- Assemble the outer panels, rear, two sides, top and base panels, to form the zero clearance box, using the screws provided, (see fig 5)
- Secure the standoffs to the top, (fig 6).
- Secure 4" diameter flue collar to the top of the box and the 3" diameter collar to the underside of the top panel.



• **5. SECURE THE ZERO CLEARANCE KIT TO THE FRAMING**

- The kit is secured to the framing using the flanges on the sides of the kit.(see fig. 7)
- Attach the 3" flex liner to the 3" flue collar, located on the underside of the top panel, using one of the gear clamps provided.
- Connect a 4" diameter type 'b' vent to the flue collar on top of the zero clearance kit and clamp the vent to the zero clearance kit with the clamp provided. Install the vent in accordance with local codes and authorities have jurisdiction while ensuring vertical rise is achieved as soon as possible from the heater and horizontal offsets must be kept to a minimum.
- All wall and hearth finishes are now be applied.

NOTE: For Hearth requirements see figs 1-3.



The unit can now be installed exactly as in a masonry fireplace, see 738 installation and owner's manual.

Please note that the second gear clamp, supplied with the zero clearance kit, is to secure the 3" flex. vent to the vent connector unit.

PLEASE LEAVE INSTALLATION AND OPERATING INSTRUCTIONS WITH THE HOMEOWNER.

LIMITED WARRANTY POLICY

Miles Industries Ltd. warrants all components of the model 770 zero clearance kit for a period of two years from the date of purchase, against defects in materials or workmanship. This warranty covers only the cost of defective parts and applies only to the original consumer purchaser. The replacement of defective parts by Miles Industries Ltd. will be without charge during the warranty period. This warranty does not extend to (1) components damaged by accident, neglect, misuse, abuse, alteration, and negligence of others, including the installation thereof by unqualified installers' (2) the costs of removal, reinstallation or transportation of defective parts or (3) incidental or consequential damages.

THIS WARRANTY IS EXPRESSLY IN LIEU OF ALL OTHER WARRANTIES, EXPRESSED OR IMPLIED, INCLUDING THE WARRANTY OF MERCHANTABILITY OF FITNESS FOR PURPOSE AND OF ALL OTHER OBLIGATIONS OR LIABILITIES. MILES INDUSTRIES LTD DOES NOT ASSUME, NOR HAS IT AUTHORIZED ANY PERSON INCLUDING ITS SALES REPRESENTATIVES TO ASSUME FOR IT, ANY OTHER OBLIGATION OR LIABILITY IN CONNECTION WITH THE SALE OR USE OF THE MODEL 770 ZERO CLEARANCE KIT.

The model 770 zero clearance kit must be installed by a qualified installer in accordance with the instructions furnished. The defective components should be returned at your expense to the dealer from where the product was purchased or authorized service agent. Any components returned for warranty repair/replacement must be accompanied by the sales invoice evidencing proof of purchase and date of purchase. Miles Industries Ltd. reserves the right to repair and return any defective component.

Manufactured and distributed in Western Canada and USA by

**Miles Industries Ltd.
829 West Third Street, North Vancouver B.C, CANADA, V7P 3K7
Ph. (604) 984-3496 Fax (604) 984-0246**

Distributed in Eastern Canada by

**Valtech Industries Ltd.
6660 Kennedy Road, Mississauga Ontario, L5T 2M9
Ph. (905) 795-0333 Fax. (905) 795- 0336**

Copyright 1996