

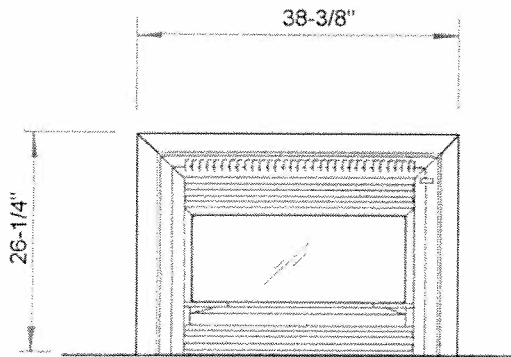


# Model 737X Legend Ultra

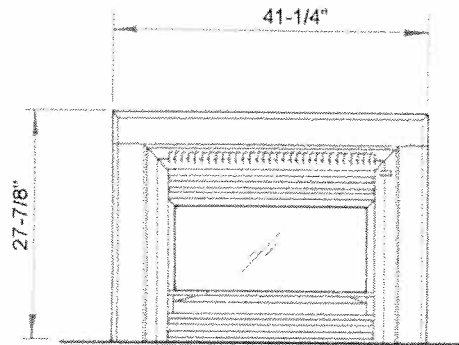
## Insert Application

### Dimensions and Clearances

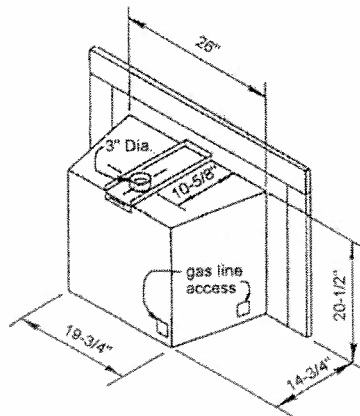
May 2000



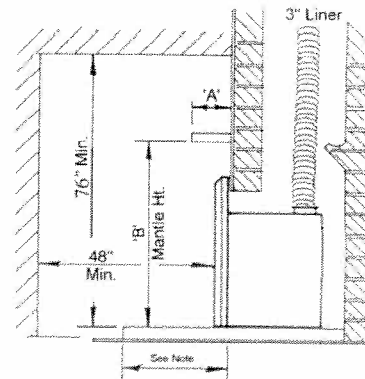
**FRONT VIEW 778/779FSK TRIM**



**FRONT VIEW 777FSK TRIM**



**INSERT DIMENSIONS**



**SIDE VIEW**

	'A' Mantle Depth							
	1"	2"	3"	4"	5"	6"	7"	
'B' mantle height	38"	40"	41"	43"	45"	47"	49"	Without 771CRB
'B' mantle height	28"	28"	28"	28"	29"	30"	31½"	With 771CRB

**Notes:**

- Unit as shown must be recessed into a non-combustible fireplace cavity (masonry or factory built). A Model 770ZCK Zero Clearance Kit is required when installing into combustible construction.
- Gas inlet is located on the left hand side and is 3/8"N.P.T.F. Max. inlet pressure is 10.5" W.C.
- Flue collar size is 3" diameter.
- Optional Model 796CFK Circulating Fan Kit with 6' power cord is available.
- In the USA it is mandatory that a hard surfaced non-combustible hearth area must be maintained at least 16" in front of the fireplace. This may be finished in brick, ceramic tile, marble, etc. Raising the hearth slightly will help to minimize dust and lint accumulation under the unit. In Canada, though not mandatory, we recommend that carpet, soft vinyl or other combustible floor coverings are kept at least 16" from the front of the furnace since these types of materials may be affected by the high radiant heat output from this appliance.

