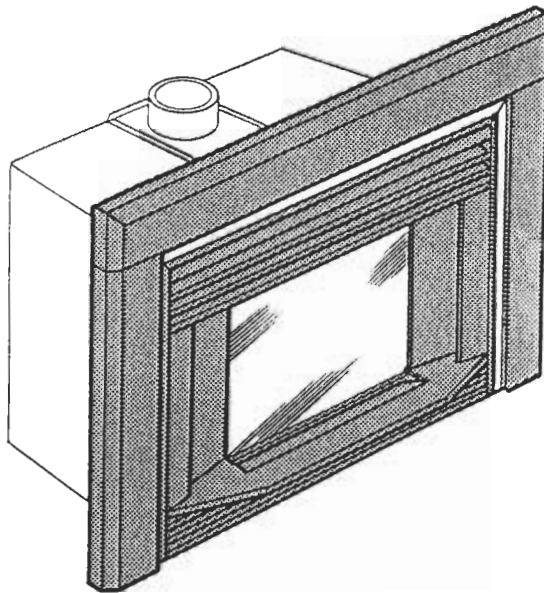


valor Legend

MODEL 736CN

FOR USE WITH NATURAL GAS



INSTALLERS & OWNERS MANUAL

INSTALLER - PLEASE LEAVE THIS MANUAL WITH THE OWNER

FOR YOUR SAFETY

Do not store or use gasoline or other flammable vapors and liquids in the vicinity of this or any other appliance.

WARNING: Improper installation, adjustment, alteration, service or maintenance can cause injury or property damage. Refer to this manual. For assistance or additional information consult a qualified installer, service agency or the gas supplier.

FOR YOUR SAFETY

WHAT TO DO IF YOU SMELL GAS

- Open windows.
- Do not try to light any appliance.
- Do not touch any electrical switches.
- Do not use any phone in your building.
- Extinguish any open flame.
- Immediately call your gas supplier from a neighbor's phone. Follow the gas supplier's instructions.
- If you cannot reach your gas supplier, call the fire department.

CAUTION

Due to high temperatures, the appliance should be located out of traffic and away from furniture and draperies.

Children and adults should be alerted to the hazards of high surface temperatures and should stay away to avoid burns or clothing ignition.

Young children should be carefully supervised when they are in the same room as the appliance.

Clothing or other flammable material should not be placed on or near the appliance.

The glass and front frame must be put back in place prior to operating the appliance if they have been removed for servicing or cleaning.

This appliance should be installed and repaired by a qualified service person.

The appliance should be inspected before use and at least annually by a professional service person. More frequent cleaning may be required due to excessive lint from carpeting, bedding material, etc. It is imperative that control compartments, burners and circulating air passageways of the appliance be kept clean.

Keep curtains, clothing, furniture and other flammable materials at least 36ins. (900mm) from the front and top of the appliance.

Keep the appliance area well clear and free from combustible materials, gasoline and other flammable vapors and liquids.

Never attempt to burn paper or any other material in the appliance.

Keep area in front of bottom grill clear to prevent obstruction of air flow to appliance for combustion.

This appliance requires a source of fresh air in order to vent properly. The venting system should be checked periodically.

Recent trends in home improvement and new tighter construction techniques have contributed to problems with venting. If you suspect that your appliance is not venting properly, do not operate and seek expert advice.

Do not use this appliance if any part has been under water. Immediately call a qualified service technician to inspect the appliance and to replace any part of the control system and any gas control which has been under water.

If any changes are made to the room construction in the vicinity of the appliance after installation (e.g. additional mantle etc.), make sure that such changes conform to the installation requirements in this manual.

When equipped with the optional circulating fan kit (Part # 710CFK), the appliance must be installed and electrically grounded in accordance with local codes or, in the absence of local codes, with the latest edition of the National Electrical Code ANSI/NFPA 70 (in U.S.A.) OR CSA C22-1 Canadian Electrical Code.

NOTE

On first lighting your new appliance there may be a slight odor and the appearance of a slight amount of vapor. This is normal with new appliances. It is not harmful and will disappear within a short time.

1. INSTALLATION INSTRUCTIONS

1.1 GENERAL

This appliance can be installed either:

- (i) As an insert in an existing solid fuel type fireplace with a chimney and 4" dia. liner (see fig. 1).

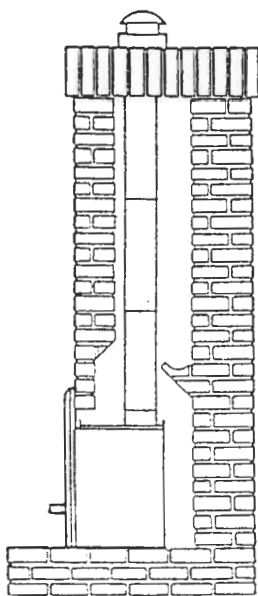


Fig. 1 FIREPLACE WITH LINER

The fireplace must be built in accordance with the national, state, provincial or territorial building code recognised by the authority having jurisdiction, or in the absence of such a code, in accordance with the National Building Code of Canada or the National Fire Protection Association code in the U.S.A. The size of the fireplace recess must be sufficient to accommodate the appliance case as shown in fig. 2.

The chimney must be swept and both chimney and fireplace checked for soundness before installation of the appliance.

The liner must be a type approved by the enforcing authority and installed in accordance with the manufacturers instructions.

- (ii) As a zero clearance installation fitted with the optional Part # 700ZCK kit, the appliance may be installed into a minimum sized enclosure constructed of combustible building materials and connected to an approved type "B" vent. This kit (complete with full installation details) is available from your dealer.

Installation must conform with local codes or, in the absence of local codes, with the current CAN/CGA1-B149 Installation Code in Canada or the current National Fuel Gas Code, ANSI Z223.1 in the U.S.A. Only qualified (licensed or trained) personnel should install the appliance.

This appliance is not intended for use with a thermostat.

1.2 OPTIONAL ACCESSORIES

The following kits can be used with this appliance:-

- (i) # 700ZCK Zero Clearance Kit - required for use with a new zero clearance type installation (see General Installation section above).
- (ii) # 710CFK Circulating Fan Kit.

Full installation and operating instructions are supplied with the kits.

For full details about these kits, contact your dealer.

1.3 SUPPLY GAS

This appliance is for use only with Natural Gas. The supply pressure at the appliance inlet connection should be not less than 5" w.c. and not more than 8" w.c. Connection to the appliance is $\frac{3}{8}$ " NPT.

1.3.1. Gas Feed Line

The supply gas feed line should enter the appliance through one of the openings in the appliance case. Openings are provided at the back and right side (see fig. 4). See section 4 for gas supply connection details.

1.4 CLEARANCES TO COMBUSTIBLE CONSTRUCTIONS

The minimum clearances from any combustible constructions at the front of the appliance are shown in fig. 2. These front clearances apply for all installations - whether in solid fuel fireplace or new zero clearance construction.

If it is intended to fit the appliance in a combustible recess, the Zero Clearance Kit # 700ZCK (available from your dealer) must be used as shown in fig. 3.

1.5 FLOOR

The floor in the fireplace recess must be sufficiently flat and level to support the appliance satisfactorily. Some fireplace constructions have a well in the floor at the back which may need to be filled in.

Do not place the appliance on carpeting, vinyl or other soft-surfaced floor coverings. Install only on hard surfaced materials.

We recommend that a hard surfaced hearth area be maintained at least 12" in front of the fireplace for both aesthetic and maintenance purposes. This may be finished in brick, ceramic tile, marble etc. Raising the hearth slightly will help to minimise dust and lint accumulation under the unit.

If the appliance is installed directly on any combustible material other than wood flooring, the appliance shall be installed on a metal or wood panel extending the full width and depth of the appliance.

1.6 APPLIANCE PACK CONTENTS

The pack contains:-

- 1 Appliance fitted with front unit.
- 3 Ceramic Logs.
- 1 Pair ceramic firebox side walls.
- 1 Ceramic firebox back wall.
- 2 Outer surround side channels.
- 1 Outer surround top channel.
- 1 Bag of screws, nuts and washers for outer surround fixing.

Take care when removing the contents from the packaging to prevent damage. Check that all the contents are in the pack and are undamaged.

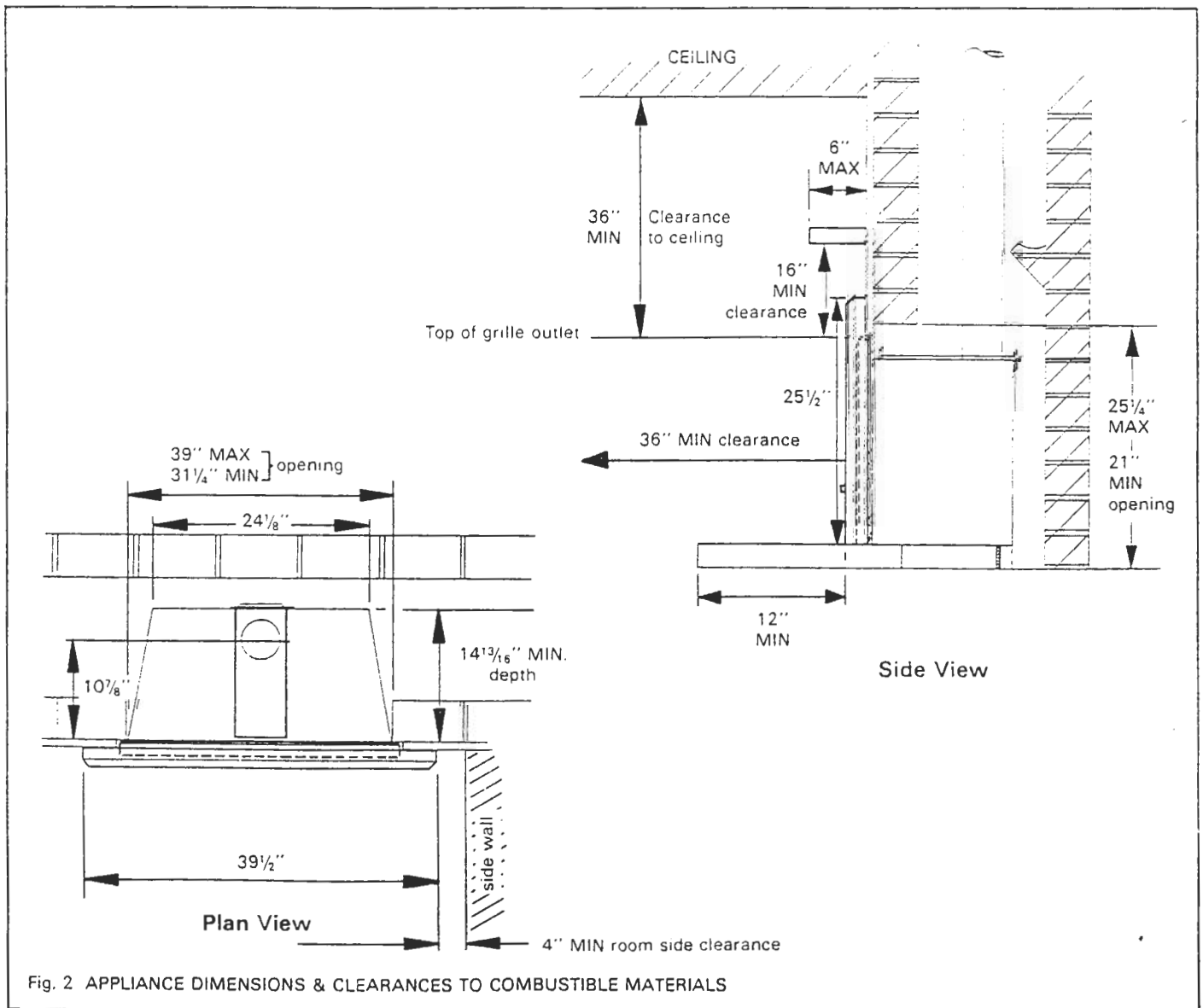


Fig. 2 APPLIANCE DIMENSIONS & CLEARANCES TO COMBUSTIBLE MATERIALS

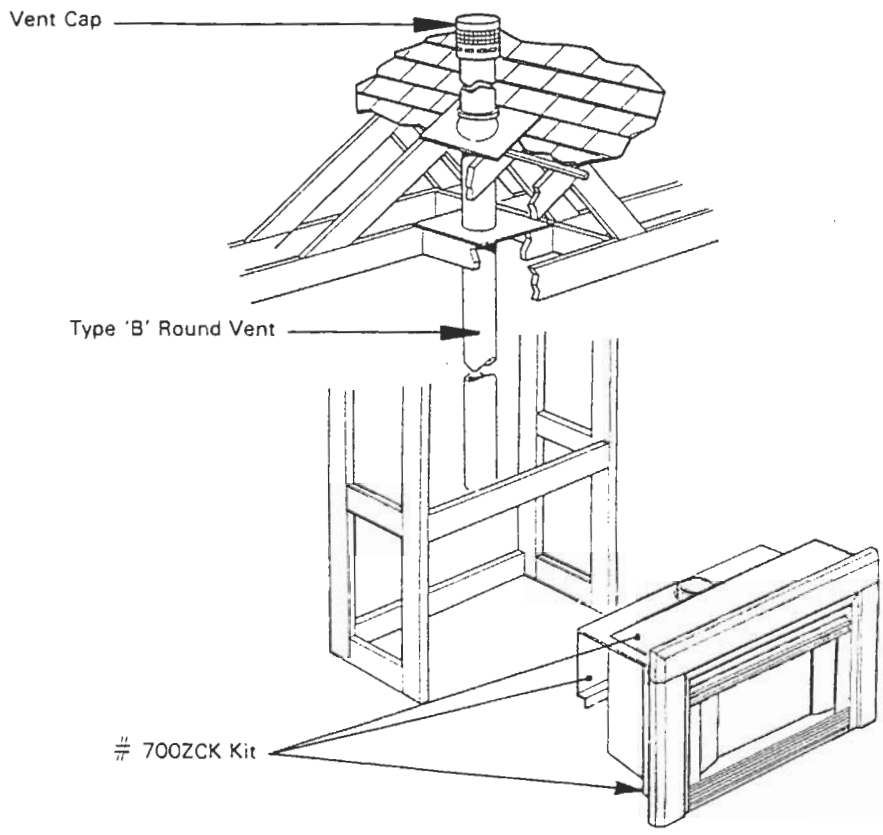


Fig. 3 NEW ZERO CLEARANCE INSTALLATION

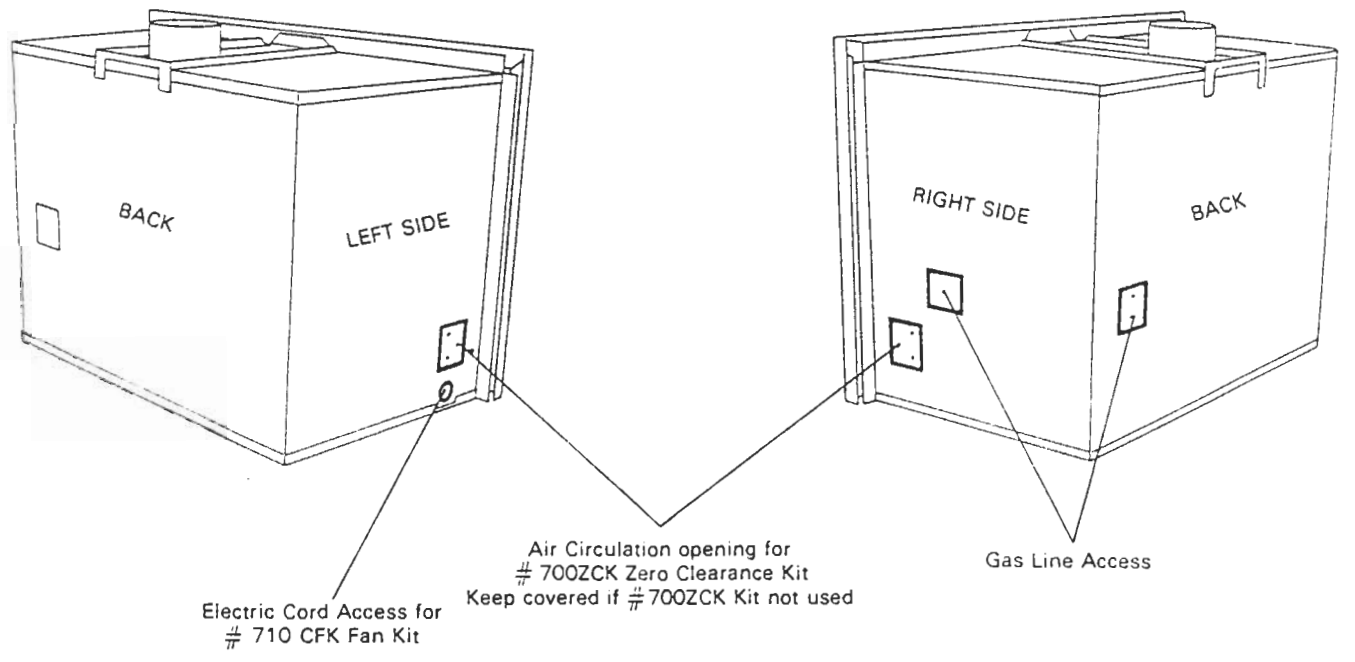


Fig. 4 OPENINGS IN CASE

2. INSTALLING IN EXISTING FIREPLACE

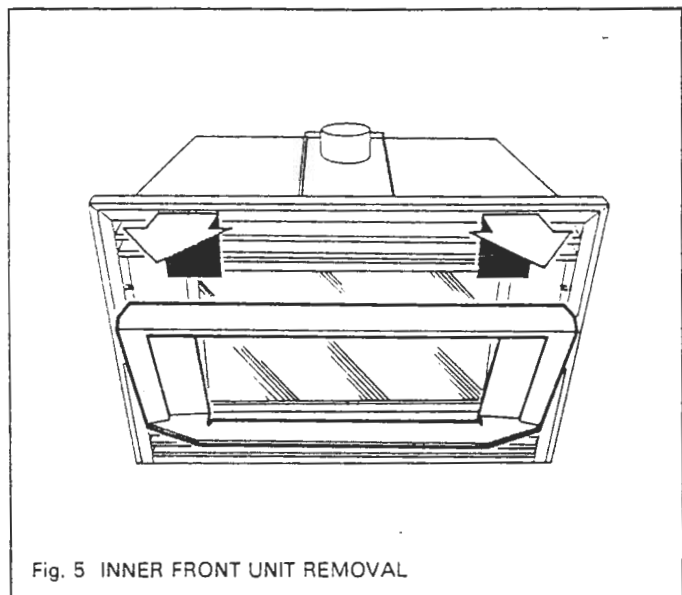
2.1 PRE-INSTALLATION PREPARATION

2.1.1. Closing Large Fireplace Openings

This appliance is suitable for fireplace openings from 21" to 25 $\frac{1}{4}$ " high and 31 $\frac{1}{4}$ " to 39" wide. For infilling larger fireplace openings the fireplace opening may be reduced or the outer surround plate extended provided non-combustible materials are used.

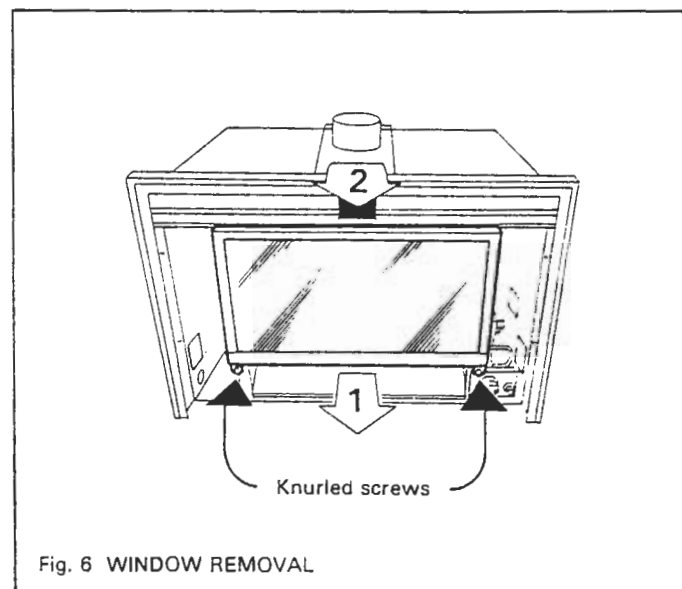
2.1.2. Remove Inner Front Unit

Unhook the inner front unit and lift clear (see fig. 5). Put the unit in a safe place.



2.1.3. Remove Window and Logs (See Fig. 6)

2.1.3.1 Detach the window unit by removing the two knurled screws situated at the bottom corners of the unit.

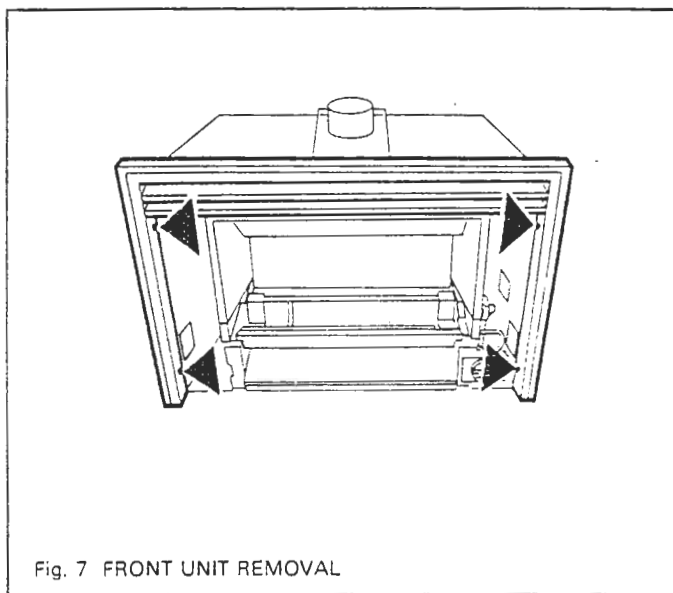


2.1.3.2 Lift the window unit up and forwards to unhook the top. Put the window in a safe place.

2.1.3.3 Take the ceramic parts out of the firebox and store in a safe place.

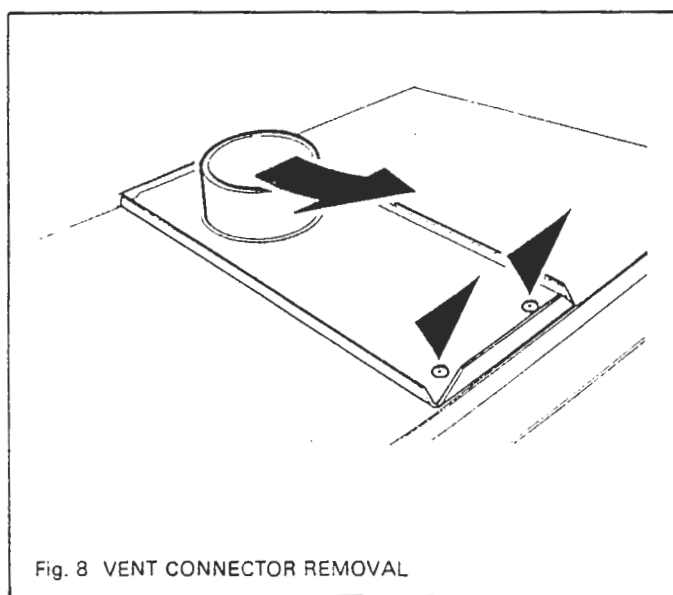
2.1.4. Remove Front Frame

Detach the front frame by unscrewing two screws each side. The lower screws are accessible when the bottom grill is opened (see fig. 7).



2.1.5. Remove the Vent Connection Unit

Detach the vent connection unit from the top of the appliance case by removing two screws and lifting the unit clear (see fig. 8).



2.1.6. Check Ignition Electrode Spark

Pilot ignition is by a spark produced when the ignition button (situated at the right side of the burner) is pushed in. Check that a spark is produced across the pilot burner when the button is pushed in. If there is no spark, check that the wiring is secure. Replace parts if necessary (see fig. 9).

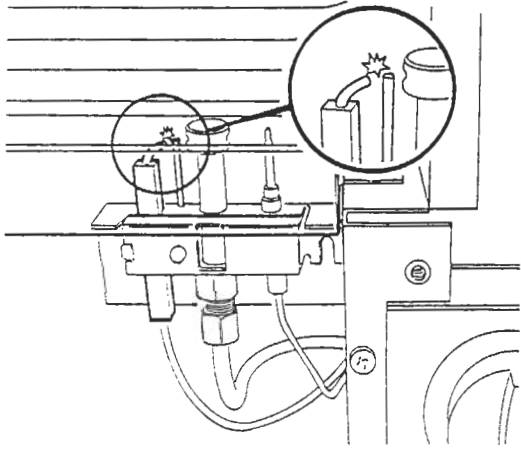


Fig. 9 PILOT IGNITION SYSTEM

2.2 INSTALL THE APPLIANCE

2.2.1. Connect the Chimney Liner

Connect the collar on the vent connector unit to the 4" diameter chimney liner.

2.2.2. Insert the Fire Unit

Slide the fire unit into the fireplace making sure that the vent connection unit is above the appliance case. Leave the case front a few inches clear of the fireplace front to allow you to fix the vent connector to the top of the case.

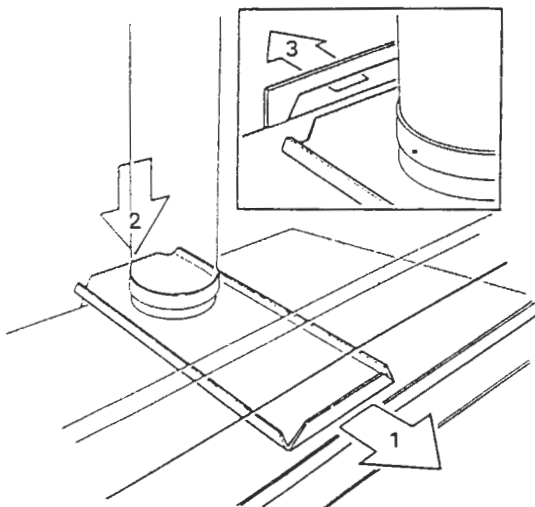


Fig. 10 VENT CONNECTION UNIT ATTACHMENT

2.2.3. Attach the Vent Connector

Locate the rear edge of the vent connector plate in the slot at top rear of the appliance case. Fix the front of the vent connector plate to the appliance case top using the two screws previously removed (see fig. 10).

2.2.4. Fit Outer Surround

2.2.4.1 Assemble the two outer surround sides to the top cross piece using the four nuts, screws and washers provided (see fig. 11).

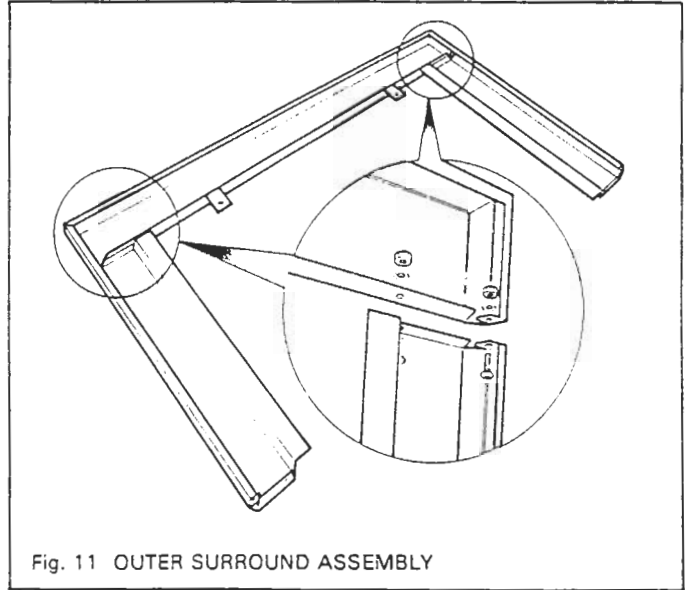


Fig. 11 OUTER SURROUND ASSEMBLY

2.2.4.2 Place the assembled outer surround in position against the heater. Secure to the heater front flanges with screws through the two brackets on the top cross piece and through two holes on the inner flanges of each of the surround sides (see fig. 12).

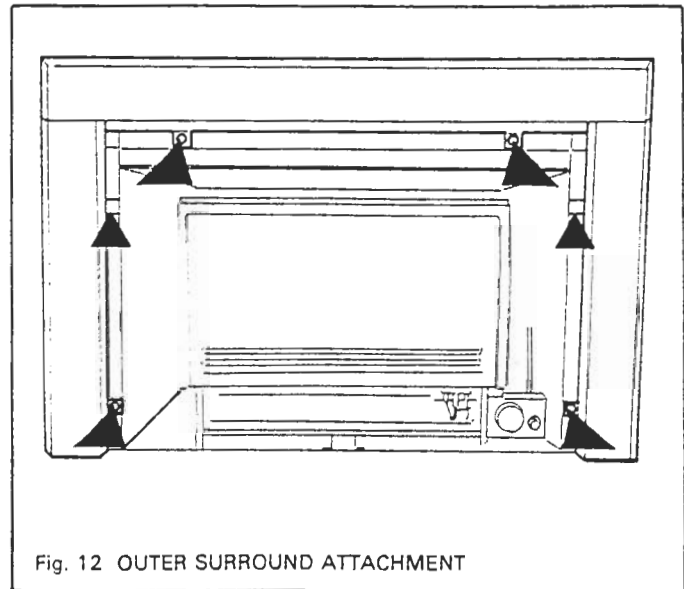


Fig. 12 OUTER SURROUND ATTACHMENT

2.2.4.3 Push the appliance fully home against the front face of the fireplace. Make sure that no sags or dips occur in the liner.

3. INSTALLING OPTIONAL ACCESSORIES

3.1 ZERO CLEARANCE INSTALLATION WITH KIT # 700ZCK (SUPPLIED SEPARATELY)

Accessory Kit # 700ZCK allows the appliance to be installed with a 4" diameter type "B" metal vent recessed into a wall or partition or in a chase (see fig. 3). For full details please contact your dealer.

Prepare the appliance and install in position in accordance with the instructions supplied with the kit.

3.2 # 710CFK CIRCULATING FAN KIT

If this fan is to be installed at the same time as the appliance, it will be most convenient to fit it at this stage (i.e. before the gas supply is connected).

Full installation instructions are supplied with the fan kit. In order to install this unit, the appliance burner module will have to be removed. Details of the removal method are described in the servicing section at the back of this manual.

4. CONNECT THE GAS SUPPLY

Openings for the gas supply line entry are provided at the back and right side (see fig. 4). The appliance is supplied with a plate covering the back opening. The opening at the right side for the supply line is uncovered as supplied. If the supply line is to enter through the back, remove the plate and refit it over the right side opening.

Note that the openings at the right and left sides of the case which are supplied covered with metal plates and the round opening at the left side of the case are for purposes other than supply line entry (see fig. 4). Do not run pipes through any of these openings.

Route the supply gas line to the inlet connector attached to the regulator inlet (see fig. 13).

Gas connection to the appliance is $\frac{3}{8}$ " NPT. Use only new black iron or steel pipes or copper tubing if acceptable - check local codes.

Unions in gas lines should be of ground joint type.

To allow easy removal of the burner module (and fan accessory, if fitted) for service access, a union joint should be provided immediately adjacent to the pressure regulator.

The gas supply line must be sized and installed to provide a supply of gas sufficient to meet the maximum demand of the appliance without undue loss of pressure. Sealants used must be resistant to the action of all gas constituents including L.P. gas. Sealants should be applied lightly to male threads to ensure excess sealant does not enter gas lines.

The supply line should include a manual shut-off valve and union in the line to allow the appliance to be disconnected for servicing.

A plugged $\frac{1}{8}$ " NPT tapping must be installed in the line. The tapping must be accessible for test gauge connection and be immediately upstream of the gas supply connection to the appliance.

All piping and connections must be tested for leaks after installation or servicing.

All leaks must be corrected immediately.

When testing for leaks:-

- Make sure that the appliance control knob is at the OFF position.
- Open the manual shut-off valve.
- Test for leaks by applying a liquid detergent or soap solution to all joints. Bubbles forming indicate a gas leak. NEVER USE AN OPEN FLAME TO CHECK FOR LEAK-
- Correct any leak detected immediately.

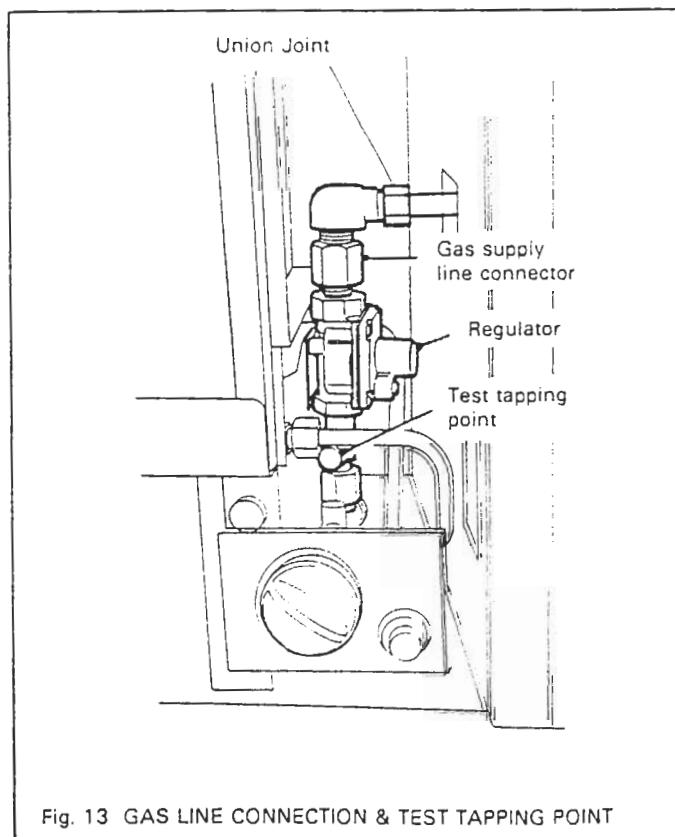


Fig. 13 GAS LINE CONNECTION & TEST TAPPING POINT

5. REFIT THE FRONT FRAME

Place the front frame back in position and attach to the appliance case with the four screws previously removed.

6. ASSEMBLE FUEL BED

6.1 Place the ceramic back wall in position at the back of the firebox. Make sure that the brick pattern is the right way up so that it will align with the side walls pattern (see fig. 14).

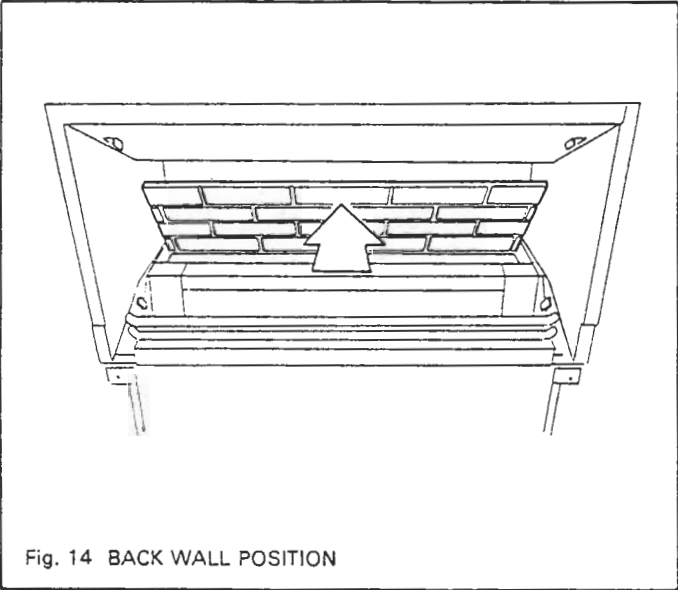


Fig. 14 BACK WALL POSITION

6.2. Place the ceramic side walls in position at the sides of the firebox. The sides are left and right handed. The sides should be held in position by the top and bottom angled brackets at the sides of the firebox (see fig. 15).

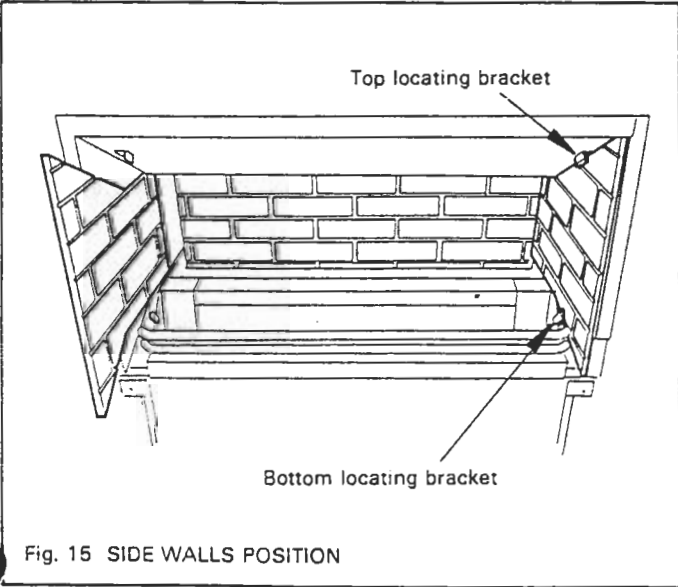


Fig. 15 SIDE WALLS POSITION

6.3 Place the rear log in the retaining brackets at the back of the firebox (fig. 16).

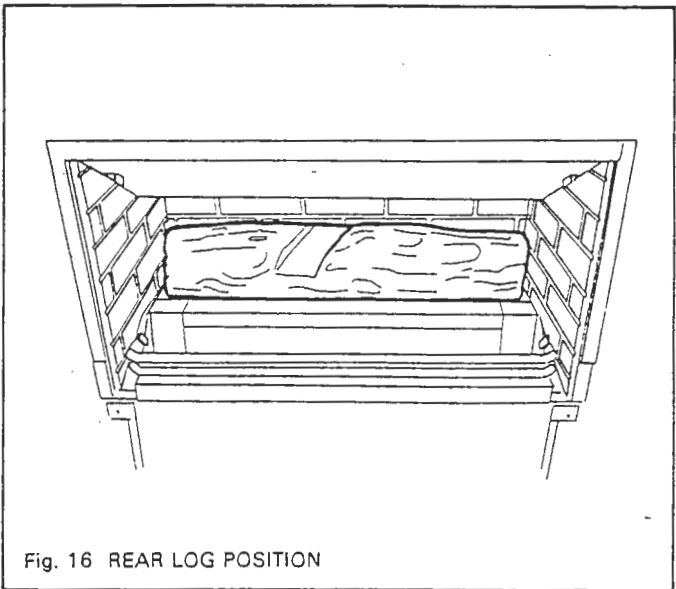


Fig. 16 REAR LOG POSITION

6.4 Place the front log in the retaining brackets towards the front of the firebox (fig. 17).

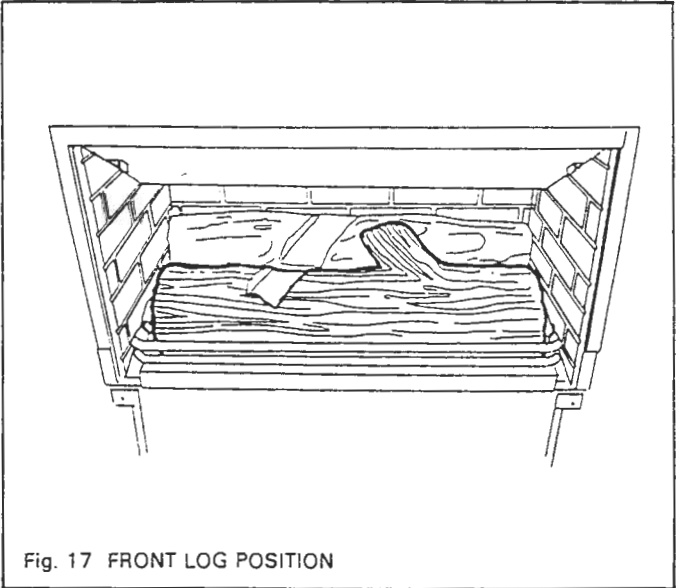


Fig. 17 FRONT LOG POSITION

6.5 Place the cross log in position (see fig. 18). The front of the log is indicated by the letter "F" embossed on its underside. Make sure that the front of the log is seated inside the hollow in the front log and is not raised in front of it.

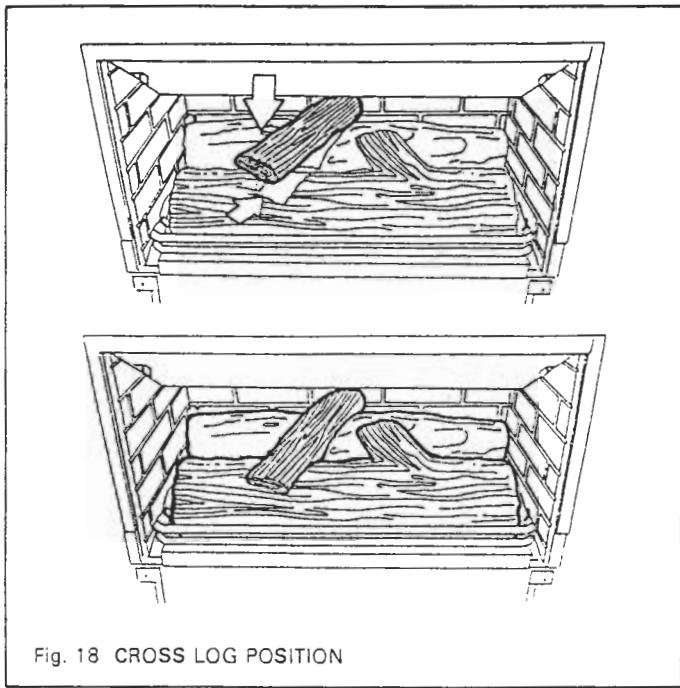


Fig. 18 CROSS LOG POSITION

7. REFIT WINDOW

- 7.1. Hook the top of the window frame over the firebox top front edge.
- 7.2. Secure the window unit in place by refitting the two knurled screws at the bottom corners of the unit.

8. CHECK OPERATION OF CONTROLS

Check ignition, and all control settings as described in the lighting instructions section further on in this manual.

9. CHECK SYSTEM PRESSURE

The appliance is preset to give the correct heat input with Natural Gas. For input adjustment, the gas supply pressure to the appliance inlet must be a minimum of 5" w.c. The maximum inlet gas supply pressure is 8" w.c.

The burner manifold pressure is controlled by a built-in nonadjustable regulator. The manifold pressure must be 4" w.c. and should be checked at the pressure test point which is located immediately downstream of the regulator (see fig. 13). The pressure check should be made with the appliance burning and the control set at position 3.

9.1 PRESSURE TESTING SUPPLY LINE

The appliance and its individual shutoff valve must be disconnected from the gas supply piping system during any pressure testing of that system at test pressures in excess of 1/2 psig (3.5kPa). The appliance must be isolated from the gas supply piping system by closing its individual manual shutoff valve during any pressure testing of the gas supply piping system at test pressures equal to or less than 1/2 psig (3.5kPa).

10. CHECK VENTING EFFICIENCY

A CHECK FOR CORRECT VENTING OF COMBUSTION PRODUCTS MUST BE MADE BEFORE THE INSTALLED APPLIANCE IS LEFT WITH THE CUSTOMER. THE TEST CAN BE MADE BEFORE REFITTING THE INNER FRONT UNIT BUT THE COALS AND WINDOW UNIT MUST BE IN POSITION. CHECK AS FOLLOWS.

- 10.1 Close all doors and windows in the room containing the appliance.
- 10.2 Ignite the pilot and set control at position no. 3.
- 10.3 Leave the appliance on for 15 minutes then light a smoke match and insert it inside the top opening of the appliance. Insert the match approximately 1 1/2" into the opening (see fig. 19).

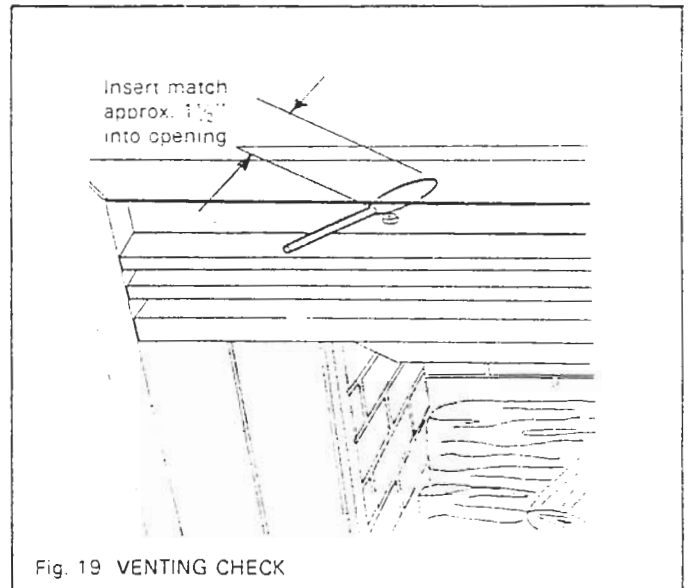


Fig. 19 VENTING CHECK

The installation is satisfactory if smoke is drawn into the appliance.

- 10.4 If the smoke is not drawn into the appliance inspect the sealing at the vent connection unit.
- 10.5 If sealing is satisfactory but smoke is still not drawn into the appliance, turn the unit off and check the vent system for cause of lack of draft. If necessary, seek expert advice. **DO NOT LET APPLIANCE BE OPERATED WITH INCORRECT VENTING.**
- 10.6 When the above check is found satisfactory, open all doors and windows and re-check as above. If an extractor fan is installed in the same room as the appliance or in a connecting room, check that venting is satisfactory with the fan operating and all doors between the fan and the appliance open.

11. AERATION ADJUSTMENT

Both front and rear burners are equipped with adjustable shutters to control primary aeration. The appliance is supplied with the upper air hole of the rear burner closed and both upper and lower holes of the front burner open. The shutters can be revolved to fully or partially close one of the air holes on each burner. For the majority of installations, no adjustment will be necessary. However, in certain installations (e.g. Low Btu value gas) it may be necessary to close one air hole of the front burner to obtain the optimal visual effect. In certain other installations (e.g. High Btu gas, High altitude) it may be advisable to open both air holes of the rear burner for optimum burner performance. See fig. 20.

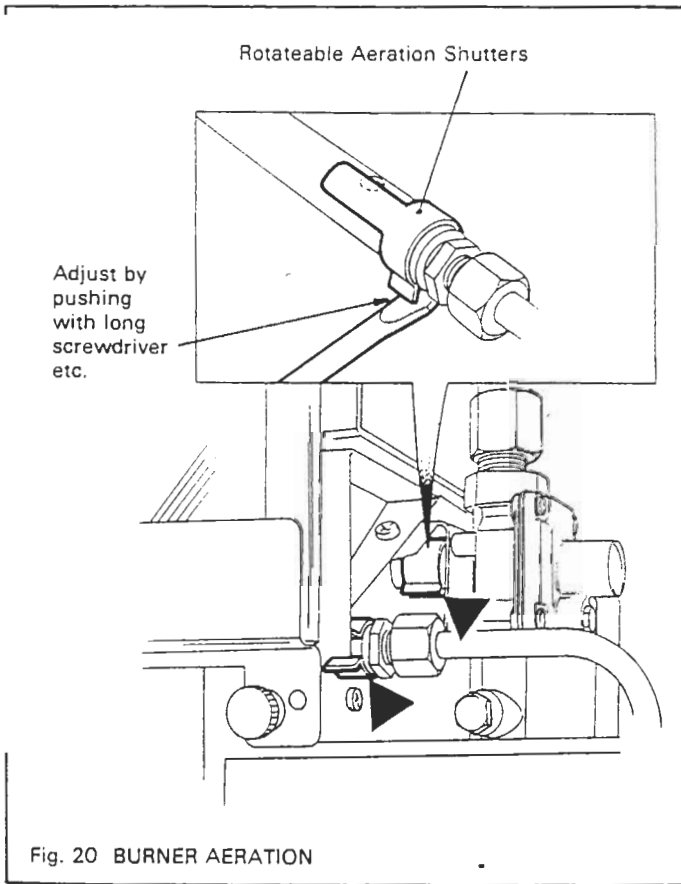


Fig. 20 BURNER AERATION

12. REPLACE INNER FRONT UNIT

Hook the inner front unit back onto the front frame.

13. FINAL CHECK

- 13.1 Recheck ignition and control settings operation.
- 13.2 Instruct the owner how to operate the appliance.
- 13.3 Close the bottom hinged grill.
- 13.4 Recommend that the appliance should be inspected and, if necessary, serviced at least once a year.

14. OPERATING PROCEDURE

For your safety this appliance is fitted with a Flame Supervision Device which will shut off the gas supply if, for any reason, the pilot flames go out. This device incorporates a fixed probe which senses the heat from the pilot flame. If the probe is cool the device will prevent any gas flow unless the control knob is held in at the IGN position. (See the Lighting Instructions on next page). Open the bottom grill to get access for operating the controls. Close the grill when you have finished operating the controls. When first, turned on, the decorative flames will appear predominantly blue. After approximately 15 minutes these flames will turn yellow.

15. LIGHTING IF SPARK IGNITER FAILS

In the unlikely event of failure of the ignition spark, the appliance can be lit by inserting a long burning match to the pilot (see fig. 21) and then operating the control knob as described in the lighting instructions.

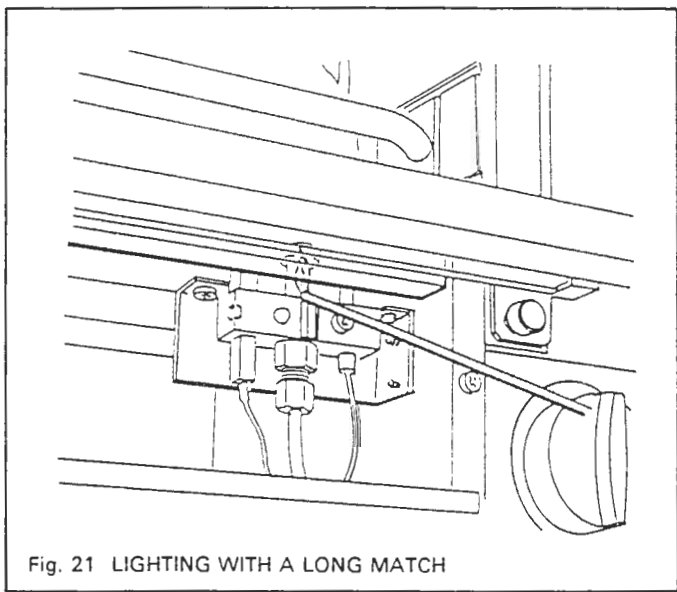


Fig. 21 LIGHTING WITH A LONG MATCH

CONTROL SETTINGS


KNOB SET AT	FLAME EFFECT		RATING (Btu) (Approximate)
	FRONT AREA	BACK AREA	
IGN	Pilot only		—
1	LOW	OFF	10000
2	LOW	ON	20000
3	HIGH	ON	22000

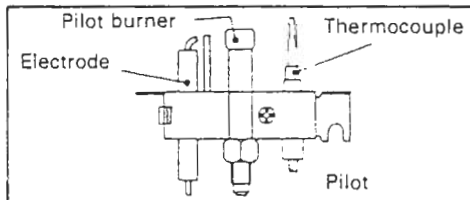
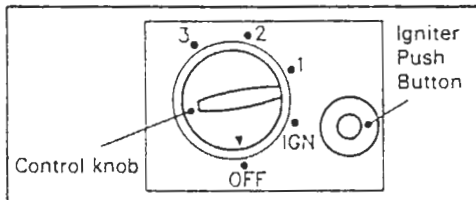
FOR YOUR SAFETY READ BEFORE LIGHTING


WARNING: If you do not follow these instructions exactly, a fire or explosion may result causing property damage, personal injury or loss of life.

- A. This appliance has a pilot which must be lighted by hand. When lighting the pilot, follow these instructions exactly.
- B. **BEFORE LIGHTING** smell all around the appliance area for gas. Be sure to smell next to the floor because some gas is heavier than air and will settle on the floor.
WHAT TO DO IF YOU SMELL GAS.
 - Do not try to light any appliance.
 - Do not touch any electric switch; do not use any phone in your building.
 - Immediately call your gas supplier from a neighbor's phone. Follow the gas supplier's instructions.
 - If you cannot reach your gas supplier, call the fire department.
- C. Use only your hand to push in or turn the gas control knob. Never use tools. If the knob will not push in or turn by hand, don't try to repair it, call a qualified service technician. Force or attempted repair may result in a fire or explosion.
- D. Do not use this appliance if any part has been under water. Immediately call a qualified service technician to inspect the appliance and to replace any part of the control system and any gas control which has been under water.

LIGHTING INSTRUCTIONS

1. Turn the control knob clockwise  to "OFF".



2. Wait five (5) minutes to clear out any gas. If you then smell gas, STOP! Follow "B" in the safety information above. If you don't smell gas, go to next step.
3. Find the pilot. It is at the front right corner of the firebox.
4. Push in control knob and turn counterclockwise  to "IGN".
5. Push knob further in for a few seconds to allow gas flow then press igniter button to light gas. If gas does not light, press button again.
6. Hold the control knob in for a further five (5) seconds then release. The pilot should remain alight. For maximum efficiency, turn to setting no. 3 for the first five (5) minutes to warm the chimney or flue.
7. Select required burner setting (The knob should be depressed slightly when changing settings). If pilot does not light or remain alight, repeat steps 2 through 7. If pilot does not light at all during a few attempts, try lighting with long match as described below.
 - If pilot does light but will not stay alight after several tries, turn the gas control to "OFF" and call your service technician or gas supplier.

Match Lighting: Apply a long match to the pilot while control knob is pushed in and at the "IGN" position - see instruction manual.

 - Do not operate between the setting positions.
 - The knob should pop out when released. If it does not stop and immediately call your service technician or gas supplier.

TO TURN OFF GAS TO APPLIANCE

Push in control knob slightly and turn clockwise  to "OFF". Do not force.

16. CLEANING

All cleaning should be carried out when the appliance is cold. Normally, the appliance should only need dusting. Dust etc. can be brushed from the logs using a soft brush after detaching the inner front unit and window (see installation section 2).

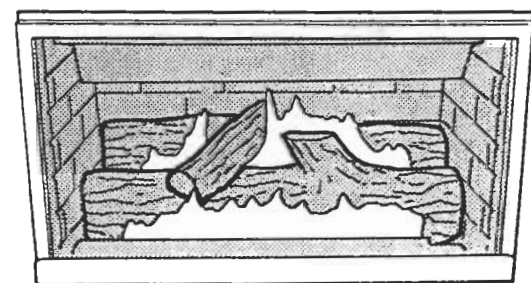
If you are removing the logs, we suggest that they are removed in the reverse order to that shown in the fuel bed assembly instructions (see installation section 6). The logs, window and inner front unit must be replaced as shown in the installation instruction sections.

Coloring of the interior of the metal fire box with use is normal.

17. PERIODIC CHECKS

17.1 A periodic visual check of the pilot and burner flames should be made (see figs 22 & 22a).

17.2 The venting system should be examined by a qualified agency regularly. We suggest annually.



CORRECT

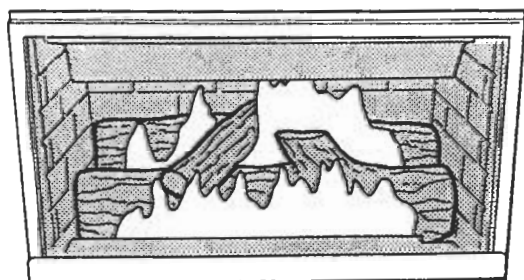


Fig. 22 BURNER FLAMES WRONG

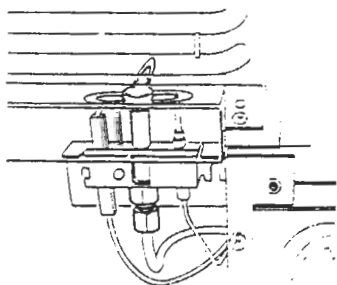


Fig. 22A PILOT FLAME

18. SERVICING

The repair parts are shown on the repair parts leaflet. Please always quote Part Number and description with requests for spares.

18.1 For Owner

If you require any attention to your appliance, contact your supplier quoting the model number. It is helpful if the appliance serial number is also quoted. This will be found on the appliance rating plate which is located on the left side of the appliance case. It is visible when the inner front unit is removed.

18.2 For Service Engineer

To aid servicing of the burner and manifold parts or for installation of the optional circulation fan # 710CFK, the burner module can be removed as follows (see fig. 23):-

18.2.1. Remove the window as described in installation instructions section 2.

18.2.2. Take all the ceramic parts out of the firebox and carefully store.

18.2.3. Remove the front frame as described in installation instructions section 2.

18.2.4. Disconnect the gas supply line at the union adjacent to the regulator.

18.2.5. Remove the two screws holding the burner module to the firebox sides. These are situated over the bottom outside flanges, one each side of the firebox.

18.2.6. Remove the screw securing the sloping front heat shield of the burner box to the appliance case.

18.2.7. Carefully slide the burner module forward and clear of the appliance case.

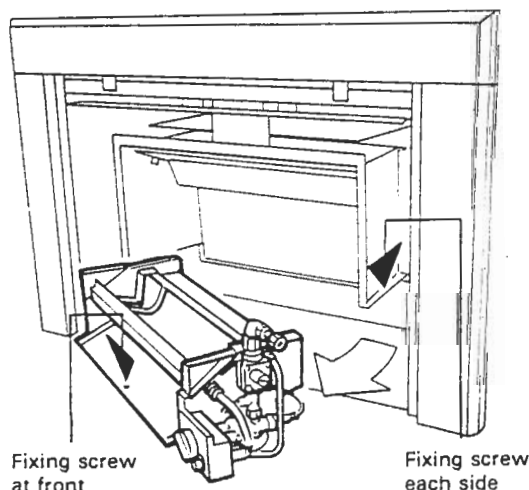


Fig. 23 BURNER MODULE REMOVAL

Manufactured by

VALOR HEATING

ERDINGTON ■ BIRMINGHAM ■ ENGLAND

Because our policy is one of constant development and improvement,
details may vary slightly from those given in this publication.

Distributed by

MILES INDUSTRIES LTD.
829 Third Street West
North Vancouver B.C.
Canada
V7P 3K7