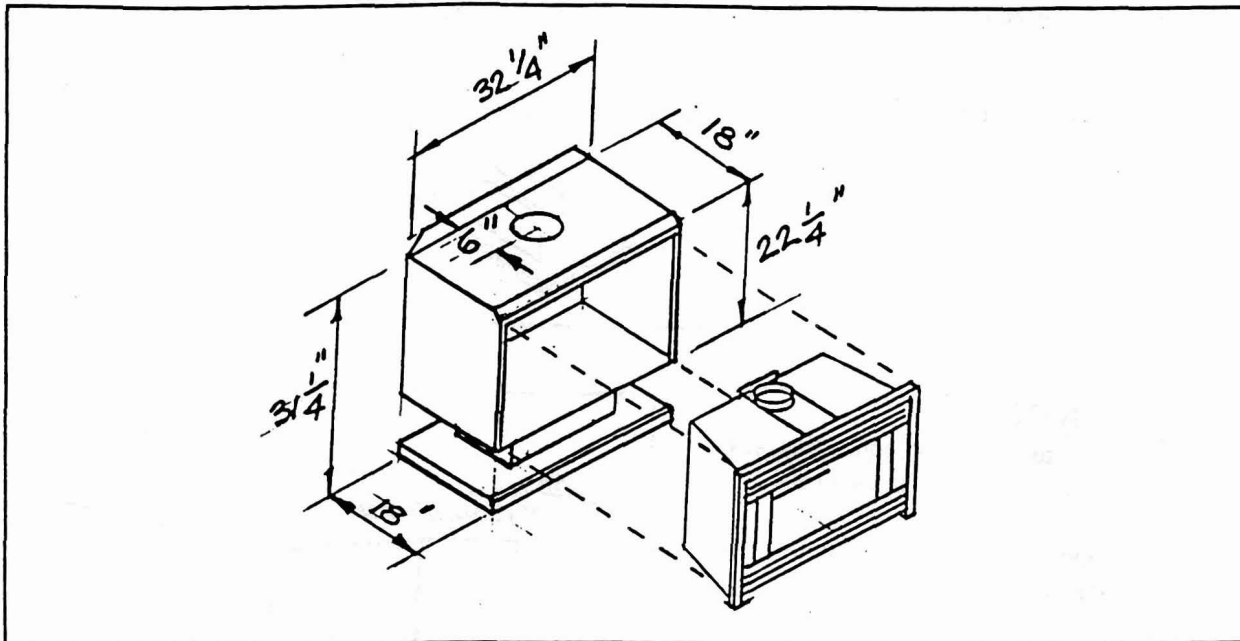


#730 FSK FREE STANDING KIT

Sept. 2, 1992

INSTALLATION INSTRUCTIONS

CANADIAN GAS ASSOCIATION APPROVED FOR USE ONLY WITH VALOR LEGEND MODEL 736CN . THESE INSTRUCTIONS ARE TO BE READ IN CONJUNCTION WITH THE INSTRUCTIONS SUPPLIED WITH THE HEATER.



CLEARANCES TO COMBUSTIBLES

BACK	1"
SIDES	1"
TOP	36" TO CEILING
FLOOR	0" (Suitable for mounting on combustible flooring including carpet)

ACCEPTABLE VENT MATERIALS: (4" DIAMETER ONLY)

- SINGLE WALL GALV. STEEL OR ALUMINUM -(Min. 28Ga steel, 22Ga. Alum.) 6" CLEAR. REQ'D
- APPROVED TYPE 'B' VENT - 1" CLEARANCE REQUIRED
- APPROVED FLEX LINER, WITH OVERSIZE PIPE SLEEVE COVER - 6" CLEARANCE REQUIRED

NOTE : FOR AESTHETIC REASONS IT MAY BE DESIRABLE TO COVER THE 4" DIAMETER VENT PIPE WITH AN OVERSIZE PIPE SLEEVE COVER.(REFER TO SECTION ON VENTING INSTALLATION)

ATTENTION:

Installation must conform with local codes, or in the absence of local codes, with the current CAN/CGA - B149.1 or the current National Fuel Gas Code ANSI Z223.1.

PLEASE READ AND FOLLOW THESE INSTRUCTIONS CAREFULLY. YOUR INSTALLATION TIME WILL BE SHORTENED AND PROPER SYSTEM PERFORMANCE WILL BE ASSURED. PLEASE LEAVE THESE INSTRUCTIONS WITH THE OWNER

FREE STANDING KIT COMPONENTS

The complete #730FS free standing kit contains the following (refer to Fig 1)

- Heater Enclosure Box
- Pedestal Base (Shipped bolted inside Enclosure Box)
- Flue Collar Extension
- Flue Collar Trim Ring
- Bolts and Nuts to fasten pedestal to enclosure box (5)
- Tapping Screws to fasten heater into enclosure box (4)

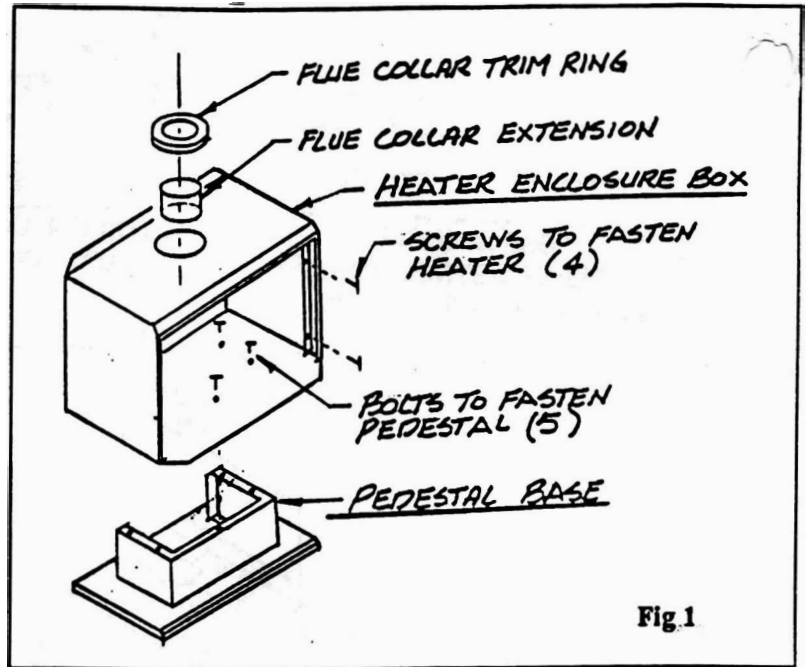


Fig 1

INSTALLATION

These instructions are to be read in conjunction with installation instructions supplied with the heater.

1. Unpack freestanding kit and check that all components are packed.
2. Unbolt pedestal from inside of the enclosure box. Place pedestal on floor with enclosure box on top and bolt pedestal to enclosure box using the 5 bolts provided.
3. Unpack heater and remove the front frame (refer to Fig. 2) Remove the vent connector plate from the top of the heater by removing the screw located at the top perimeter flange of the heater (refer to Fig.2.) Remove the gas line access panel from the right hand rear corner of the heater and note it's position carefully as this is where the gas line rough in will have to correspond to.
4. Install optional model 710CFK circulating fan kit at this stage if desired.(refer to 710CFK instructions)
5. Position free standing kit at desired location and carefully rough-in gas line to line up with the access hole location in the back of the heater (refer to Fig 3).
6. Insert heater partially into opening of enclosure box ensuring that the gas line is lined up with the access hole in the back of the heater. If the optional circulating fan is used, fish the electrical cord through the hole in the bottom of the enclosure box at this time.

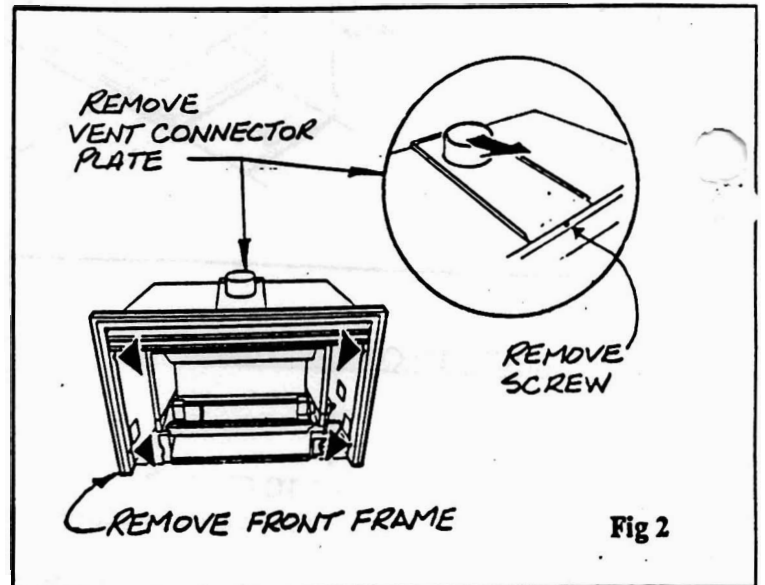


Fig 2

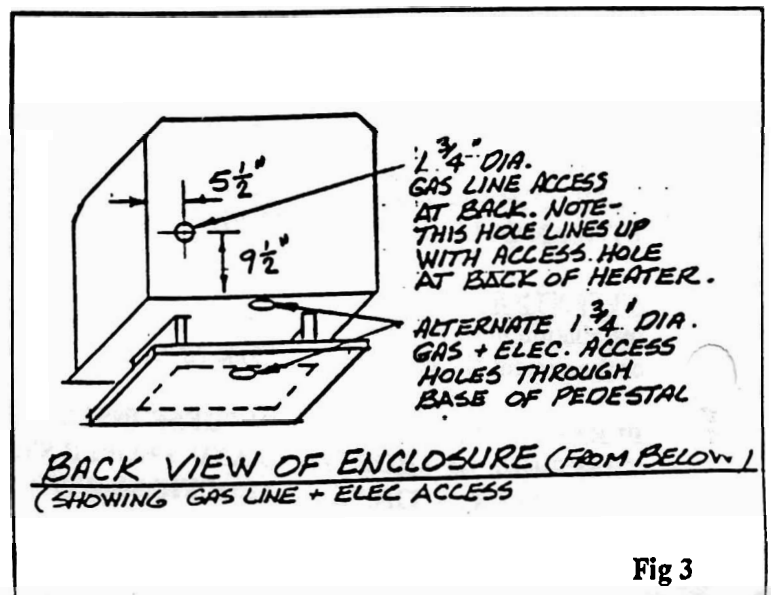
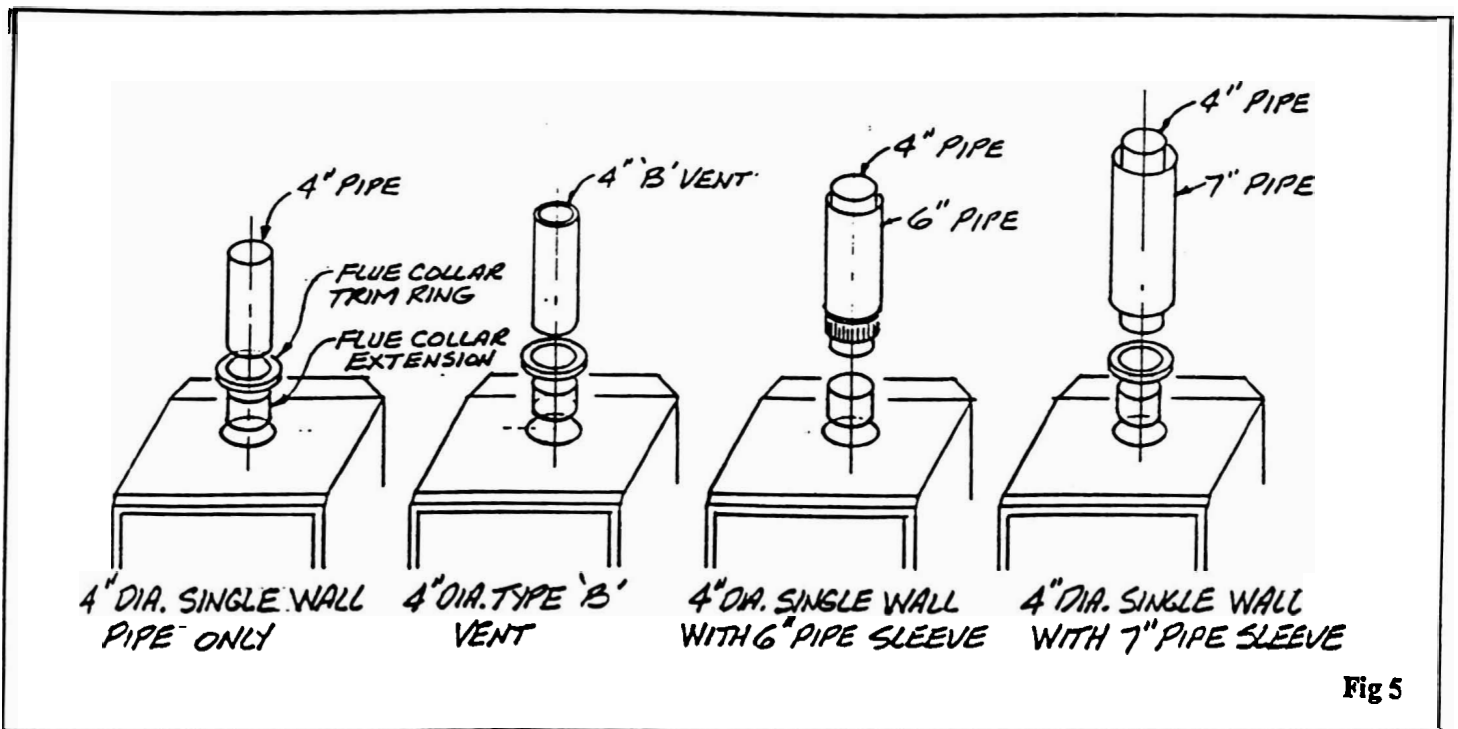
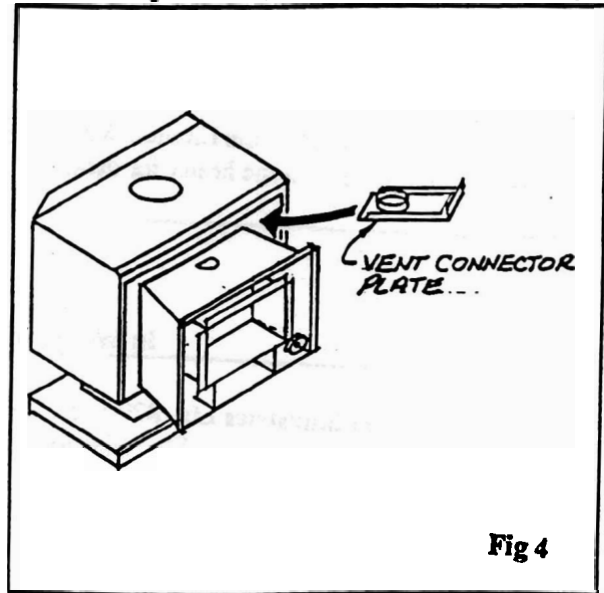


Fig 3

7. Connect the Flue Collar Extension to the vent connector plate and fasten using sheet metal screws. **Note:** check the diameter of the flue collar extension with the proposed vent material to ensure that the proposed vent will slide over the flue collar extension to within 2 - 2-1/2" of the end of the extension. This will ensure that the joint between pipes will not be visible when the flue collar trim ring is used. (Trim extension as necessary).
8. With the heater partially inserted into the enclosure box insert the vent connector plate through the gap at the side between the heater and the enclosure box. Rotate and lift the vent connector plate so the collar protrudes through the top of the enclosure box with the front of the plate facing forwards.
9. While holding the vent connector plate through the top of the box, slide the heater in the remainder of the distance until the outer flange of the heater makes contact with the mounting angles at the sides of the enclosure box.
10. While holding the vent connector plate by the flue collar, lift the front of the plate and slide the plate back to insert the tab at the back of the plate into the slot on the back edge of the heater. With the tab at the back of the vent connector plate engaged in the slot, press down on the plate and fasten the screw through the front flange of the heater to secure the vent connector plate.
11. Fasten the heater to the mounting angles at the sides using the 4 screws provided.
12. Complete the gas fitting following the installation instructions packaged with the heater.
13. Place the Flue Collar Trim Ring over the Flue Collar Extension (see Fig 5 before installing Trim Ring).
14. Install 4" diameter vent using approved materials as listed on page 1. When retrofitting locations utilizing existing vents or chimneys of larger than 4" diameter it is recommended, and in some areas required, to re-line the entire chimney with approved 4" vent material. Note - For aesthetic reasons it may be desirable to cover the 4" vent pipe with an oversize pipe sleeve. (refer to drawing regarding methods of sleeving vent pipe)
15. Continue with the heater installation and start-up in accordance with the installation instructions supplied with the heater.



WARRANTY

All components are covered by the Limited Warranty as supplied with the Heater for a period of two years. See Warranty Card supplied with the heater for details.

In Western Canada and the USA

**Miles Industries Ltd. 829 West Third Street, North Vancouver B.C, V7P 3K7
Ph. (604) 984-3496 Fax (604) 984-3496**

In Eastern Canada :

**Valtech :Heating Ltd
6660 Kennedy Road, Mississauga Ontario, L5T 2M9
Ph. (416) 795-0333 Fax. (416) 795- 0336**