



valor

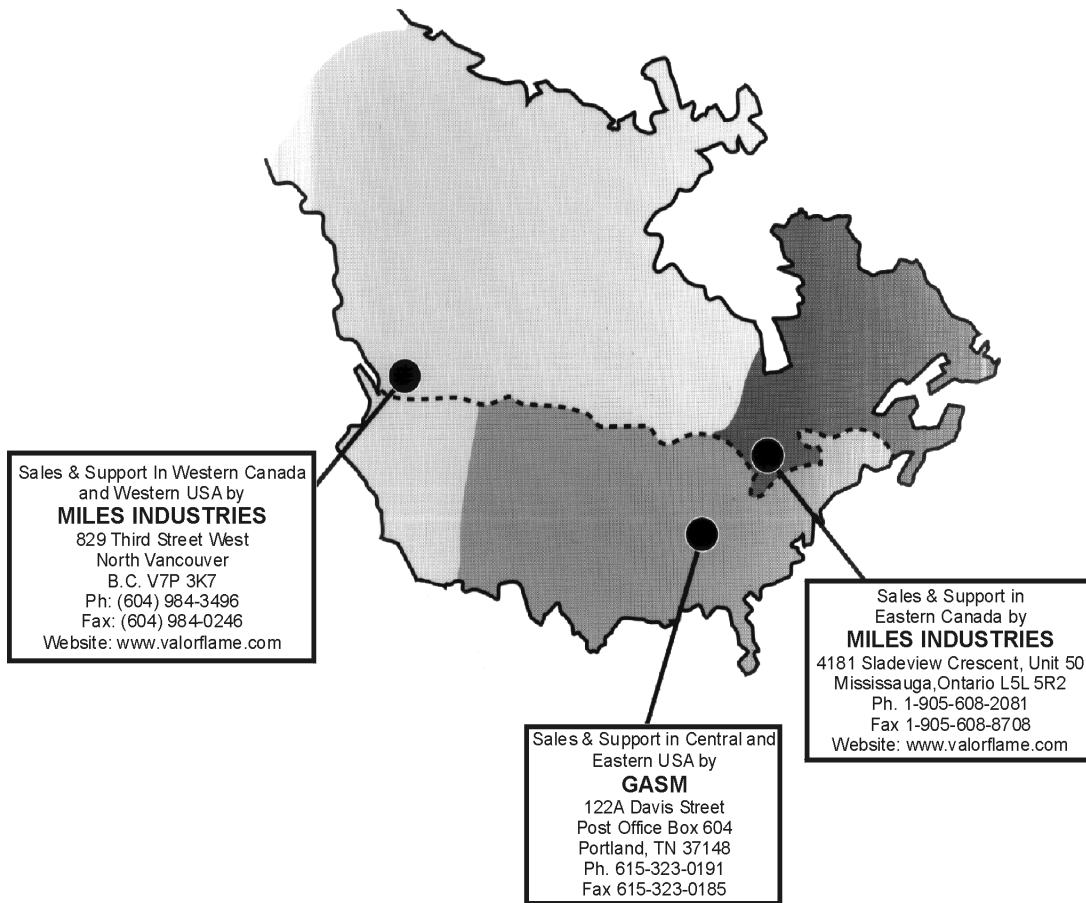
GAS FIREPLACES

Models 722AN 722AP



With **ADORN** or **VISAGE** Fire Front

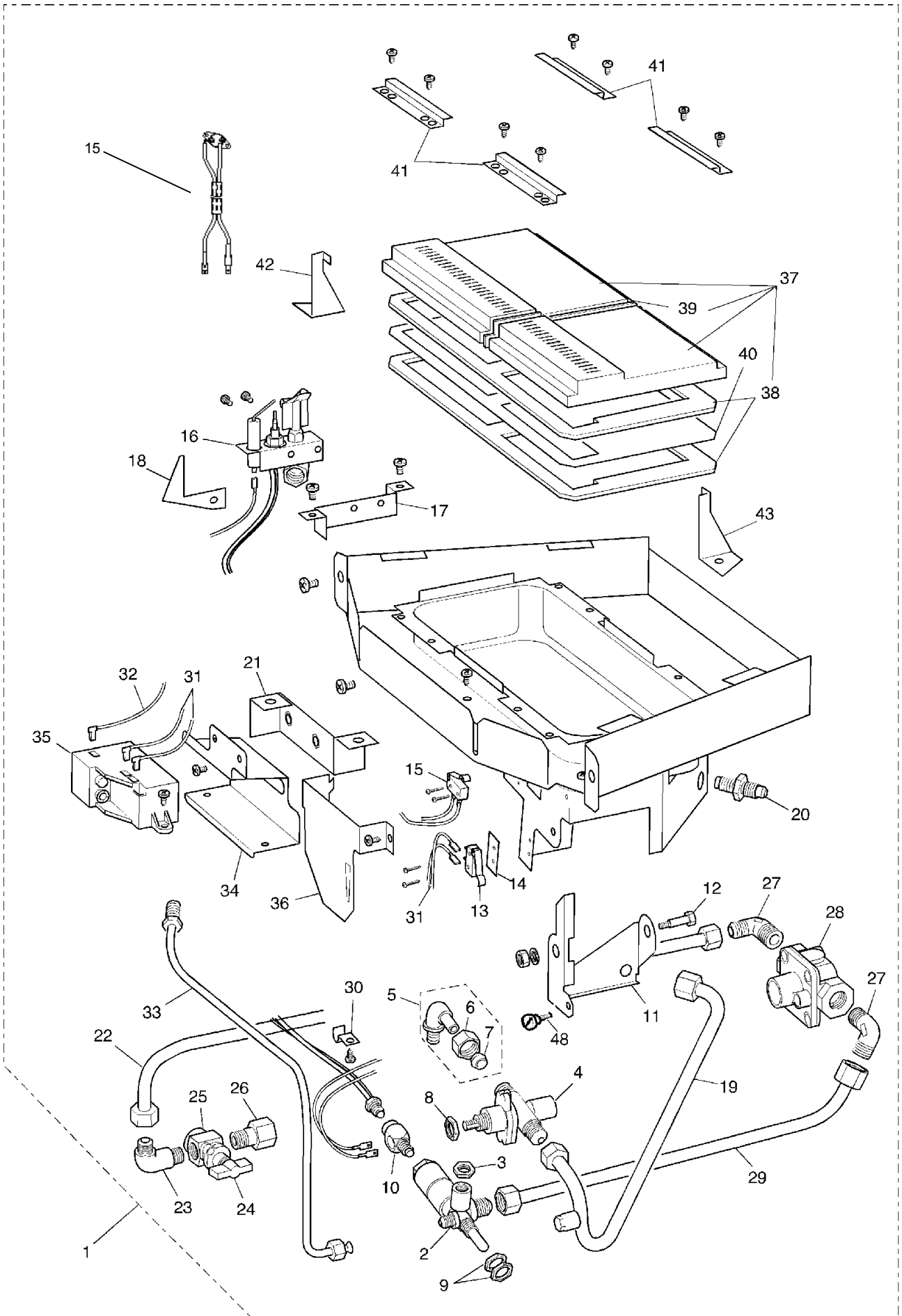
REPAIR PARTS LIST

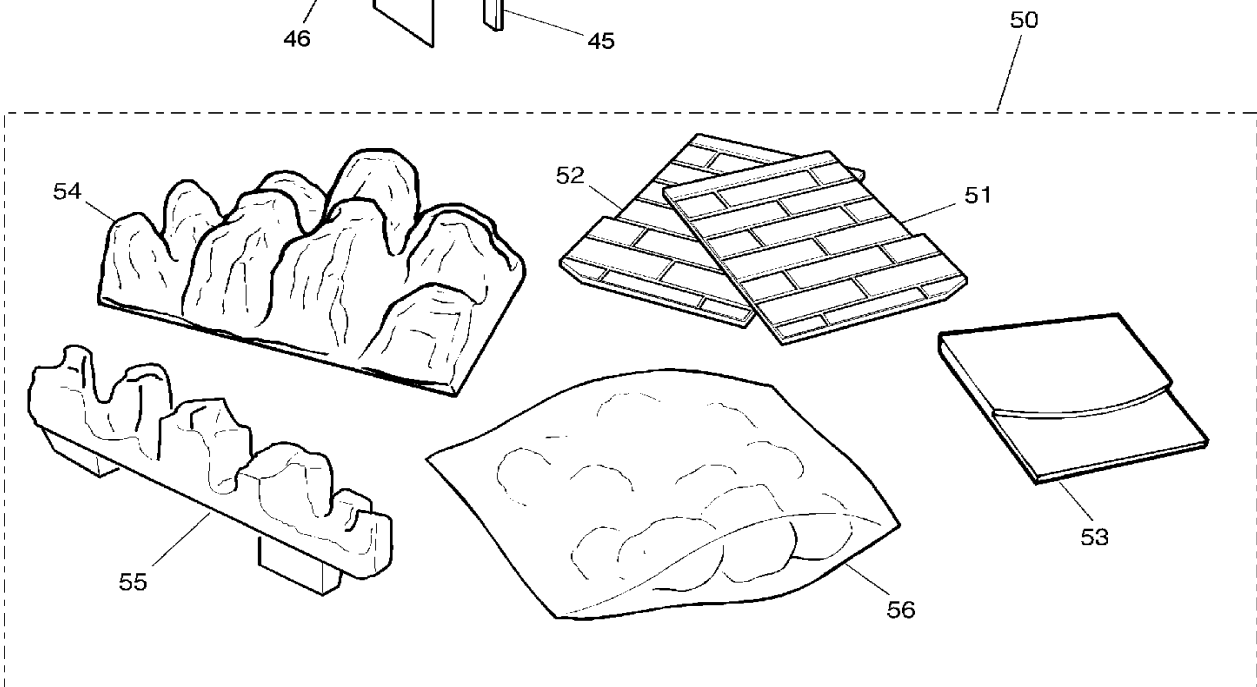
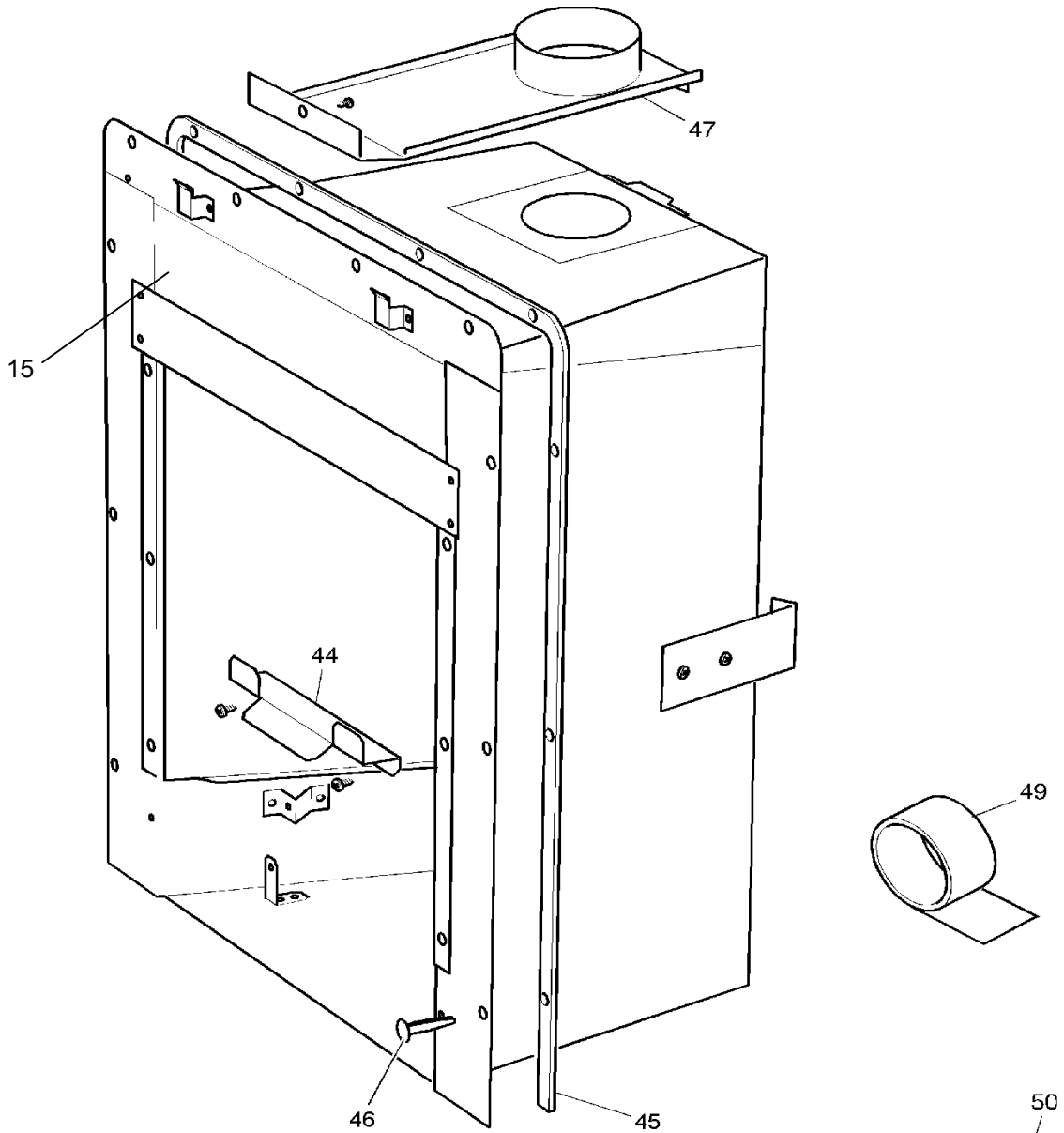


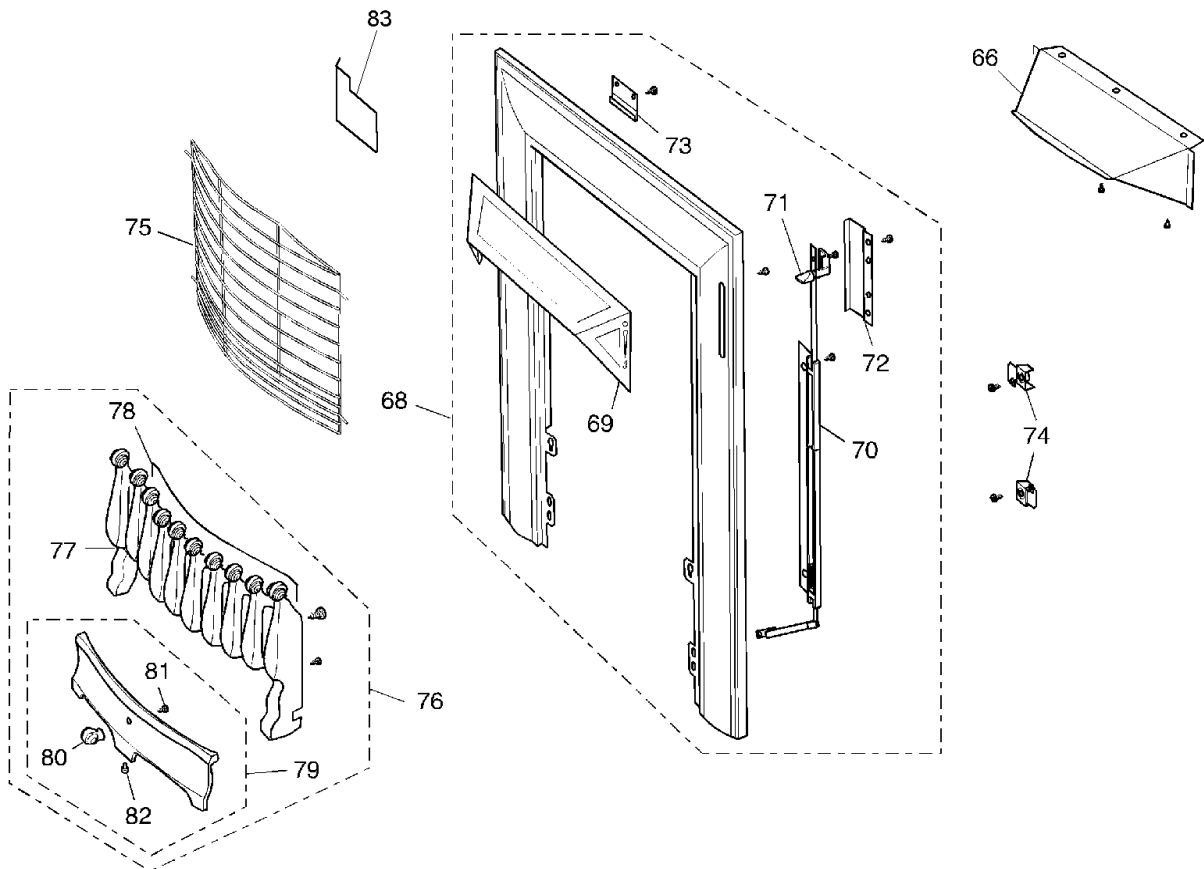
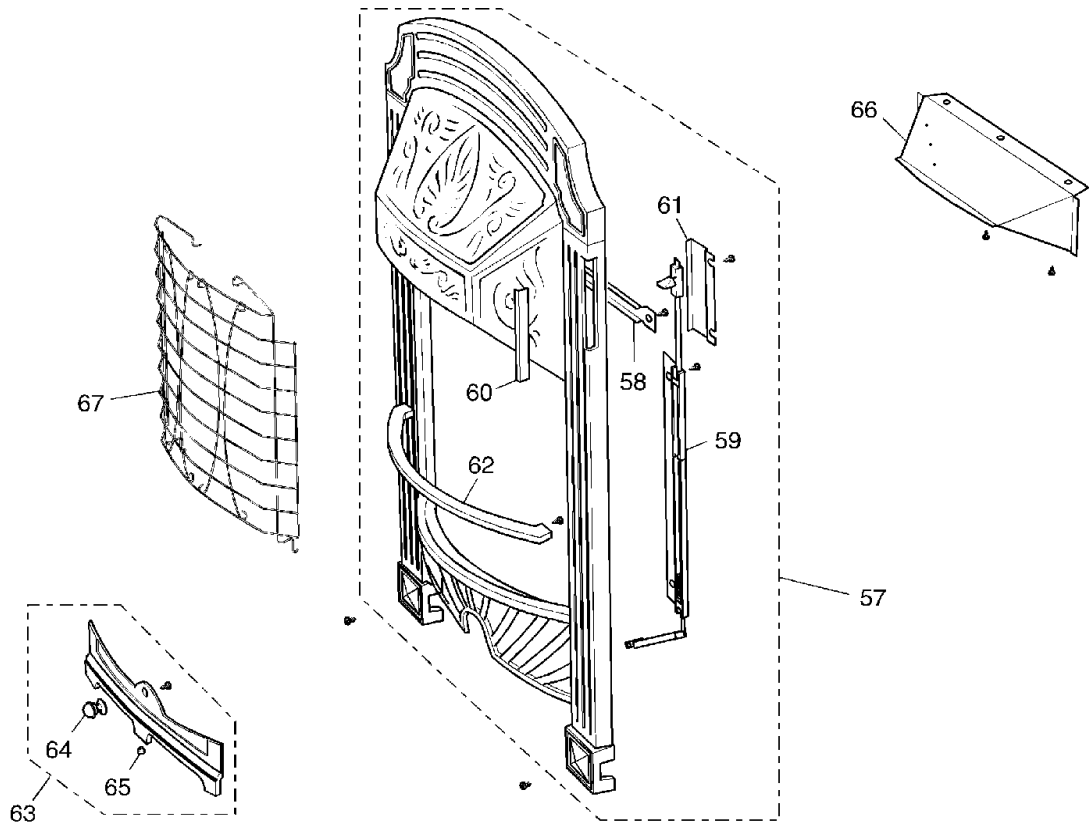
Manufactured by **valor** HEATING,
Birmingham, England



Because our policy is one of constant development and improvement, details may vary slightly from those given in this publication.
Vous pourrez vous procurer un exemplaire en langue Française de cette brochure chez votre concessionnaire
© Valor Heating







KEY #	NAME	AMOUNT	PART #
1	Burner unit <i>Natural gas appliances</i>	1	562489
	Burner unit <i>Propane appliances</i>	1	562499
2	Flame failure shut-off valve	1	562339
3	Lock nut	1	528839
4	Flow rate control valve <i>Natural gas appliances</i>	1	562349
	Flow rate control valve <i>Propane appliances</i>	1	562439
5	Elbow with nut & olive	1	540909
6	Olive nut	1	523389
7	Olive	1	519779
8	Lock nut	1	502739
9	Lock nut	2	539689
10	Thermocouple interrupter	1	522389
11	Pivoting control actuator	1	540929
12	Pivot pin	1	540949
13	Ignition microswitch	1	5409559
14	Insulation pad	1	554999
15	Gas shut-off microswitch (with wires) plus Vent Switch Assy	1	567719
16	Pilot unit - <i>Natural gas appliances</i>	1	562359
	Pilot unit - <i>Propane appliances</i>	1	562449
17	Pilot fixing bracket	1	540989
18	Pilot aeration baffle - <i>Natural gas appliances only</i>	1	565749
19	Pipe - Valve to main burner injector	1	562509
20	Injector & carrier - <i>Natural gas appliances</i>	1	562369
	Injector & carrier - <i>Propane appliances</i>	1	562459
21	Ignitor carrier bracket	1	541009
22	Pipe - Supply gas valve to regulator	1	565759
23	Supply gas valve elbow	1	532519
24	Supply gas valve knob	1	562379
25	Supply gas valve	1	562389
26	Inlet adapter 3/8" NPT	1	565769

KEY #	NAME	AMOUNT	PART #
27	Regulator elbow 1/4" NPT	2	565779
28	Regulator - <i>Natural gas appliances</i>	1	508199
	Regulator - <i>Propane appliances</i>	1	508209
29	Pipe - Regulator to flame failure shut-off valve	1	565789
30	Pipe clamp	1	549719
31	Wire - Switch to ignition generator	2	541049
32	Wire - Pilot electrode to ignition generator	1	541059
33	Pipe - Flame failure shut-off valve to pilot	1	565799
34	Ignition generator carrier	1	541079
35	Ignition generator	1	554949
36	Micro switch cover	1	541099
37	Plaque & gasket set - <i>Natural gas appliances</i>	1	541199
	Plaque & gasket set - <i>Propane appliances</i>	1	544949
38	Plaque base seal	2	564459
39	Plaque center seal	1	541429
40	Plaque sealing plate	1	563639
41	Plaque clamp	4	564469
42	Spacer - Ceramic base coal - Left side - <i>Natural gas appliances only</i>	1	565809
43	Spacer - Ceramic base coal - Right side - <i>Natural gas appliances only</i>	1	565819
44	Rear coal support	1	541129
45	Seal - Convection box top & sides	1	518789
46	Seal clips	8	542879
47	Vent connector unit	1	562529
48	Shouldered screw - Control linkage	1	541179
49	Floor sealing tape	1	563069
50	Set of Ceramic base coal, front coal & walls,	1	562409
51	Side wall "A"	1	541239
52	Side wall "B"	1	541249
53	Rear wall	1	541259
54	Base coal	1	565829
55	Front coal	1	562419
56	Pack of loose coals	1	562429

KEY #	NAME	AMOUNT	PART #
57	Adorn front - Fire front surround	1	541299
58	Adorn front - Cross member	1	541309
59	Adorn front - Slider control unit	1	541329
60	Adorn front - Slide control bezel	1	541339
61	Adorn front - Rear shield	1	541349
62	Adorn front - Surround lower trim	1	541389
63	Adorn front - Ashpan cover	1	541399
64	Adorn front - Ashpan cover knob	1	541409
65	Adorn front - Ashpan cover foot	3	508999
66	Canopy shield For Adorn front For Visage front	1	567849 545009
67	Adorn front - Safety guard	1	562519
68	Visage front - Surround unit Black Burgundy Blue Green	1	565839 565849 565859 565869
69	Visage front - Hood	1	545029
70	Visage front - Slider control unit	1	545909
71	Visage front - Slider control button	1	545919
72	Visage front - Rear shield	1	545089
73	Visage front - Top location bracket	2	545099
74	Visage front - Surround securing bracket	2	545109
75	Visage front - Safety guard	1	565879
76	Visage front - Front casting & ashpan cover set Black Burgundy Blue Green	1	545119 546439 546479 546399
77	Visage front - Front casting Black Burgundy Blue Green	1	545129 546449 546489 546409

KEY #	NAME	AMOUNT	PART #
78	Visage front - Casting screen	1	545139
79	Visage front - Ashpan cover unit Black Burgundy Blue Green	1	545149 546459 546499 546419
80	Visage front - Ashpan cover knob Black Burgundy Blue Green	1	545159 565619 565629 565639
81	Visage front - Screw for Ashpan cover knob	1	502649
82	Visage front - Ashpan cover foot	3	508999
83	Visage front - Deflector plate	1	567859
-	Instruction manual	1	565889