



Direct Vent Wall Furnace
MODELS 502CN — For Natural Gas
502CP — For Propane

REPAIR PARTS LIST

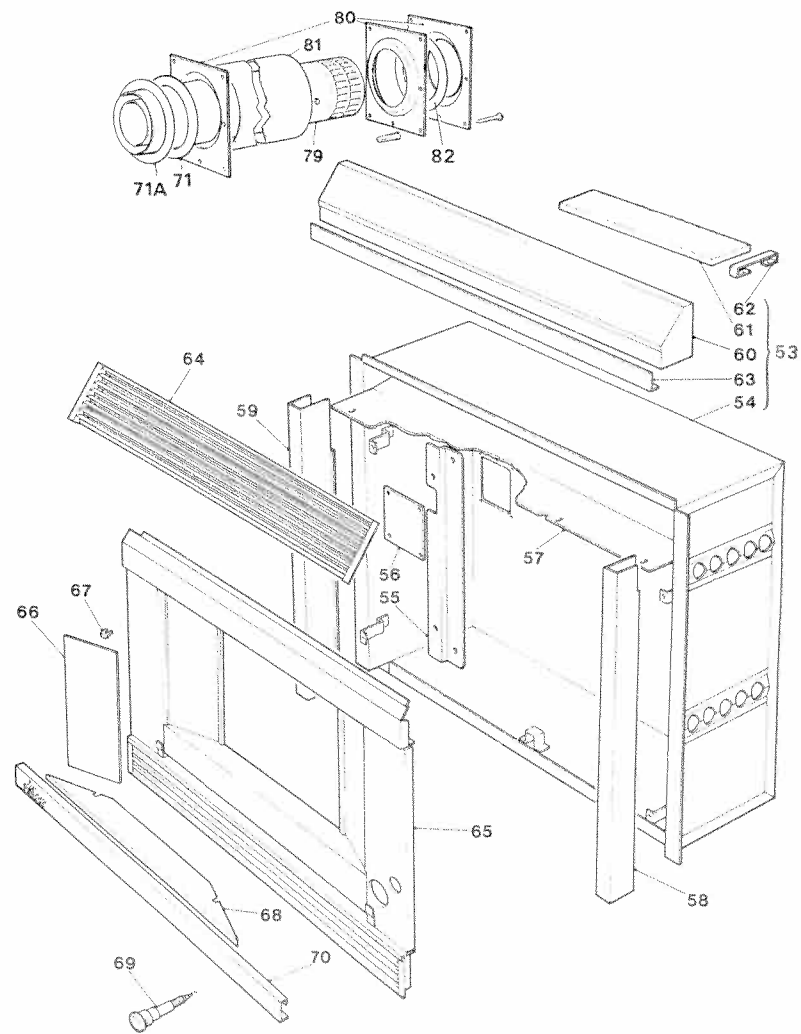
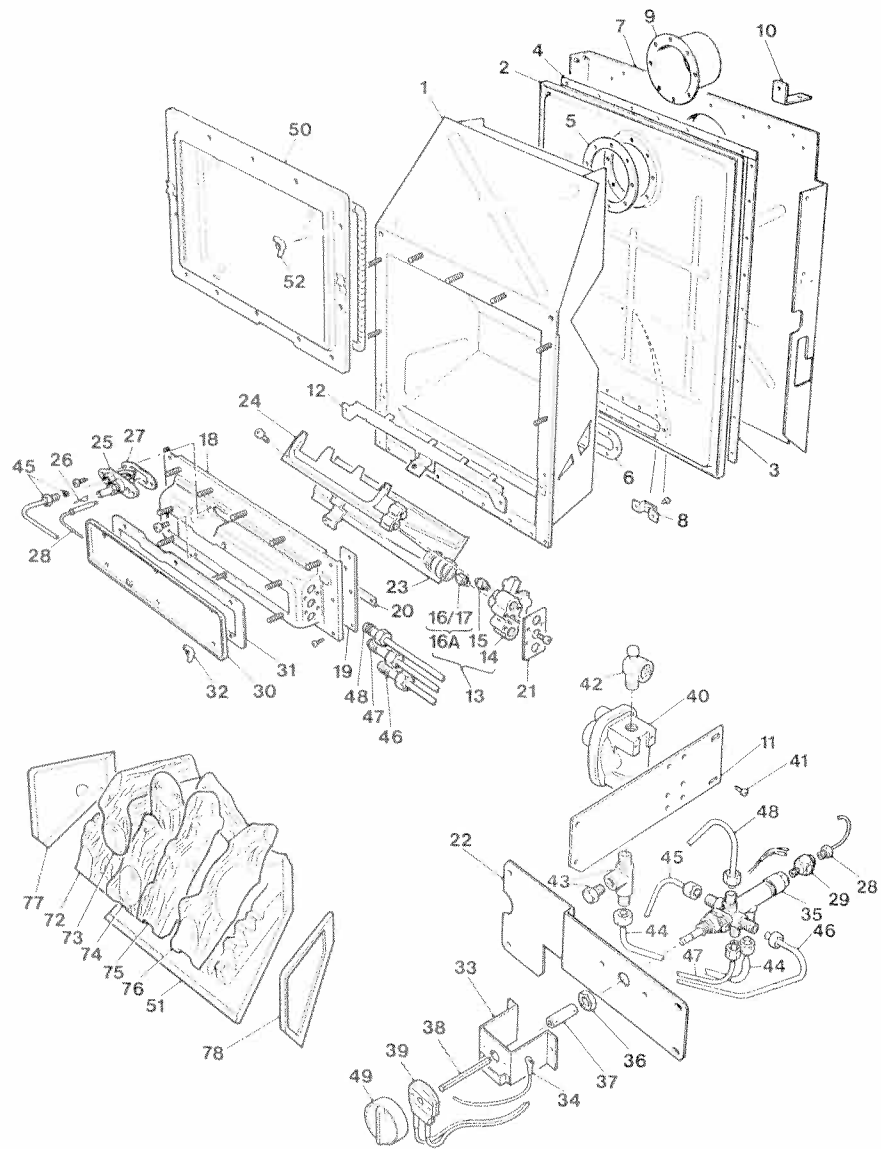


ERDINGTON · BIRMINGHAM B24 9QP · ENGLAND

Distributed by:

MILES
INDUSTRIES LTD
829 Third Street West,
NORTH VANCOUVER, B.C. V7P 3K7
Phone (604) 984-3496

Because our Policy is one of constant development and improvement,
details may vary slightly from those given in this publication.



Key No.	Description	Part No.	Quantity per Appliance	
			502CN	502CP
1	Firebox Unit	549309	1	1
2	Air Duct Box	549199	1	1
3	Seal - Air Duct Box-Sides	549179	2	2
4	Seal - Air Duct Box - Top & Bottom	549189	2	2
5	Seal - Vent Port	549329	1	1
6	Seal - Firebox Air Inlet	549339	1	1
7	Back Panel	555739	1	1
8	Back Panel Spacer	550799	1	1
9	Vent Collar	549209	1	1
10	Vent Unit Support	506619	1	1
11	Regulator Support Bracket	506629	1	1
12	Log Support Bar	555159	1	1
13	Burner Inlet Block & Injector Unit	554279	1	—
		506859	—	1
14	Burner Inlet Block	551069	1	1
15	Injector-Flame Burner	551089	2	—
		554389	—	2
16	Injector-Main Burner (Outer)	554289	1	—
16A	Injector-Main Burner	553759	—	2
17	Injector-Main Burner (Center)	554299	1	—
18	Burner Box Unit	555199	1	1
19	Seal-Burner Box Sides	549549	2	2
20	Seal-Burner Box Bottom	549559	1	1
21	Seal-Burner Inlet Block	551109	1	1
22	Control Valve Bracket	506639	1	1
23	Main Burner	551129	1	—
		553779	—	1
24	Flame Effect Burner	551139	1	—
		554399	—	1
25	Pilot & Electrode Unit	506649	1	—
		506869	—	1
26	Electrode Wire	555849	1	1
27	Seal-Pilot	551159	1	1
28	Thermocouple	551179	1	1

Key No.	Description	Part No.	Quantity per Appliance	
			502CN	502CP
29	Thermocouple Interruptor	554309	1	1
30	Burner Access Cover	551189	1	1
31	Seal-Access Cover	551199	1	1
32	Wing Nut	550919	6	6
33	Switch Bracket	506659	1	1
34	Earth Wire	506669	1	1
35	Control Valve	548509	1	1
36	Locknut	502739	1	1
37	Control Shaft Adaptor	553869	1	1
38	Control Shaft	506679	1	1
39	Safety Switch	553839	1	1
40	Regulator	551219	1	—
		503049	—	1
41	Screw #6 x 1/4 Taptite 32t.p.i.	548609	4	4
42	Elbow-Inlet	502709	1	1
43	Pressure Test Tapping	548739	1	1
44	Pipe Unit Pressure Tapping to Valve	507279	1	1
45	Pipe-Pilot to Valve	555889	1	1
46	Pipe - Valve to Main Burner - Center	555889	1	1
47	Pipe - Valve to Flame Burner Center	555909	1	1
48	Pipe - Valve to Outer Burners	555919	1	1
49	Control Knob	507059	1	1
50	Window Unit	549729	1	1
51	Log Support Base	551299	1	1
52	Wing Nut	533249	12	12
53	Outer Case Unit	506689	1	1
54	Liner Box	506699	1	1
55	Interior Mounting Rail	555269	2	2
56	Gas Inlet Opening Cover	506709	2	2
57	Upper Baffle	506719	1	1
58	Side Pillar Right Side	506729	1	1
59	Side Pillar Left Side	506739	1	1
60*	Top Cross Unit	506749	1	1

Key No.	Description	Part No.	Quantity per Appliance	
			502CN	502CP
61	Insulation Board	536159	1	1
62	Insulation Board Retainer	507079	2	2
63	Top Trim Bar	506759	1	1
64	Top Grille	506769	1	1
65	Facia Unit	506779	1	1
66	Facia Glass Panel	506789	2	2
67	Facia Glass Retainer	506799	2	2
68	Apron	506809	1	1
69	Piezo Generator	506819	1	1
70	Bottom Trim Bar	506829	1	1
71	Sealing Ring Thick	551329	1	1
71A	Sealing Ring - Thin	549799	1	1
72	Log # 1	557649	1	1
73	Log # 2	557659	1	1
74	Log # 3	557669	1	1
75	Log # 4	557679	1	1
76	Log # 5	557689	1	1
77	Side Cheek Left Side	549619	1	1
78	Side Cheek Right Side	549629	1	1
79	Vent Unit	554319	1	1
80	Vent Locating Plate	554329	3	3
81	Outer Vent Shield Tube	554339	1	1
82	Sealing Ring	551329	1	1