



valor

Homeflame

Direct Vent Wall Furnaces

MODEL	GAS	COLOR
480CNB	Natural	Black/Brass
480CNC	Natural	Cinnamory/Brass

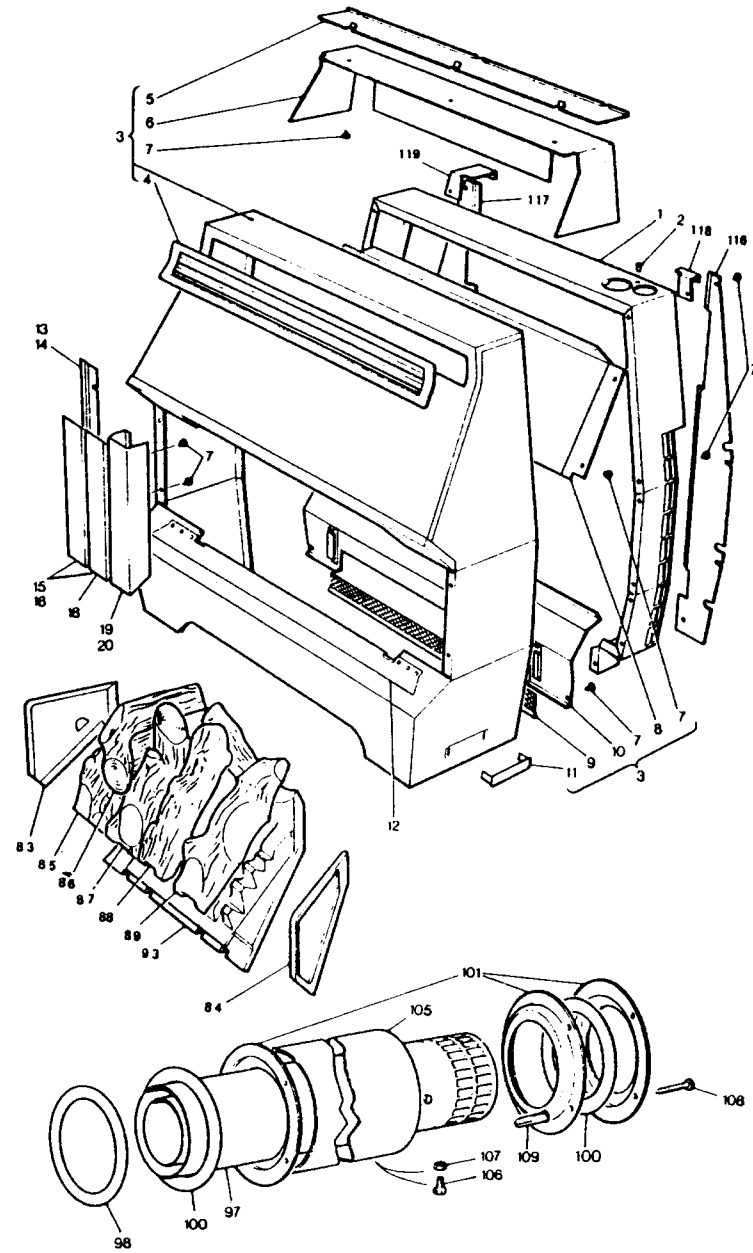
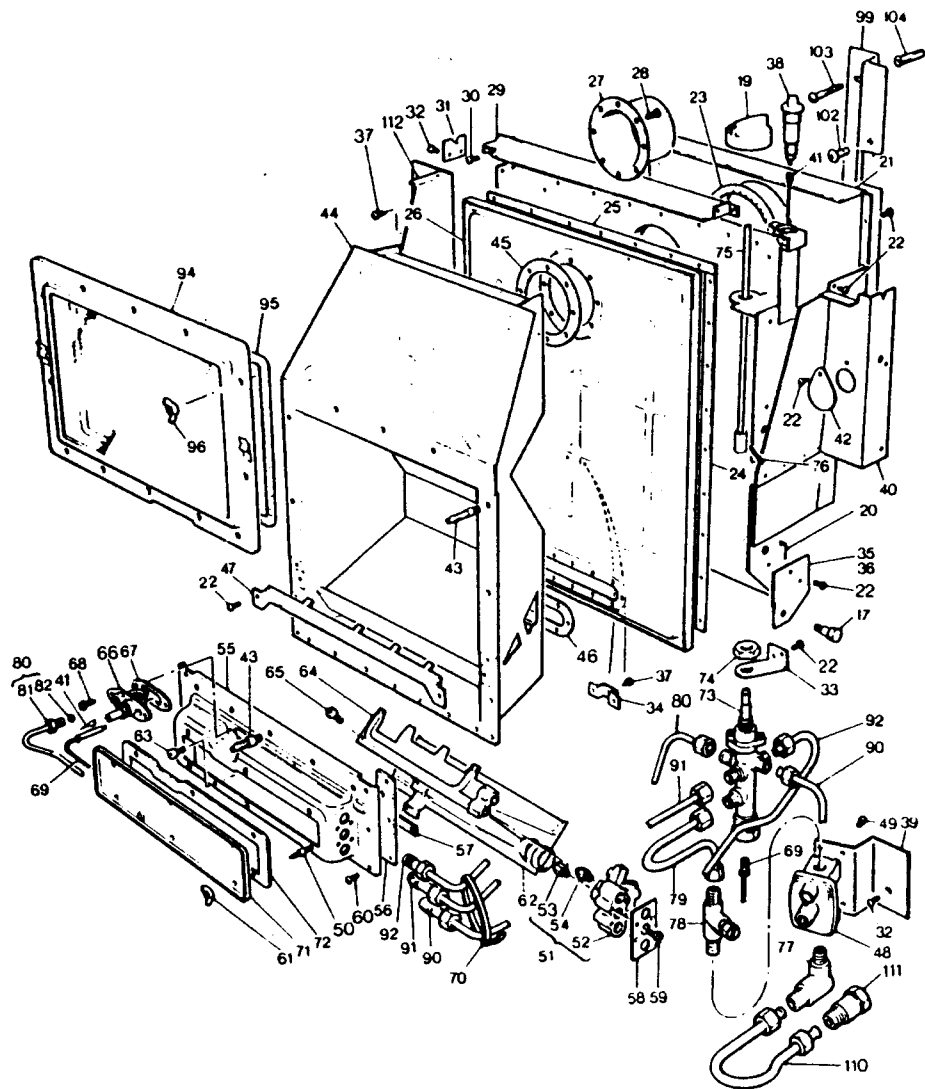
REPAIR PARTS LIST

valor HEATING LIMITED
ERDINGTON . BIRMINGHAM B24 9QP . ENGLAND

DISTRIBUTED BY

MILES
INDUSTRIES LTD
829 Third Street West,
North Vancouver, B.C. V7P 3K7
Phone (604) 984-3496

Because our Policy is one of constant development and improvement, details may vary slightly from those given in this publication.



Key No.	Description	Part No.	Quantity per Appliance		Key No.	Description	Part No.	Quantity per Appliance	
			Model 480CNC	Model 480CNC				Model 480CNC	Model 480CNC
1	Outer Rear Frame	551479 551489	1 —	— 1	32	Screw 5mm x 10mm	533329	3	3
2	Control Position Indicator Pin	530939	1	1	33	Control Valve Bracket	551019	1	1
3	Outer Case Unit (Includes Key Nos. 4,5,6,7,8,9,10,11)	551499 551509	1 —	— 1	34	Back Panel Spacer	550799	1	1
4	Hood Grill	550099 550579	1 —	— 1	35	Outer Frame Bottom Fixing Bracket - Right Side	550809	1	1
5	Upper Heat Shield	550119	1	1	36	Outer Frame Bottom Fixing Bracket - Left Side	550819	1	1
6	Lower Hood Shield	550859	1	1	37	Screw # 8 x 3/8 Zinc Plate	511569	9	9
7	Screw # 8 x 3/8 black	534629	65	65	38	Piezo Electric Ignition Generator	547339	1	1
8	Hood Front Heatshield	550169	1	1	39	Regulator Bracket	551049	1	1
9	Burner Guard	550179	1	1	40	Ignition Generator Shield Unit	551409	1	1
10	Bottom Front Heatshield	550459	1	1	41	Piezo Electric Ignition Lead	551169	1	1
11	Name Plate	547549	1	1	42	Generator Shield Access Cover	549299	1	1
12	Ledge Trim	550879	1	1	43	Stud 5mm Thread - Long	549319	12	12
13	Outer Case Edge Trim - Right Side	550599	1	1	44	Firebox Unit	549309	1	1
14	Outer Case Edge Trim - Left Side	550609	1	1	45	Seal - Vent Port	549329	1	1
15	Side Trim - Right Side Black	550209	1	—	46	Seal - Firebox Air Inlet	549339	1	1
16	Side Trim - Left Side Black	550219	1	—	47	Log Front Support Bar	551029	1	1
17	Side Trim Dark Brass - Matching Pair Left & Right Side	550619	—	1 pair	48	Gas Pressure Regulator	551219	1	1
18	Side Trim - Medium Colored Brass - Matching Pair Left & Right Side	550629	1 pair	1 pair	49	Screw # 6 x 1/4 'Taptite' 32 t.p.i.	548609	4	4
19	Inner Side Trim - Right Side	550329	1	1	50	Stud 5mm Thread - Short	550829	6	6
20	Inner Side Trim - Left Side	550339	1	1	51	Burner Inlet Block and Injector Unit (Includes Keys 52 through 54)	551059	1	1
21	Rear Cooler Plate	551399	1	1	52	Burner Inlet Block	551069	1	1
22	Screw 4mm x 10mm 'Supadrive' C.A.	513509	44	44	53	Gas Injector - Main Burner	551079	2	2
23	Sealing Ring - Back Panel/Cooler Plate	549799	1	1	54	Gas Injector - Decorative Flame Burner	551089	2	2
24	Seal - Air Duct Box - Sides	549179	2	2	55	Burner Box Unit	551099	1	1
25	Seal - Air Duct Box - Top & Bottom	549189	2	2	56	Seal - Burner Box Sides	549549	2	2
26	Air Duct Box	550999	1	1	57	Seal - Burner Box Bottom	549559	1	1
27	Vent Collar	549209	1	1	58	Seal - Burner Inlet Block	551109	1	1
28	Screw 4mm x 10mm	549219	20	20	59	Screw - 4mm x 8mm 'Taptite' Nickel Plated	551119	4	4
29	Rear Heat Shield	549229	1	1	60	Screw - 4mm x 10mm Black	550929	13	13
30	Screw 3mm x 6mm 'Taptite'	547299	4	4	61	Wing Nut - 5mm - Black	550919	6	6
31	Outer Frame Top Location Bracket	549239	1	1					

Key No.	Description	Part No.	Quantity per Appliance		Key No.	Description	Part No.	Quantity per Appliance	
			Model 480CNCB	Model 480CNC				Model 480CNCB	Model 480CNC
62	Main Burner	551129	1	1	92	Pipe Unit - Valve to Outer Burners Inlet	551289	1	1
63	Screw 4mm x 6mm 'Taptite' Black	513359	1	1	93	Log Support Base	551299	1	1
64	Decorative Flame Burner	551139	1	1	94	Window Unit	549729	1	1
65	Screw 4mm x 6mm 'Taptite' Nickel Plated	513349	1	1	95	Window Seal and Staples	549739	1	1
66	Pilot and Electrode Unit	551149	1	1	96	Wing Nut 5mm Bright	533249	12	12
67	Seal - Pilot Unit	551159	1	1	97	Vent Unit	549749	1	1
68	Screw 4mm x 10mm 'Taptite' Black	513059	2	2	98	Vent Inner Sealing Ring	549799	1	1
69	Thermocouple	551179	1	1	99	Wall Mounting Rail	551319	2	2
70	Lead Securing Tie	547699	2	2	100	Sealing Ring - Vent To Wall Plate	551329	2	2
71	Burner Access Cover	551189	1	1	101	Wall Plate	551339	3	3
72	Seal - Access Cover	551199	1	1	102	Screw 6mm x 10mm	547689	4	4
73	Control Valve	548509	1	1	103	Woodscrew # 12 x 1 1/2"	551419	4	4
74	Locknut 15mm	548379	1	1	104	Wall Plug for # 12 x 1 1/2" Screw	549769	4	4
75	Control Shaft Unit	551209	1	1	105	Outer Vent Shield Tube	551349	1	1
76	Split Fixing Pin	536949	1	1	106	Screw # 10 UNC x 1/2"	551359	4	4
77	Elbow - Regulator Connector	548749	1	1	107	Nut # 10 UNC	551369	4	4
78	Pressure Test Fitting Unit	548739	1	1	108	Woodscrew # 8 x 1 1/4"	551429	8	8
79	Pipe Unit - Pressure Test Unit to Valve	551229	1	1	109	Wall Plug for # 8 x 1 1/4" Screw	551439	8	8
80	Pipe Kit (Pipe Nut & Ferrule) Pilot to Valve (Includes Keys 81, 82)	551239	1	1	110	Supply Inlet Pipe	551449	1	1
					111	Supply Inlet Connector	551459	1	1
81	Nut for Pipe	551249	1	1	112	Heat Shield Left Side	551469	1	1
82	Ferrule for Pipe	551259	1	1	113	Knurled Head Screw	549109	2	2
83	Left Side Cheek	549619	1	1	114	Control Knob	548519	1	1
84	Right Side Cheek	549629	1	1	115	Back Panel Unit	551009	1	1
85	Log # 1	550729	1	1	116	Case Rear Plate - Right Side	550249	1	1
86	Log # 5	549679	1	1	117	Case Rear Plate - Left Side	550259	1	1
87	Log # 2	549649	1	1	118	Case Locating Bracket - Top Right Side	550899	1	1
88	Log # 4	549669	1	1	119	Case Locating Bracket - Top Left Side	550889	1	1
89	Log # 3	549659	1	1	Not Shown	Wall Drilling Template	551389	1	1
90	Pipe Unit - Valve to Main Burner Center Inlet	551269	1	1					
91	Pipe Unit - Valve to Flame Burner Center Inlet	551279	1	1					