



Valor *Homeflame*

Direct Vent Wall Furnace
MODELS 479CN – For Natural Gas
479MP – For Propane

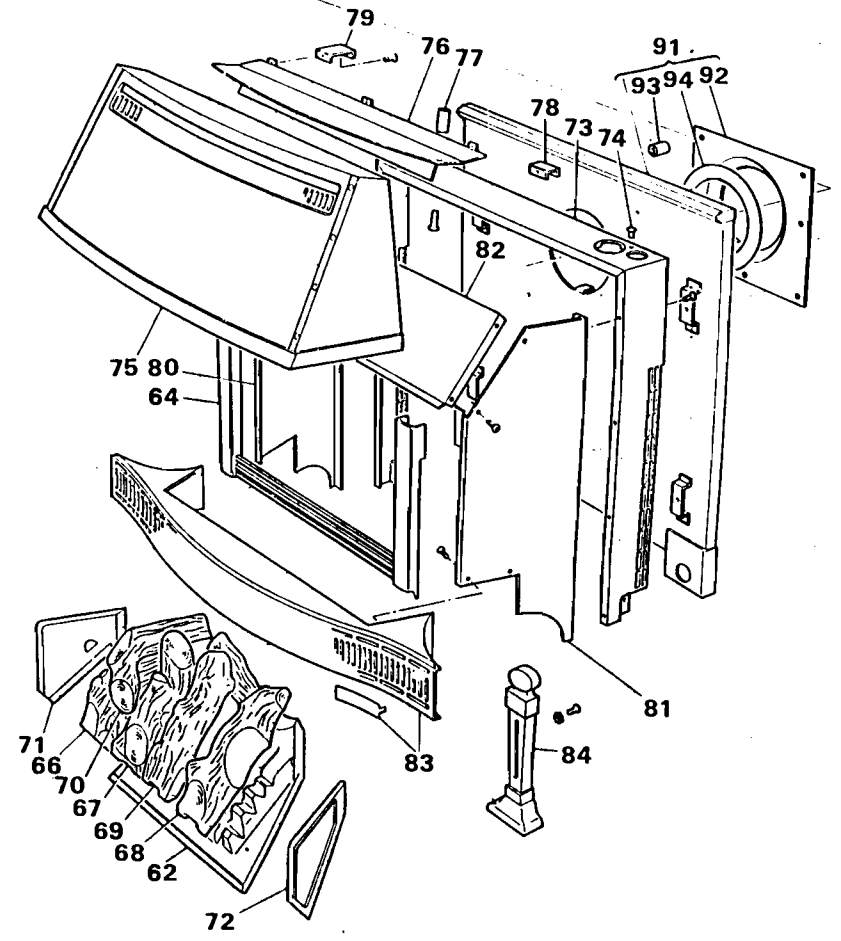
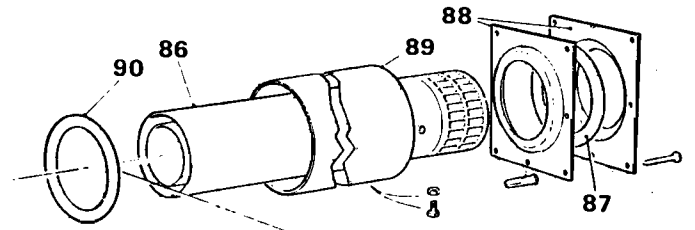
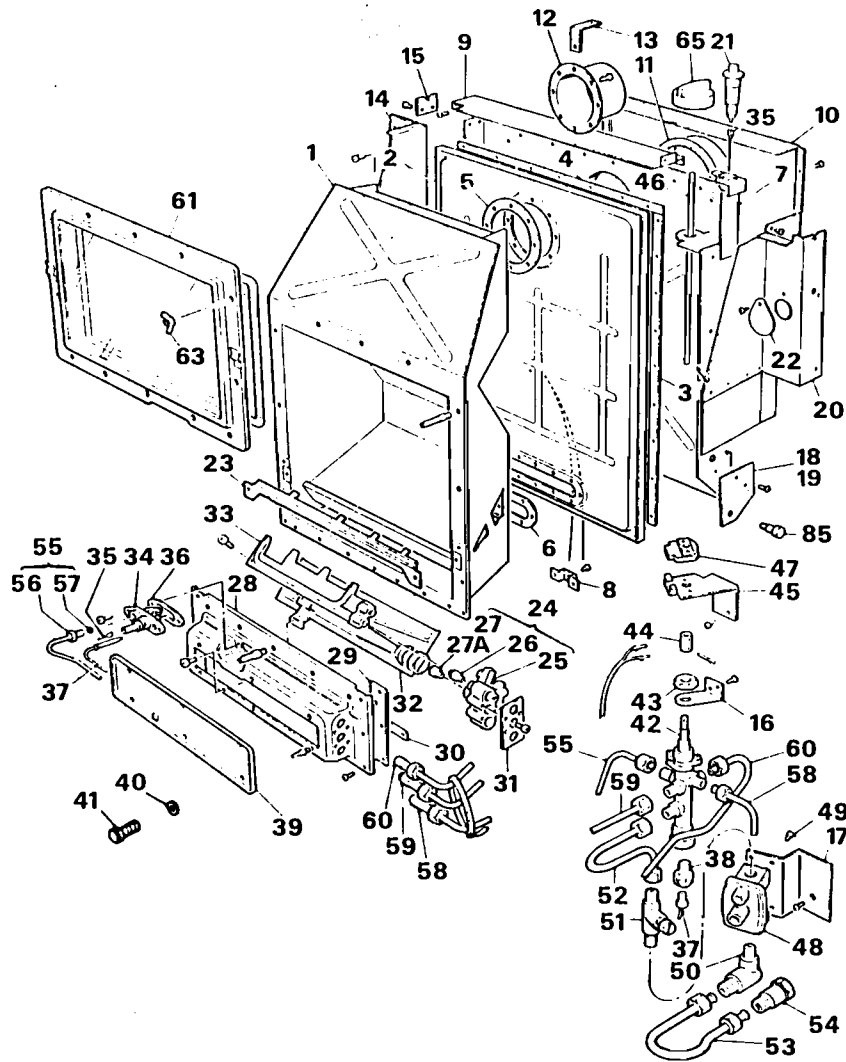
REPAIR PARTS LIST

Valor HEATING LIMITED

ERDINGTON · BIRMINGHAM B24 9QP · ENGLAND

Because our Policy is one of constant development and improvement, details may vary slightly from those given in this publication.

DISTRIBUTED BY	MILES INDUSTRIES LTD 829 Third Street West, NORTH VANCOUVER, B.C. V7P 3K7 Phone (604) 964-3496
----------------	---



479CN/MP Parts Price List

No.	Description 479 Parts	Part No.
1	Firebox Unit	549309
2	Air Duct Box	549199
3	Seal-Air Duct Box-Sides	549179
4	Seal-Air Duct Box-Top & Bottom	549189
5	Seal-Vent Port	549329
6	Seal-Firebox Air Inlet	549339
7	Back Panel Unit	551009
8	Back Panel Spacer	550799
9	Rear Heat Shield	549229
10	Rear Cooler Plate	551399
11	Sealing Ring	549799
12	Vent Collar	549209
13	Vent Collar Support Bracket	506619
14	Heat Shield - Left Side	551469
15	Outer Frame Top Location Bracket	549239
16	Control Valve Bracket	551019
17	Regulator Bracket	551049
18	Outer Frame Bottom Fixing Bracket- Right Side	550809
19	Outer Frame Bottom Fixing Bracket-Left Side	550819
20	Ignition Generator Shield Unit	551409
21	Piezo Electric Ignition Generator	554909
22	Generator Shield Access Cover	549299
23	Log Front Support Bar	555159
24	Burner Inlet Block & Injector Unit (Includes Keys 52 through 54)	554279 506859(P)
25	Burner Inlet Block	551069
26	Gas Injector-Decorative Flame Burner	551089 554387(P)
27	Gas Injector-Main Burner Gas Injector-Main Burner(outer)	553759(P) 554289
27A	Gas Injector-Main Burner (centre)	554299
28	Burner Box Unit	551099
29	Seal-Burner Box Sides	549549
30	Seal-Burner Box Bottom	549559

Key No.	Description 479 Parts	Part No.
31	Seal-Burner Inlet Block	551109
32	Main Burner	551129 553779(P)
33	Decorative Flame Burner	551139 554399(P)
34	Pilot & Electrode Unit	506649 506869(P)
35	Piezo Ignition Lead	551169
36	Seal-Pilot Unit	551159
37	Thermocouple	551179
38	Thermocouple Interrupter	554309
39	Pressure Relief Cover	510509
40	Sealing Washer	510529
41	Spring Loaded Bushing	510519
42	Control Valve	548509
43	Locknut 15mm	502739
44	Control Shaft Connector	553869
45	Switch Clamping Plate	553819
46	Control Shaft	553809
47	Ignition Safety Switch	553839
48	Gas Pressure Regulator (Suitable for all serial nos) Gas Pressure Regulator (For Serial Nos including letter G upwards)	551219 503049(P) 508199 508209(P)
49	Screw #6x 1/4" Taptite 32 t.p.i.	548609
50	Elbow-Regulator Connector	548749
51	Pressure Test Fitting Unit	548739
52	Pipe Unit-Pressure Test Unit to Valve	551229
53	Supply Inlet Pipe	551449
54	Supply Inlet Connector	551459
55	Pipe Kit (Pipe, Nut, & Ferrule)-Pilot to Valve	551229
56	Nut for pipe	551249
57	Ferrule for pipe	551259
58	Pipe Unit-Valve to Main Burner Centre Inlet	551269
59	Pipe Unit-Valve to Flame Burner Centre Inlet	551279

Key No.	Description 479 Parts	Part No.
60	Pipe Unit-Valve to Outer Burners Inlet	551289
61	Window Unit	549729
62	Log Support Base	551299
63	Wing Nut 5mm Bright	533249
64	Window Surround Trim Unit	549119
65	Control Knob	548519
66	Log #1	557649
67	Log #2	557659
68	Log #3	557669
69	Log #4	557679
70	Log #5	557689
71	Left Side Cheek	549619
72	Right Side Cheek	549629
73	Outer Rear Frame (Black)	551039
73	Outer Rear Frame (White)	519599
74	Control Position Indicator Pin	530939
75	Hood Unit (Black)	549929
75	Hood Unit (White)	507629
76	Hood Top Heatshield	549059
77	Spacer-Hood Top Heatshield	549069

Key No.	Description 479 Parts	Part No.
78	Rear Frame Locator-Short	549809
79	Rear Frame Locator-Long	549819
80	Left Side Panel-Black	547499
80	Left Side Panel-White	507649
81	Right Side Panel-Black	547489
81	Right Side Panel-White	507639
82	Upper Front Heatshield	547509
83	Hearth Fender & Apron Unit-Black	551309
83	Hearth Fender & Apron Unit-White	507659
84	Brass Andiron	549029
85	Knurled Head Screw	549109
86	Vent Unit	554319
87	Sealing Ring-Vent to Wall Plate	551329
88	Wall Plate	554329
89	Outer Vent Shield Tube	554339
90	Sealing Ring	549799
91	Wall Heatshield (incl. keys 92-94)	557699
92	Wall Heatshield Plate	508219
93	Heatshield Plate Spacer	508229
94	Sealing Ring	551329