

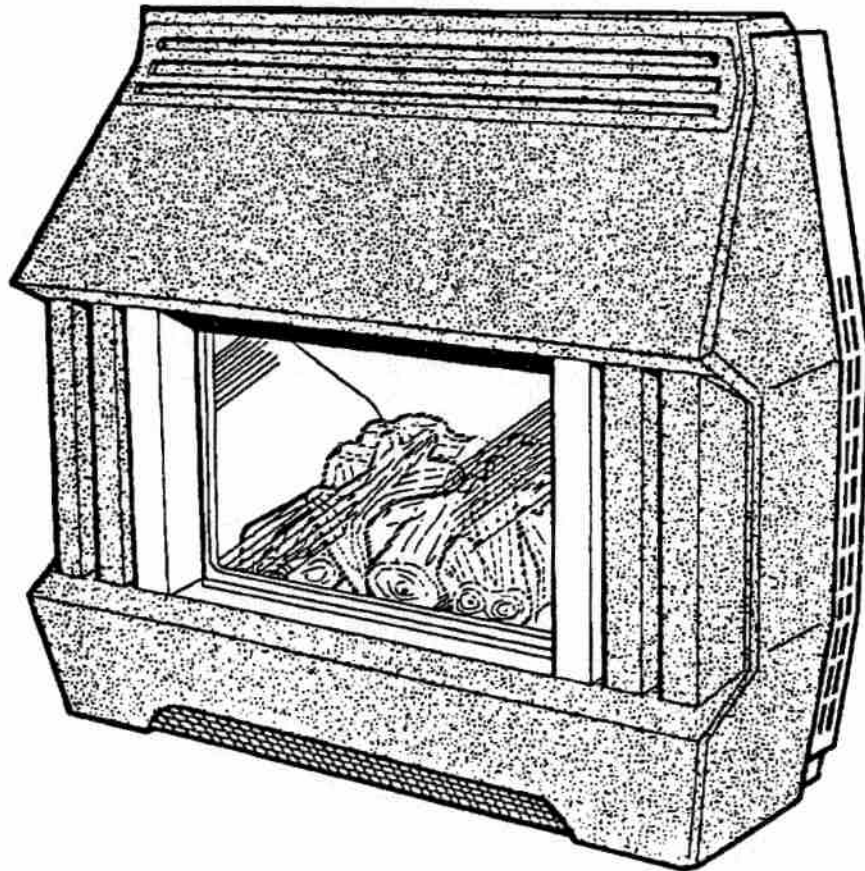
# VALOR

## Homeflame

MODELS	475ABN	—	FOR NATURAL GAS
	475APN	—	FOR NATURAL GAS
	475ABP	—	FOR PROPANE
	475APP	—	FOR PROPANE



### Gas-Fired Vented Room Heater



## INSTALLATION INSTRUCTIONS

LEAVE THESE INSTRUCTIONS WITH THE OWNER

### FOR YOUR SAFETY

Do not store or use gasoline or other flammable vapors and liquids in the vicinity of this or any other appliance.

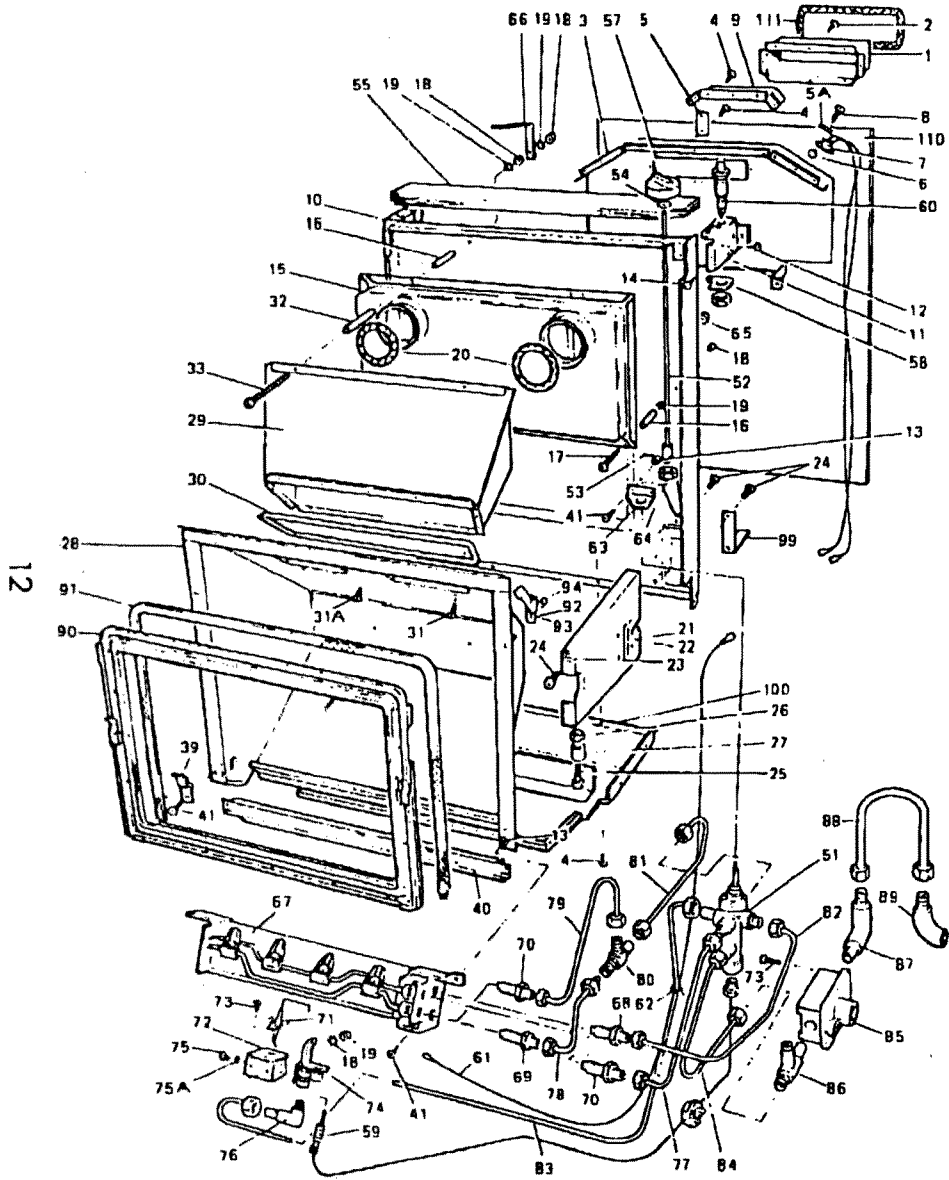
### FOR YOUR SAFETY

If your smell gas:

- |                                     |  |
|-------------------------------------|--|
| 1. Open windows.                    | 4. Extinguish any open flame.          |
| 2. Turn off main gas supply.        | 5. Immediately call your gas supplier. |
| 3. Don't touch electrical switches. |  |

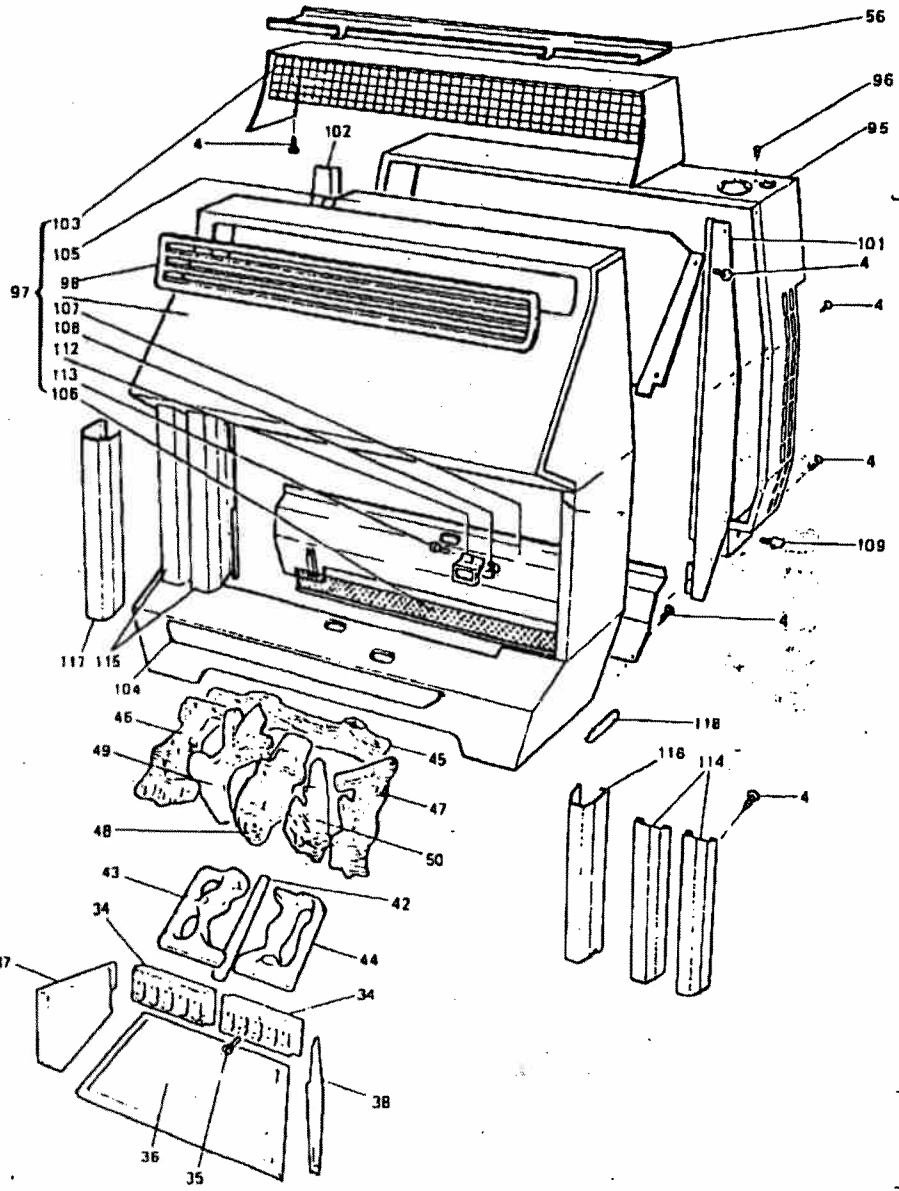
PLEASE READ THIS MANUAL BEFORE INSTALLING AND USING THE HEATER

REPAIR PART



KEY No	DESCRIPTION	TOTAL No PER APPLIANCE PART No	SPARE PART No
1	FLUE COLLAR	1	547019
2	SCREW No 10 x 1/4"	8	547479
3	FLUE BAFFLE ASSEMBLY	1	548419
4	SCREW No 8 x 1/4"	93	534629
5	VENTING REQUIREMENT PLATE	1	548429
5A	FIBER WASHER - THIN	2	532529
6	FIBER WASHER - THICK	2	549019
7	VENT SAFETY THERMOSWITCH UNIT	1	548449
8	SCREW 3 mm x 25 mm 'TAPTITE'	2	549009
9	FLUE DEFLECTOR	1	547039
10	BACK PANEL UNIT	1	550039
11	IGNITER LOCATION BRACKET	1	550039
12	SCREW 4 mm x 6 mm 'TAPTITE'	2	516349
13	NUT (PUSH TYPE) 5 mm BRIGHT	3	547649
14	SCREW 4 mm x 10 mm 'TAPTITE'	1	547909
15	HEAT EXCHANGER (INCLUDING SEALS KEY 20)	1	547659
16	SPACER - HEAT EXCHANGER TO BACK	4	547059
17	SCREW 5 mm x 40 mm	2	533579
18	NUT 5 mm HEXAGON	6	532279
19	WASHER EXTERNAL STAR 5 mm	17	515509
20	SEAL - HEAT EXCHANGER PORTS	2	547919
21	FOOT - RIGHT SIDE	1	550049
22	FOOT - LEFT SIDE	1	550059
23	NUT (PUSH TYPE) 6 mm	8	547679
24	SCREW 6 mm x 10 mm BLACK	6	547689
25	SCREW - FOOT ADJUSTMENT 6 mm x 35 mm BLACK	2	535979
26	NUT - FOOT ADJUSTMENT 6 mm HEX. BLACK	2	532259
27	SPACER - FOOT SCREW	2	548479
28	RADIANT BOX UNIT	1	547099
29	COLLECTOR BOX UNIT	1	547079
30	SEAL - COLLECTOR BOX	1	547089
31	SCREW No 8 x 1/4" NICKEL PLATED	9	536619
31A	SCREW No 8 x 1/4" NICKEL PLATED	5	54834
32	SPACER - HEAT EXCHANGER TO COLLECTOR BOX	2	547069
33	SCREW 5 mm x 80 mm	2	534069
34	REAR SUPPORT BRICKS	2	534009
35	SCREW 5 mm x 15 mm	2	534019
36	BASE BOARD	1	547129
37	LEFT SIDE CHECK	1	533989
38	RIGHT SIDE CHECK	1	533999
39	BOTTOM WINDOW RETAINER	2	548489
40	FRONT SUPPORT ROD HOLDER	1	548829
41	SCREW 5 mm x 10 mm	5	533329
42	SUPPORT ROD	10	548839
43	GRID - LEFT SIDE	1	547929
44	GRID - RIGHT SIDE	1	548849
45	LOG No 1	1	547149
46	LOG No 2	1	547189
47	LOG No 3	1	547959
48	LOG No 4	1	547209
49	LOG No 5	1	547969
50	LOG No 6	1	547979
51	GAS CONTROL VALVE	1	548609
52	CONTROL SHAFT UNIT	1	547999
53	SPLIT FIXING PIN	1	528389
54	CONTROL KNOB WASHER	1	532529
55	TOP INSULATOR	1	547799
56	UPPER HOOD SHIELD	1	550119
57	CONTROL KNOB	1	548519
58	CONTROL INDICATOR BRACKET	1	547169
59	THERMOCOUPLE & JUNCTION UNIT	1	548529
60	PIEZO ELECTRIC IGNITION GENERATOR	1	548859
61	PIEZO ELECTRIC IGNITION LEAD	1	548539
62	LEAD TIE	1	547699

### REPAIR PARTS



KEY No	DESCRIPTION	TOTAL No PER APPLIANCE	SARE PART No
63	CONTROL VALVE BRACKET	1	548019
64	CONTROL VALVE LOCKING NUT	1	502739
65	ABRASION PROTECTION WASHER	1	512509
66	INSULATOR RETAINING BRACKET	1	547789
67	BURNER UNIT	2	547789
	FOR NATURAL GAS MODELS		
	FOR PROPANE GAS MODELS		
68	GAS INJECTOR - MAIN BURNER UPPER (INNER)	1	548549
	FOR NATURAL GAS MODELS	1	549879
	FOR PROPANE GAS MODELS		
69	GAS INJECTOR - MAIN BURNER LOWER (OUTER)	1	548869
	FOR NATURAL GAS MODELS	1	549889
	FOR PROPANE GAS MODELS		
70	GAS RESTRICTOR - DECORATIVE FLAME BURNER	1	548569
71	SPARK IGNITION ELECTRODE	1	549899
72	ELECTRODE BRACKET	2	548579
73	SCREW No 6 x 1/4" TAPTITE 32 TP1	1	548589
74	PILOT UNIT	1	548599
	FOR NATURAL GAS MODELS	5	548609
	FOR PROPANE GAS MODELS		
75	SCREW 2 B.A. x 3/16" NICKEL PLATED	1	548619
75A	WASHER 5 mm NICKEL PLATED	1	549949
76	PILOT ELBOW	2	548629
77	PIPE UNIT - FLAME BURNER UPPER TO VALVE	2	548879
78	PIPE UNIT - MAIN BURNER UPPER TO VALVE	1	548639
79	PIPE UNIT - FLAME BURNER LOWER TO 'T' CONNECTOR	1	548649
80	'T' CONNECTOR	1	548659
81	PIPE UNIT - 'T' CONNECTOR TO VALVE	1	548669
82	PIPE UNIT - MAIN BURNER UPPER TO VALVE	1	548679
83	PIPE UNIT - PILOT TO VALVE	1	548689
84	PIPE UNIT - PRESSURE TAPPING UNIT TO VALVE	1	548699
85	GAS PRESSURE TAPPING UNIT TO VALVE	1	548709
	FOR NATURAL GAS MODELS	1	548719
	FOR PROPANE GAS MODELS		
86	PRESSURE TAPPING UNIT	1	548729
87	REGULATOR ELBOW	1	503049
88	PIPE UNIT - REGULATOR ELBOW TO INLET ELBOW	1	548739
89	INLET ELBOW	1	548749
90	WINDOW UNIT	1	548889
91	WINDOW SEAL	1	548899
92	TOP WINDOW RETAINER LEFT SIDE	1	547409
93	TOP WINDOW RETAINER RIGHT SIDE	1	547679
94	LOCK NUT 5 mm 'AEROTIGHT'	1	547719
95	OUTER REAR FRAME	1	547729
96	CONTROL POSITION INDICATOR PIN	2	547749
97	OUTER CASE UNIT - PEWTER (INCLUDES KEYS 98, 103, 105 to 108, 112, 113, 118)	1	550079
	OUTER CASE UNIT - BLACK (INCLUDES KEYS 98, 103, 105 to 108, 112, 113, 118)	1	530939
98	HOOD GRILL	1	550089
99	REAR SUPPORT LEGS	1	550309
100	FLOOR PLATE UNIT	1	550099
101	CASE REAR PLATE - RIGHT SIDE	2	548759
102	CASE REAR PLATE - LEFT SIDE	1	550069
103	LOWER HOOD SHIELD & MESH	1	550249
104	LEDGE TRIM STAINLESS STEEL (FOR PEWTER MODELS)	1	550259
	LEDGE TRIM BRASS (FOR BLACK MODELS)	1	550129
105	HOOD FRONT SHIELD	1	550229
106	BURNER GUARD	1	550319
107	BOTTOM FRONT HEATSHIELD	1	550169
108	BURNER VIEWING WINDOW	1	550179
109	THUMB SCREW - OUTER CASE ATTACHMENT	1	550189
110	SEALING PLATE	1	513239
111	TUB COLLAR SEALING RING	2	548919
112	BURNER WINDOW BRACKET	1	548929
113	SCREW 4mm x 6mm TAPTITE BLACK	1	549839
114	OUTER SIDE TRIM - RIGHT SIDE	1	550199
115	OUTER SIDE TRIM - LEFT SIDE	1	513359
116	INNER SIDE TRIM - RIGHT SIDE STAINLESS STEEL (FOR PEWTER MODELS)	2	550209
	INNER SIDE TRIM - RIGHT SIDE BRASS (FOR BLACK MODELS)	2	550219
117	INNER SIDE TRIM - LEFT SIDE STAINLESS STEEL (FOR PEWTER MODELS)	1	550269
	INNER SIDE TRIM - LEFT SIDE BRASS (FOR BLACK MODELS)	1	550329
118	NAMEPLATE (FOR PEWTER MODELS)	1	550279
	NAMEPLATE (FOR BLACK MODELS)	1	550339