

VALOR

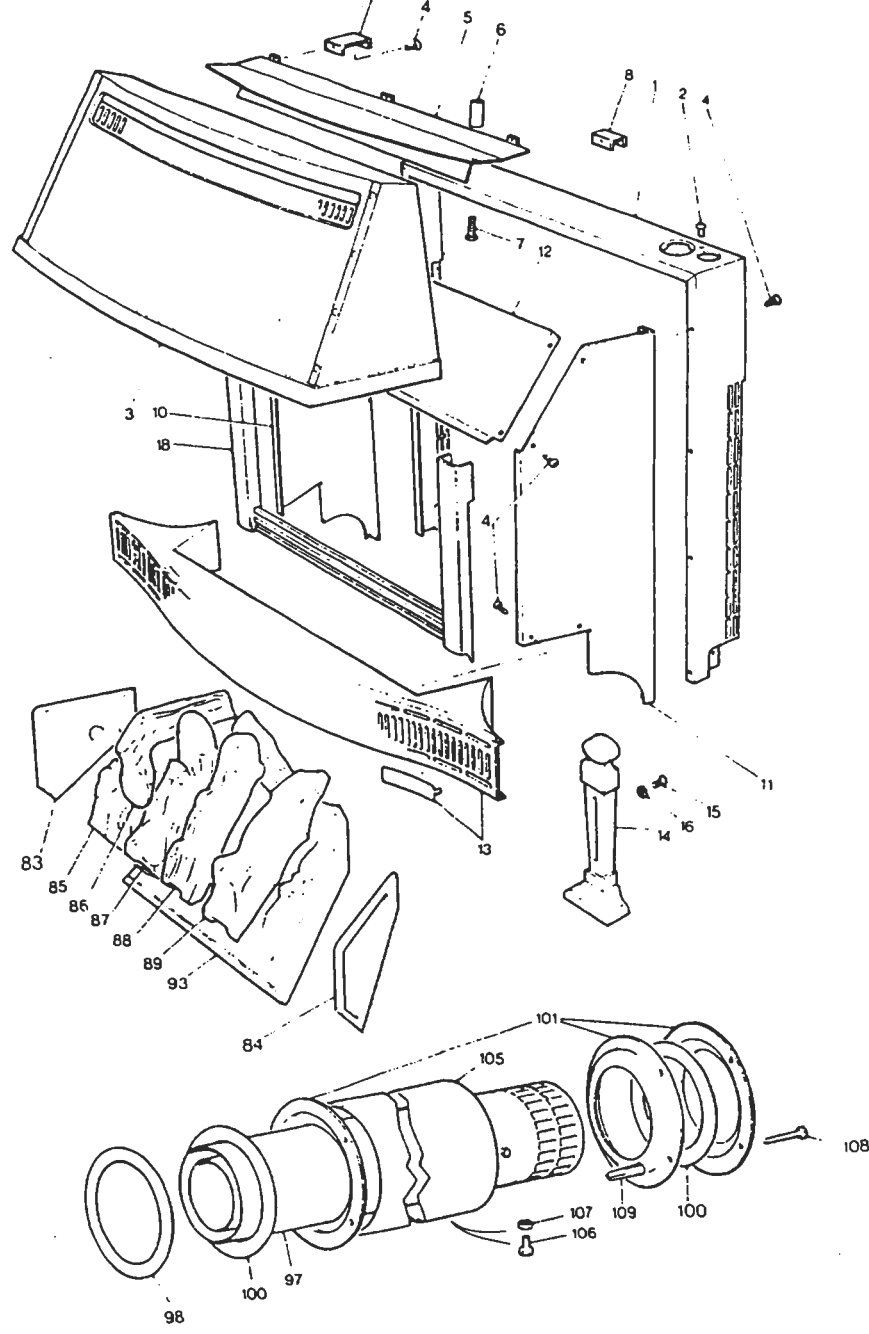
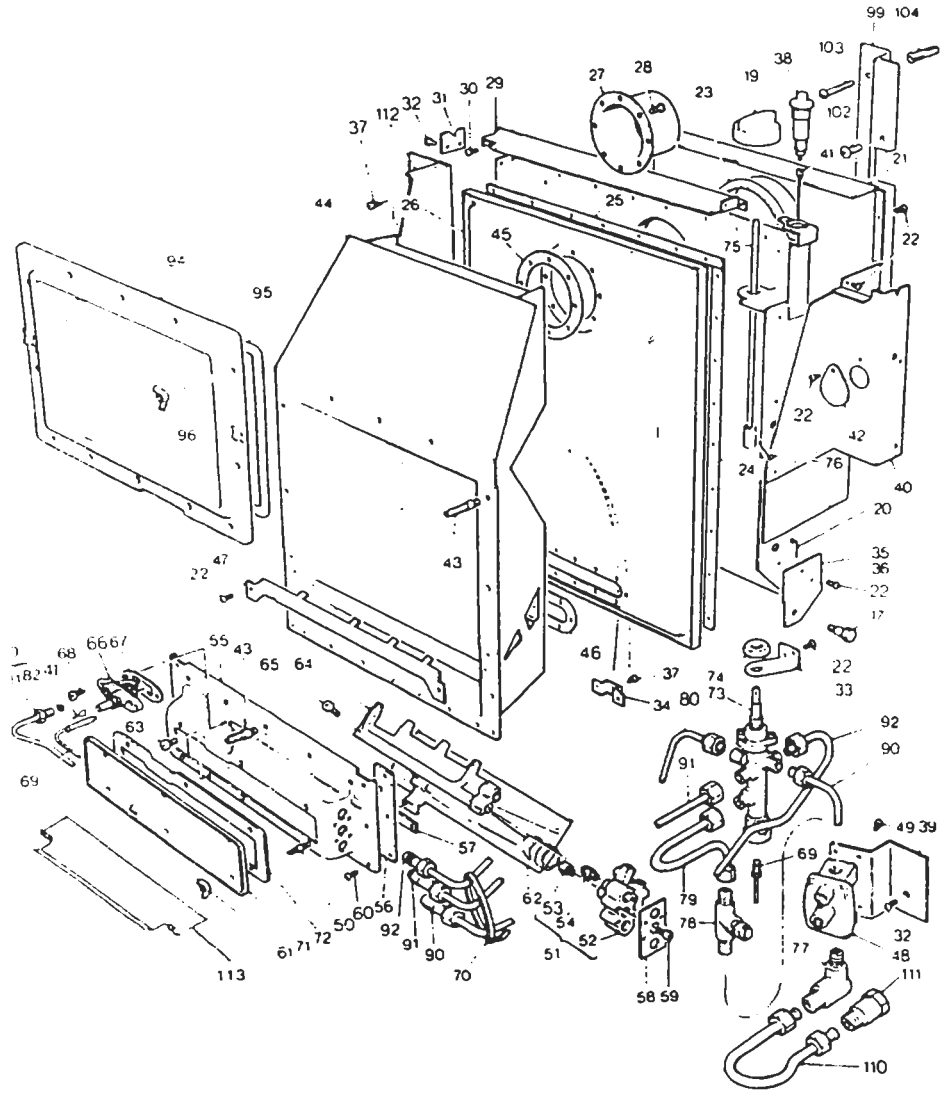


Homeflame
MODEL 470DB-N
Direct Vent Wall Furnace

REPAIR PARTS LIST

VALOR Inc.
Hendersonville, Tn.

Because our Policy is one of constant development and improvement, details may vary slightly from those given in this publication.



Key No	Description	Part No.	Quantity per Appliance		Description	Part No	
1	Outer Rear Frame	551519	1	32	Screw 5mm x 10mm	533329	3
2	Control Position Indicator Pin	530939	1	33	Control Valve Bracket	551019	1
3	Hood Unit	549929	1	34	Back Panel Spacer	550799	1
4	Screw # 8 x 3/8" Black	534629	18	35	Outer Frame Bottom Fixing Bracket - Right Side	550809	1
5	Hood Top Heatshield	549059	1	36	Outer Frame Bottom Fixing Bracket - Left Side	550819	1
6	Spacer - Hood Top Heatshield	549069	3	37	Screw # 8 x 3/8 Zinc Plated	511569	11
7	Screw # 8 x 1/2" Black	548989	3	38	Piezo Electric Ignition Generator	548859	1
8	Rear Frame Locator - Short	549809	1	39	Regulator Bracket	551049	1
9	Rear Frame Locator - Long	549819	1	40	Ignition Generator Shield Unit	551409	1
10	Left Side Panel	551529	1	41	Piezo Electric Ignition Lead	551169	1
11	Right Side Panel	551539	1	42	Generator Shield Access Cover	549299	1
12	Upper Front Heatshield	547509	1	43	Stud 5mm thread - Long	549319	12
13	Hearth Fender and Apron Unit	551549	1	44	Firebox Unit	549309	1
14	Brass Andiron	549029	2	45	Seal - Vent Port	549329	1
15	Screw 5mm x 8mm 'Taptite'	534719	4	46	Seal - Firebox Air Inlet	549339	1
16	Washer External Star 5mm	515509	4	47	Log Front Support Bar	551029	1
17	Knurled Head Screw	549109	2	48	Gas Pressure Regulator	551219	1
18	Window Surround Trim Unit	549119	1	49	Screw # 6 x 1/4" 'Taptite' 32t.p.i.	548609	4
19	Control Knob	548519	1	50	Stud 5mm thread - Short	550829	6
20	Back Panel Unit	551009	1	51	Burner Inlet Block and Injector Unit (Includes Keys 52 through 54)	551059	1
21	Rear Cooler Plate	551399	1	52	Burner Inlet Block	551069	1
22	Screw 4mm x 10mm 'Supadrive C.A.'	513509	44	53	Gas Injector - Main Burner	551079	2
23	Sealing Ring - Back Panel/Cooler Plate	549799	1	54	Gas Injector - Decorative Flame Burner	551089	2
24	Seal - Air Duct Box - Sides	549179	2	55	Burner Box Unit	551099	1
25	Seal - Air Duct Box - Top & Bottom	549189	2	56	Seal - Burner Box Sides	549549	2
26	Air Duct Box	550999	1	57	Seal - Burner Box Bottom	549559	1
27	Vent Collar	551659	1	58	Seal - Burner Inlet Block	551109	1
28	Screw 4mm x 10mm	549219	20	59	Screw - 4mm x 8mm 'Taptite' Nickel Plated	551119	4
29	Rear Heat Shield	549229	1	60	Screw - 4mm x 10mm Black	550929	13
30	Screw 3mm x 6mm 'Taptite'	547299	4	61	Wing Nut - 5mm - Black	550919	6
31	Outer Frame Top Location Bracket	549239	1	62	Main Burner	551129	1

AI

1924

PAY TO THE ORDER OF
CHECK NO. 706

No.	Description	Part No.	Quantity per Appliance	Key No.	Descr		
63	Screw 4mm x 6mm 'Taptite' Black	513359	1	94	Window Unit	551799	1
64	Decorative Flame Burner	551139	1	95	Window Seal and Staples	551809	1
65	Screw 4mm x 6mm 'Taptite' Nickel Plated	513349	1	96	Wing Nut 5mm Bright	533249	12
66	Pilot and Electrode Unit	551149	1	97	Vent Unit	551669	1
67	Seal - Pilot Unit	551159	1	98	Vent Inner Sealing Ring	549799	1
68	Screw 4mm x 10mm 'Taptite' Black	513059	2	99	Wall Mounting Rail	551319	2
69	Thermocouple	551179	1	100	Sealing Ring - Vent To Wall Plate	551329	2
70	Lead Securing Tie	547699	2	101	Wall Plate	551339	3
71	Burner Access Cover	551189	1	102	Screw 6mm x 20mm	551819	4
72	Seal - Access Cover	551199	1	103	Woodscrew # 12 x 1 1/2"	551419	4
73	Control Valve	548509	1	104	Wall Plug for # 12 x 1 1/2" Screw	549769	4
74	Locknut 15mm	548379	1	105	Outer Vent Shield Tube	551349	1
75	Control Shaft Unit	551209	1	106	Screw # 10 UNC x 1/2"	551359	3
76	Split Fixing Pin	536949	1	107	Nut # 10 UNC	551369	3
77	Elbow - Regulator Connector	548749	1	108	Woodscrew # 8 x 1 1/4"	551429	8
78	Pressure Test Fitting Unit	548739	1	109	Wall Plug for # 8 x 1 1/4" Screw	551439	8
79	Pipe Unit - Pressure Test Unit to Valve	551229	1	110	Supply Inlet Pipe	551449	1
80	Pipe Kit (Pipe, Nut & Ferrule) - Pilot to Valve (Includes keys 81, 82)	551239	1	111	Supply Inlet Connector	551459	1
81	Nut for Pipe	551249	1	112	Heat Shield - Left Side	551469	1
82	Ferrule for Pipe	551259	1	113	Floor Heatshield	551649	1
83	Left Side Cheek	549619	1	Not Shown	Wall Drilling Template	551389	1
84	Right Side Cheek	549629	1				
85	Log # 1	550729	1				
86	Log # 5	549679	1				
87	Log # 2	549649	1				
88	Log # 4	549669	1				
89	Log # 3	549659	1				
90	Pipe Unit - Valve to Main Burner Center Inlet	551269	1				
91	Pipe Unit - Valve to Flame Burner Center Inlet	551279	1				
92	Pipe Unit - Valve to Outer Burners Inlet	551289	1				
93	LOG SUPPORT BASE	551299	1				