

Valor® P2 200A

February 2024

1/3

Co-Axial Flex Venting—Full Insert w/590CFA

Complete Installation Into an Existing Fireplace with 590CFA

The appliance can be installed completely inserted into the non-combustible cavity as illustrated.

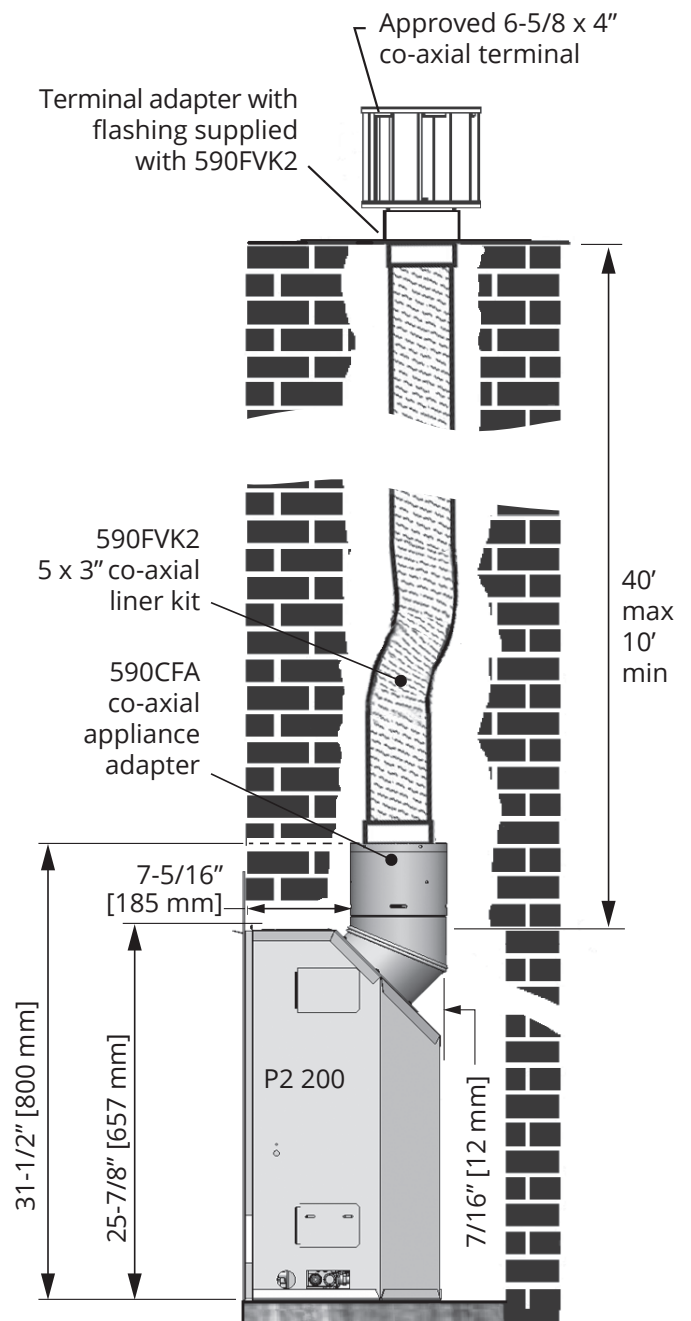
In this case, the firebox zero clearance standoffs supplied with the heater are not required.

Required venting components:

- Valor 590CFA—Co-axial 4 x 6-5/8 to 3 x 5 vent adapter;
- Valor 590FVK2 Flex Vent Kit;
- High wind vertical co-axial vent terminal cap or low profile co-axial vertical termination.

NOTE

See 590CFA and 590FVK2 installation manuals for complete instructions.



Valor® P2 200A

February 2024

2/3

Co-Axial Flex Venting—Partial Insert w/590CFA

Partial Installation Into an Existing Chimney or Into an Adjacent Chimney with 590CFA

The appliance's venting system can be partially inserted into the non-combustible adjacent chimney as illustrated below.

In this case, the appliance must be completely framed and maintain clearances to combustibles as shown in this manual.

Required venting components:

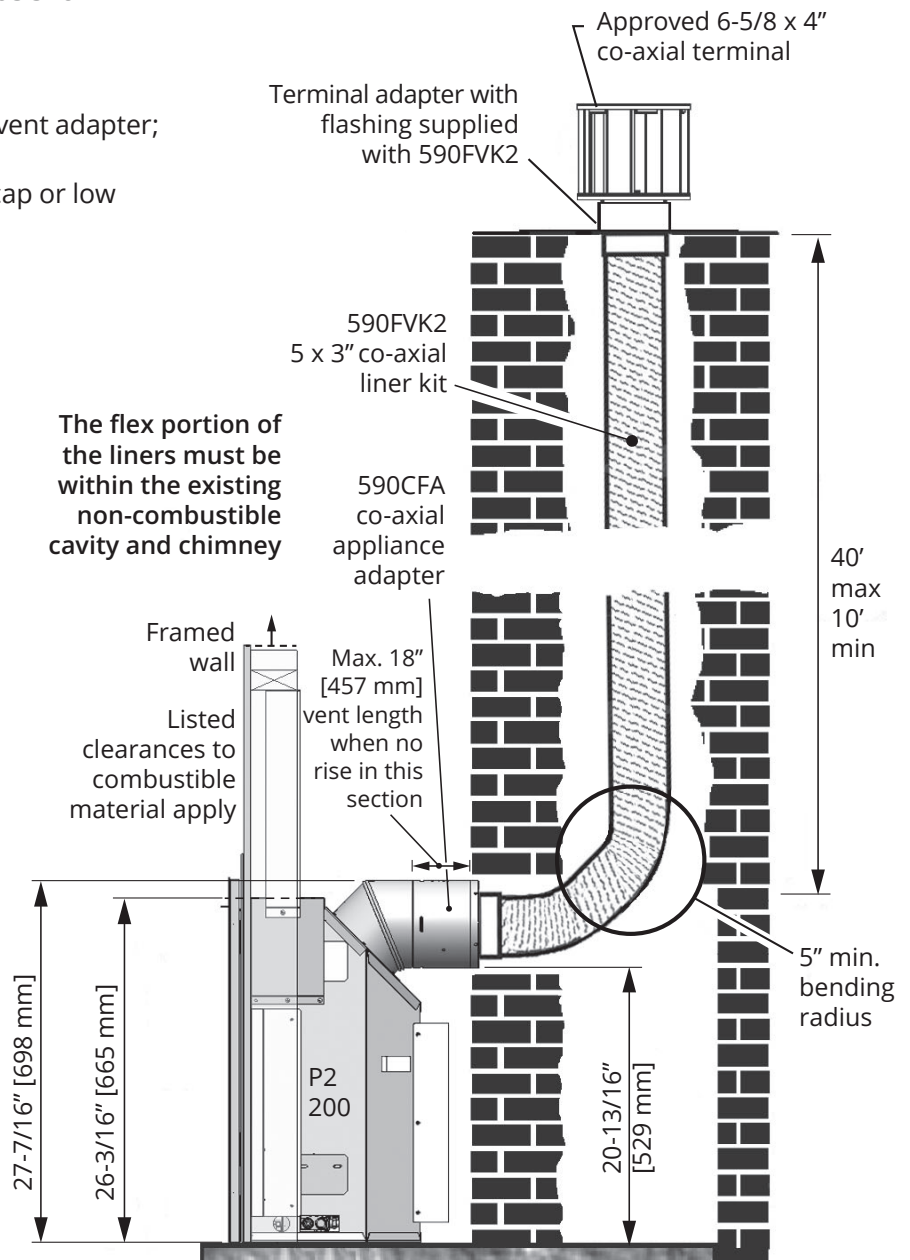
- Valor 590CFA—Co-axial 4 x 6-5/8 to 3 x 5 vent adapter;
- Valor 590FVK2 Flex Vent Kit;
- High wind vertical co-axial vent terminal cap or low profile co-axial vertical termination.

NOTE

This appliance must be completely framed and maintain clearances to combustibles as shown in this manual.

NOTE

See 590CFA and 590FVK2 installation manuals for complete instructions.



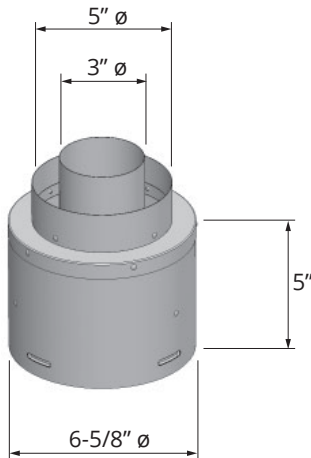
valor P2 200A

February 2024

3/3

Co-Axial Flex Venting—with 1156CLA

Co-axial to Flex Co-axial Adapter



Use with 590FVK2 + Co-axial Terminal Cap
(both sold separately)

590CFA—Co-axial Flex Adapter

