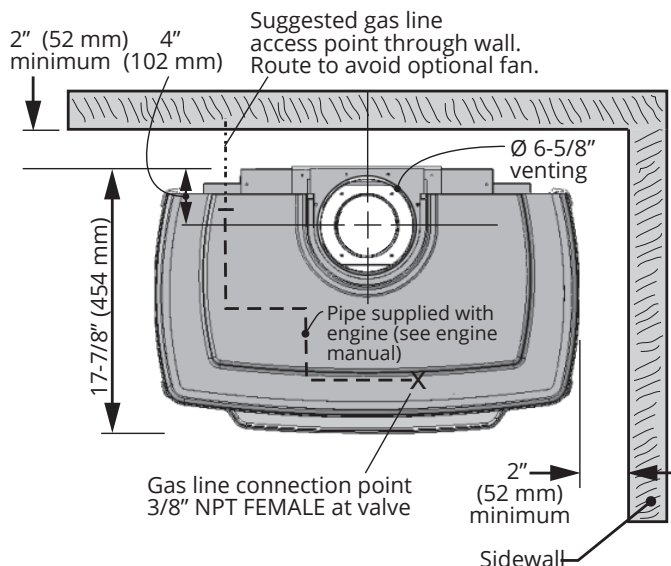


Valor[®] Madrona

Nov 2024

1/2

MF28V Madrona Traditional Stove— Dimensions and Clearances



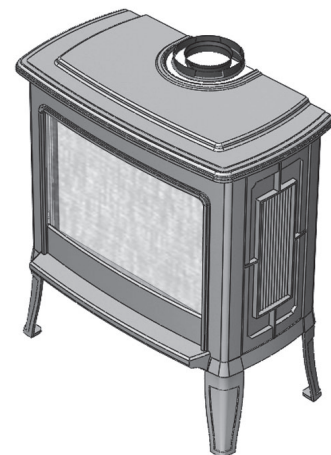
Input

NG: 26,000 / 15,500 Btu
LPG: 24,000 / 15,200 Btu

Venting

Top or Rear Outlet
(co-axial, co-axial flex)

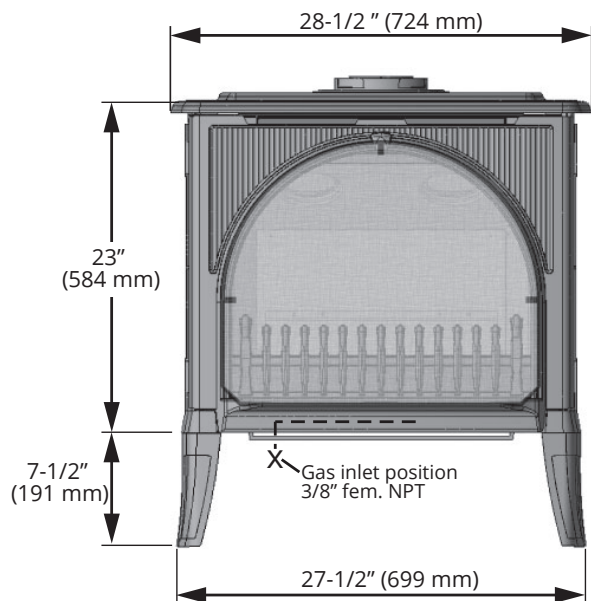
Same with Arched or Square fronts



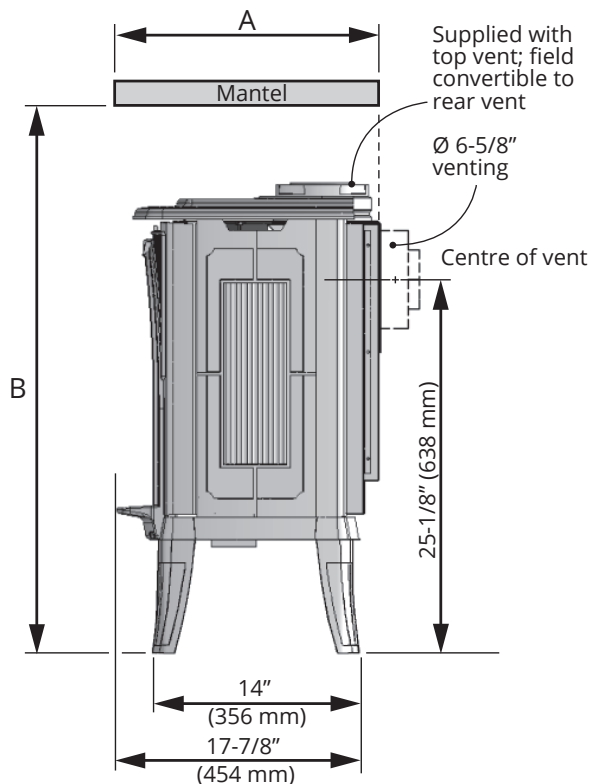
Mantel / shelf clearances

	0-1	2-5	6-18	19-24
Mantel Depth 'A'	[0-26]	[51-127]	[152-457]	[483-610]
Mantel Height 'B'	34	36	38	42
	[864]	[914]	[965]	[1067]

Top View



Front View



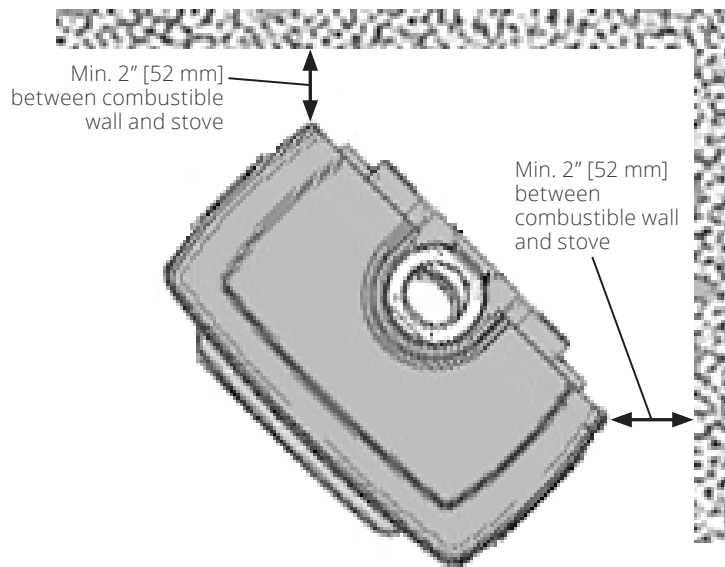
Right Side View

Valor[®] Madrona

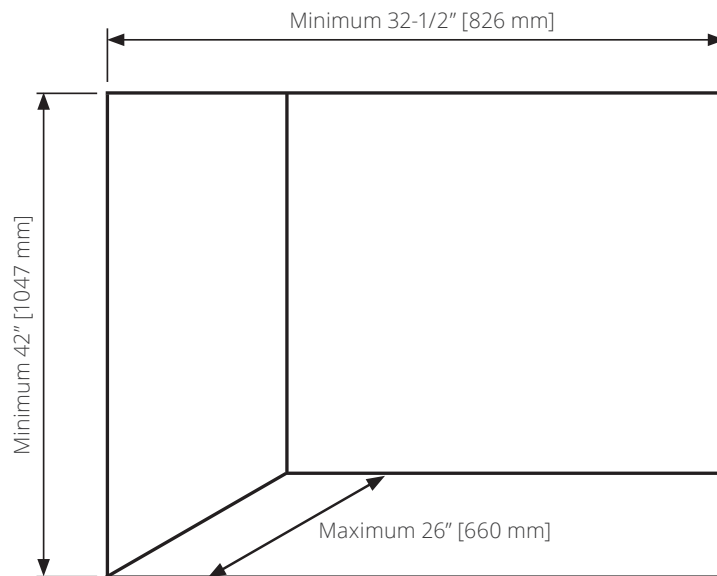
Nov 2024

2/2

MF28V Madrona Traditional Stove— Dimensions and Clearances



Corner Clearances



Alcove Clearances