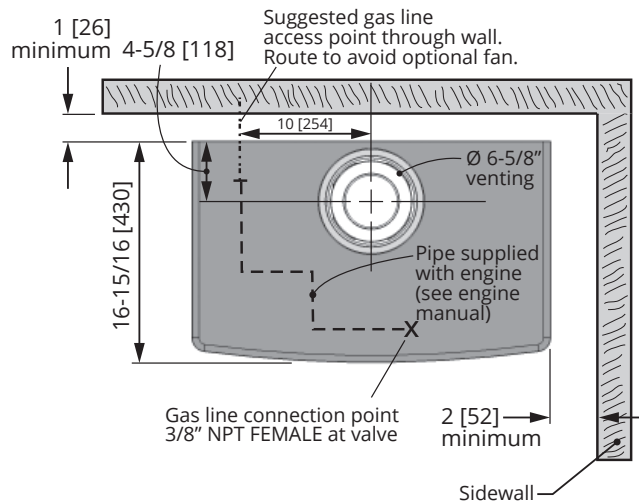


Valor[®] Madrona

Nov 2024

1/2

MF28V Madrona Modern Stove— Dimensions and Clearances



Top View

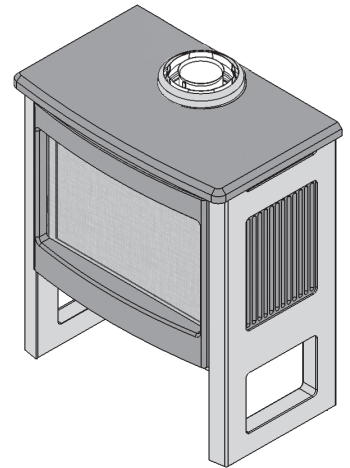
Input

NG 26,000 / 15,500 Btu

LPG 24,000 / 15,200 Btu

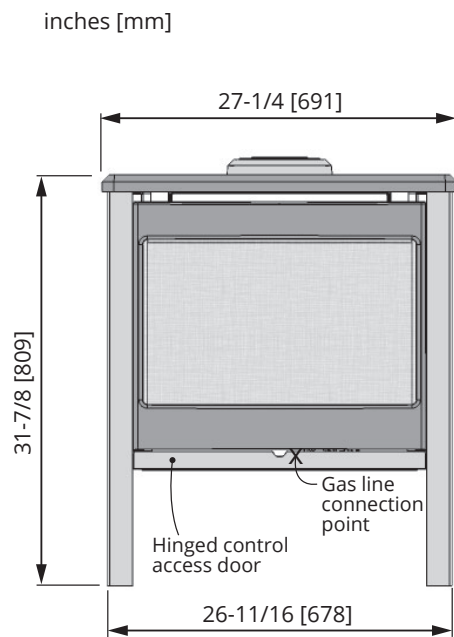
Venting

Top or Rear Outlet
(co-axial, co-axial flex)

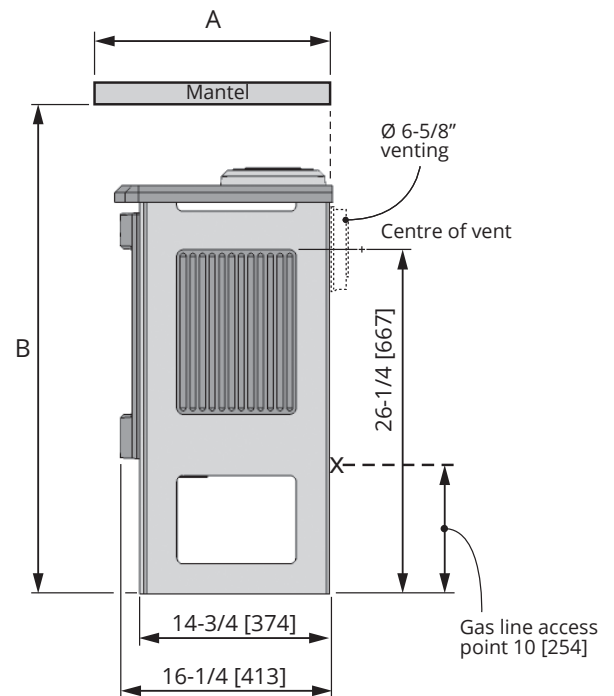


Mantel / shelf clearances inches [mm]

	0-1 [0-26]	2-5 [51-127]	6-18 [152-457]	19-24 [483-610]
Mantel Depth 'A'				
Mantel Height 'B'	34 [864]	36 [914]	38 [965]	42 [1067]



Front View



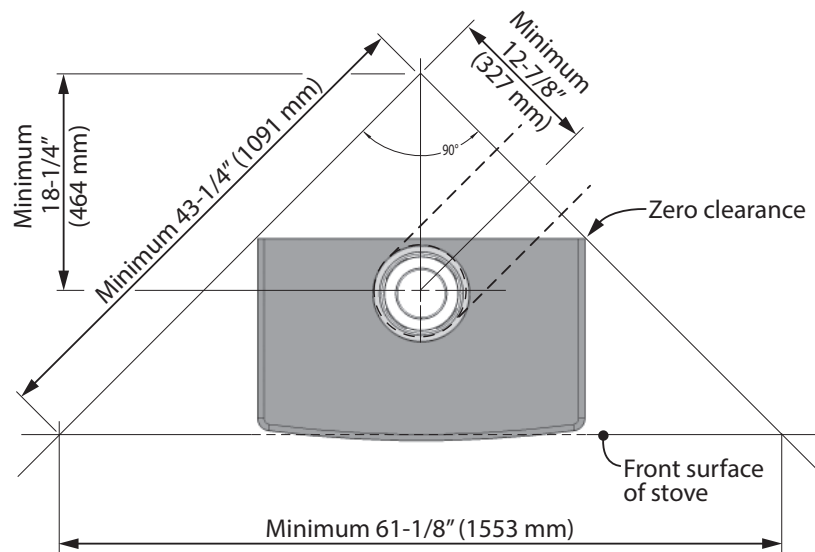
Right Side View

Valor[®] Madrona

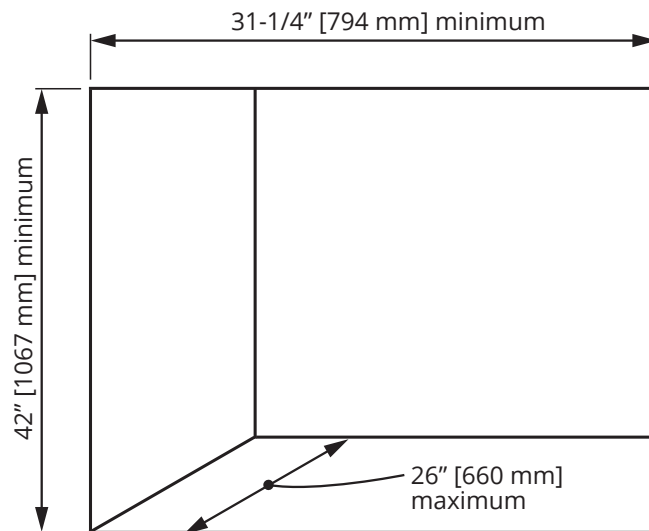
Nov 2024

2/2

MF28V Madrona Modern Stove— Dimensions and Clearances



Corner Dimensions



Alcove Clearances