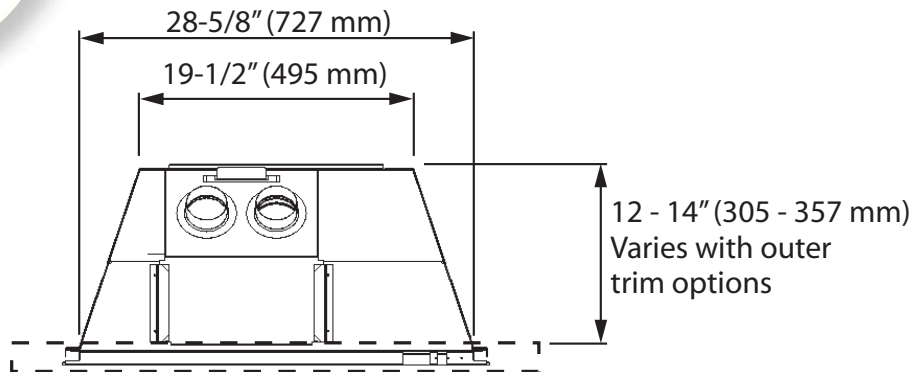
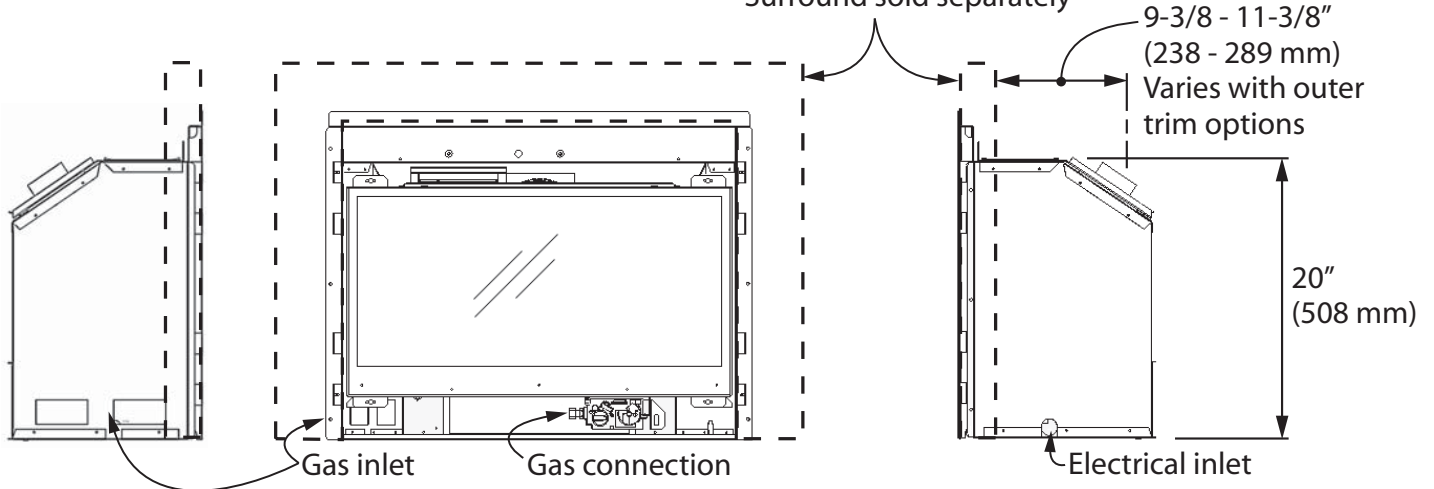


Dimensions



Optional Outer Trim or Surround sold separately



Cavity

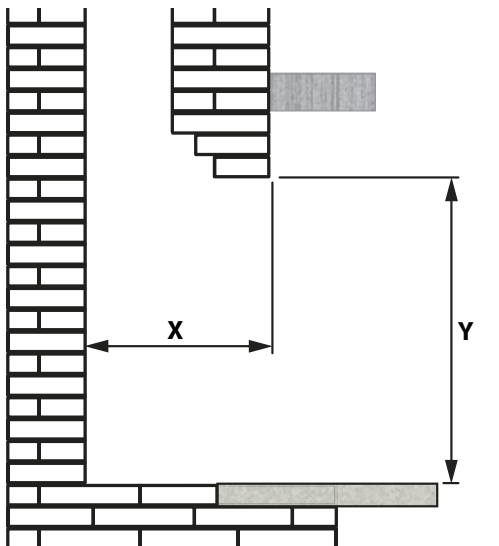
Check that masonry step does not interfere with install dimensions or vent pipe.

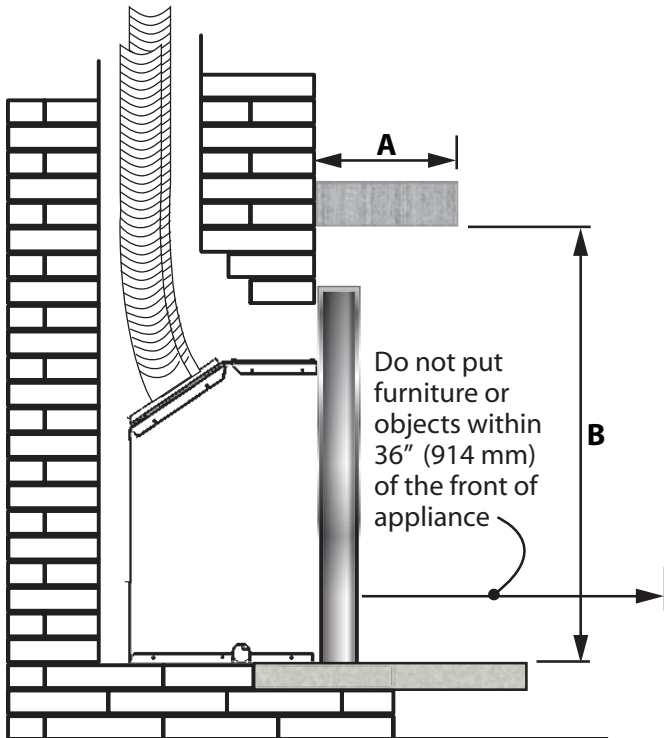
If mantel is combustible, see *Clearances* next page for allowable clearances.

Minimum width of fireplace opening at front: 28" (711 mm)

X = 12-14" (305-357 mm)—varies with outer trim options

Y = 20" (508 mm); 24" (610 mm) when using 763—Backing Plate





Combustible Mantel Clearances

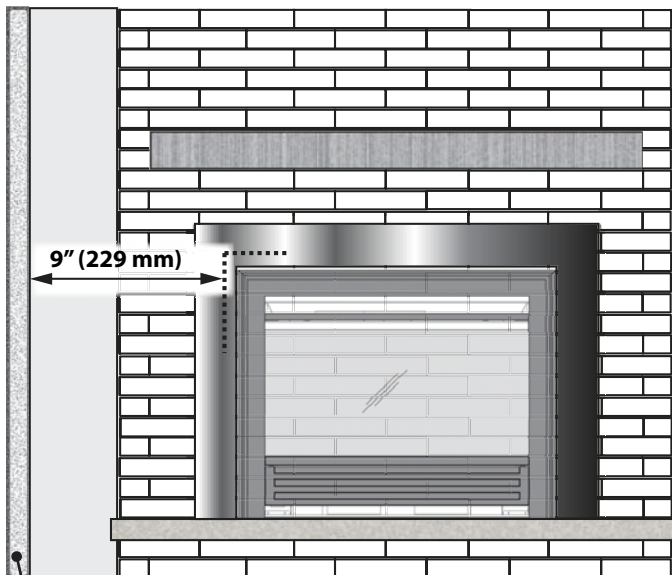
Mantel Pro- jection A	1" (25 mm)	1"– 6" (25–152 mm)	9" (229 mm)	12" (305 mm)
Mantel Height B*	36" (914 mm)	39" (991 mm)	42" (1067 mm)	45" (1143 mm)

*Measure taken from the underside of the mantel to finished hearth or surface that the unit is sitting on.

Finishing Materials

Combustible materials: Material such as wood, compressed paper, plant fibers, plastics or any material capable of igniting and burning, whether flame-proofed or not, plastered or un-plastered.

Non-combustible materials: Material such as steel, iron brick, tile, concrete or materials that bear the UL mark for zero (0) fire rating.



sidewall

Sidewall Clearances

Minimum distance from side of appliance (liner box) to combustible wall: 9" (229 mm).

Mantel legs projecting forward less than 6" (152 mm) may be located within 5" (127 mm) of the side of the appliance (liner box).