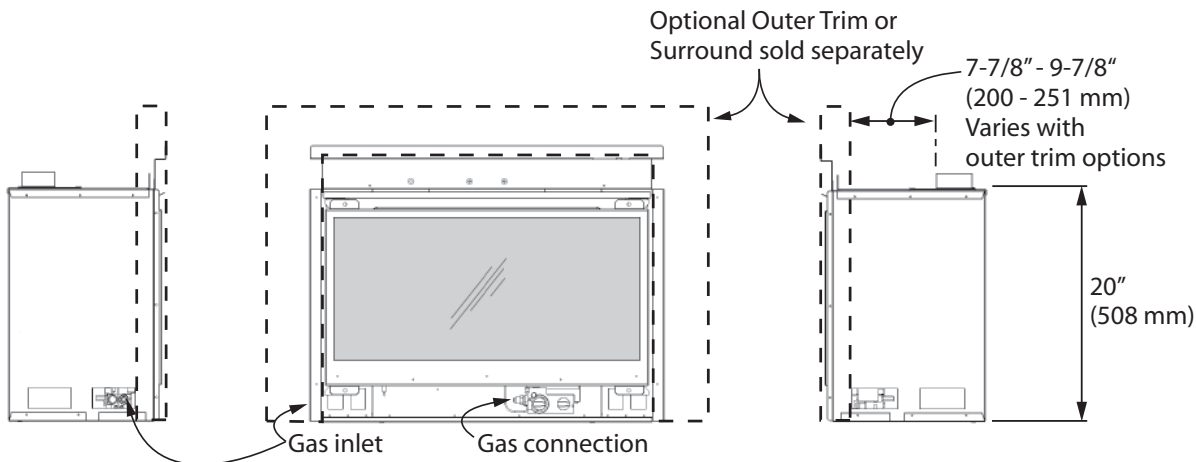
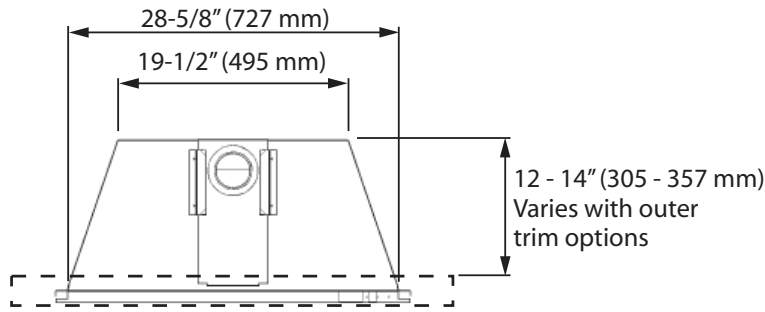
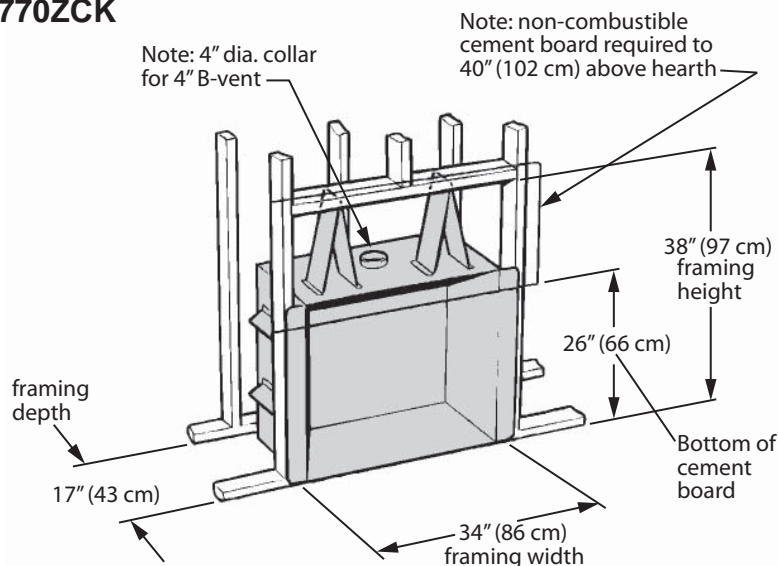


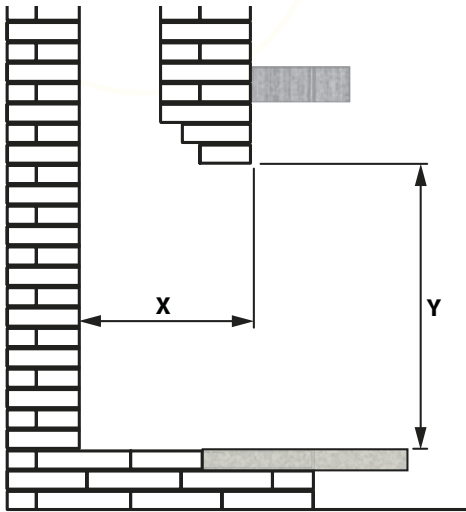
This appliance, as supplied, may ONLY be installed in an existing unaltered, functioning solid-fuel burning fireplace with a working flue and constructed of non-combustible material. This appliance is APPROVED for installation into combustible type construction only when using the 770ZCK Zero Clearance Kit (see separate instructions packaged with the kit for details).

## Dimensions



## 770ZCK





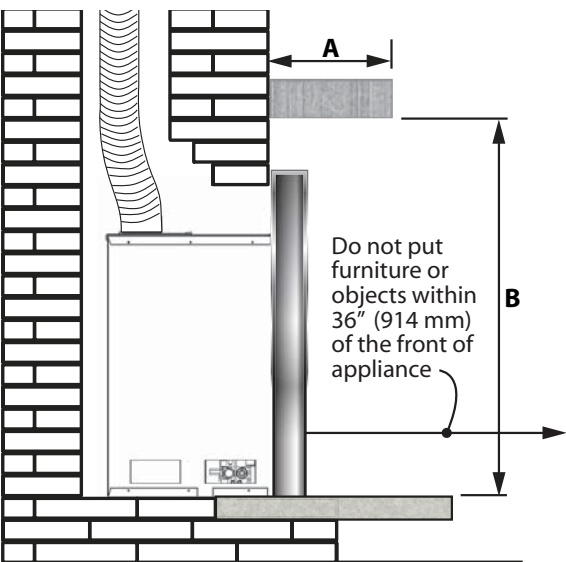
### Cavity

Check that masonry step does not interfere with install dimensions or vent pipe.

If mantel is combustible, see *Clearances* next page for allowable clearances.

Minimum width of fireplace opening at front: 28" (711 mm)

X = 12–14" (305–357 mm)—varies with outer trim options  
Y = 20" (508 mm)



### Combustible Mantel Clearances

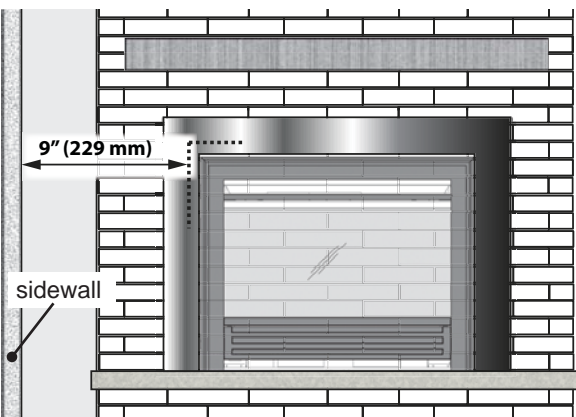
<b>Mantel Projection A</b>	1" (25 mm)	1"– 6" (25–152 mm)	9" (229 mm)	12" (305 mm)
<b>Mantel Height B*</b>	36" (914 mm)	39" (991 mm)	42" (1067 mm)	45" (1143 mm)

\*Measure taken from the underside of the mantel to finished hearth or surface that the unit is sitting on.

### Finishing Materials

**Combustible materials:** Material such as wood, compressed paper, plant fibers, plastics or any material capable of igniting and burning, whether flame-proofed or not, plastered or un-plastered.

**Non-combustible materials:** Material such as steel, iron brick, tile, concrete or materials that bear the UL mark for zero (0) fire rating.



### Sidewall Clearances

**Minimum** distance from side of appliance (liner box) to combustible wall: 9" (229 mm).

Mantel legs projecting forward less than 6" (152 mm) may be located within 5" (127 mm) of the side of the appliance (liner box).