

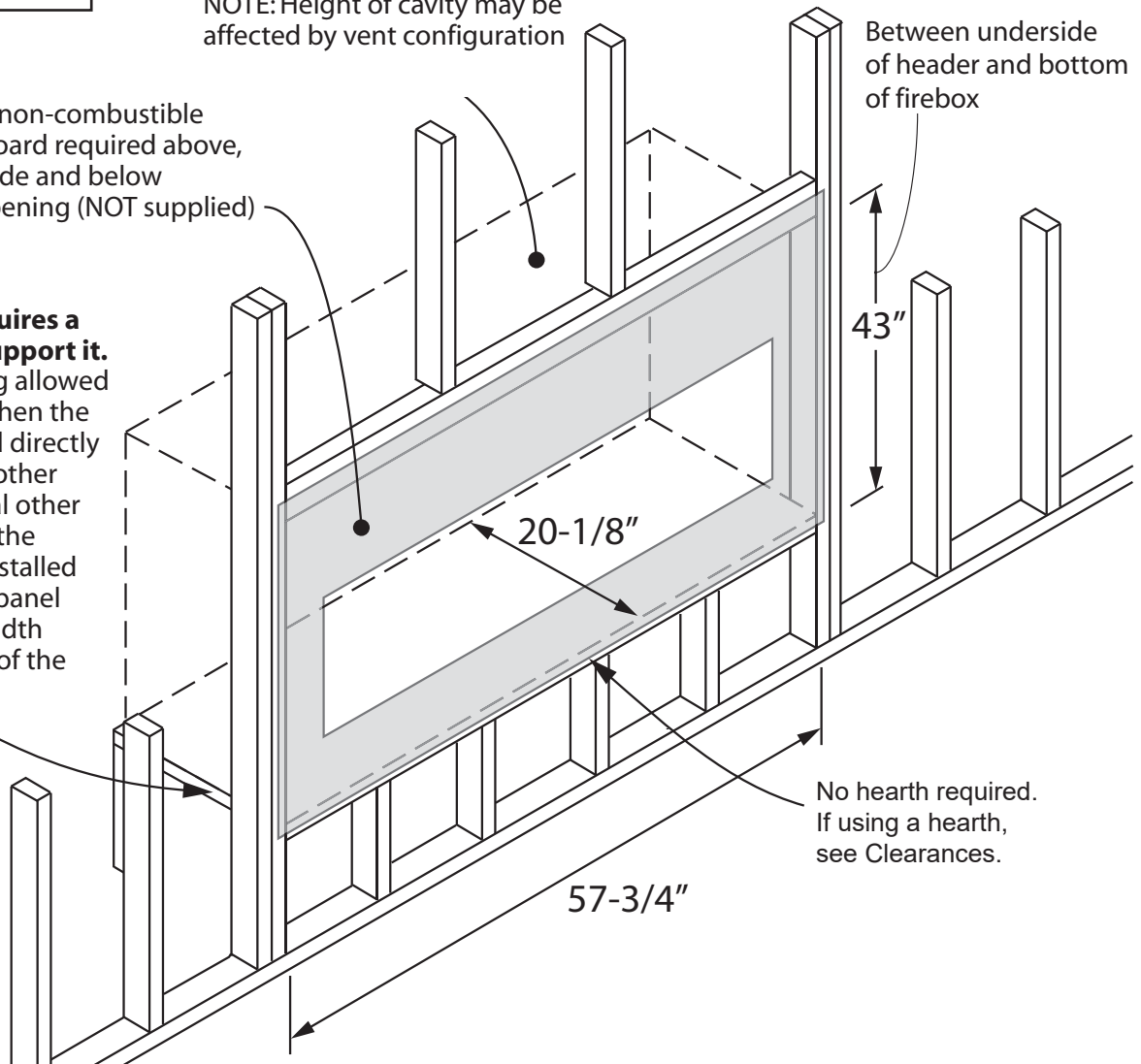
Framing Dimensions

Note: If using optional LDK Duct Kit, refer to LDK instructions packed with kits as framing is affected.

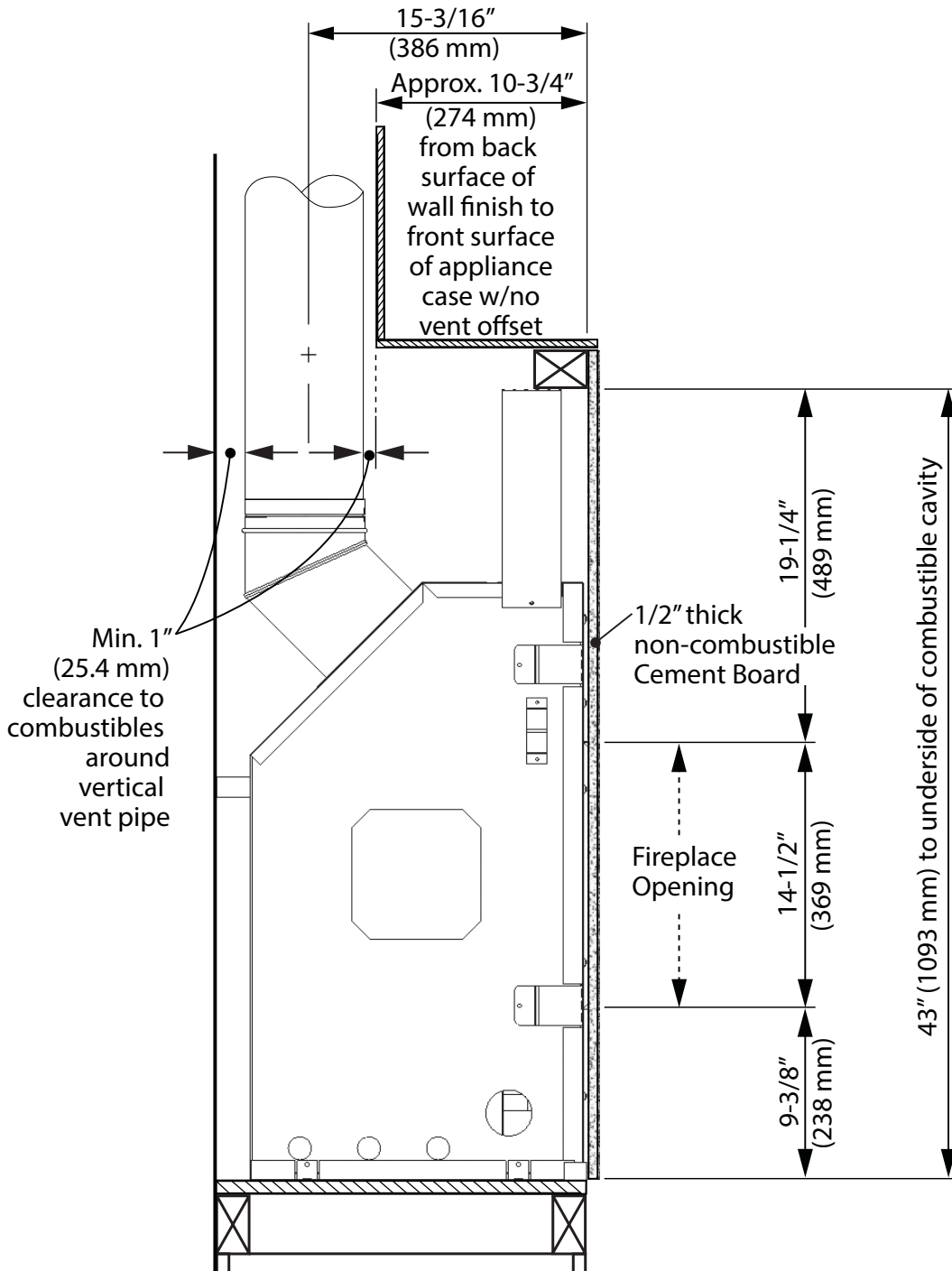
NOTE: Height of cavity may be affected by vent configuration

1/2" thick non-combustible cement board required above, on each side and below engine opening (NOT supplied)

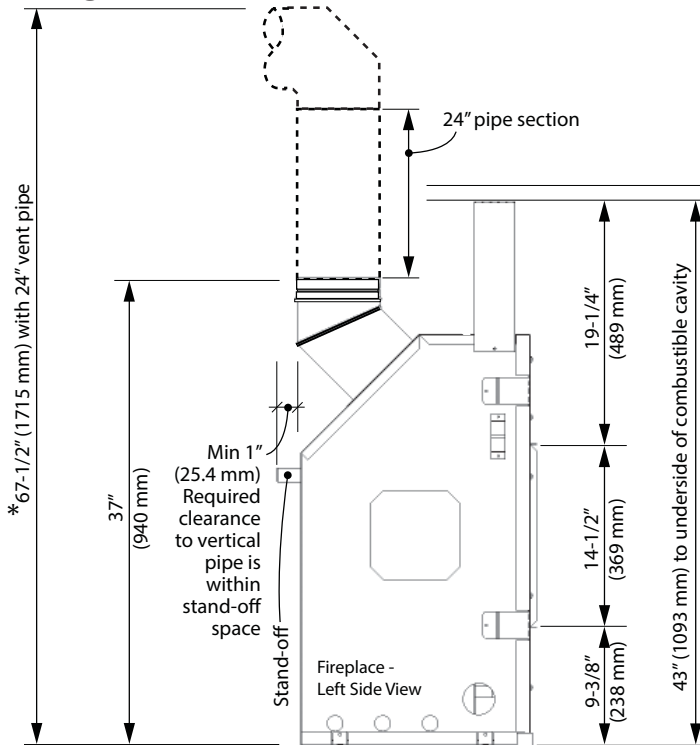
NOTE: This unit requires a solid platform to support it. Combustible framing allowed beneath fireplace. When the appliance is installed directly on carpeting, tile or other combustible material other than wood flooring, the appliance shall be installed on a metal or wood panel extending the full width and recessed depth of the appliance



Framing with Partial Shelf—Top Outlet



Venting Considerations—Vertical Takeoff



*Notes—ALL venting considerations

- Dimensions of venting are based on using Dura-Vent elbows. Elbow curve radius dimensions will vary when using other brands. In general, other brands have slightly bigger radius.
- Minimum 24 inches vertical pipe section required right at unit. Refer to venting chart for allowable horizontal runs.
- 3 inches clearance to combustibles required above horizontal pipe. Slope horizontal pipe upwards 1/4 inch per foot. 1 inch clearance required around sides and bottom of horizontal pipe and around vertical pipe.
- When calculating effective pipe lengths subtract approximately 1-1/2 inch for pipe joint - for example, a 12 inches pipe section will add approximately 10-1/2 inches overall.

Venting Considerations—Horizontal Takeoff

