

## How to Read the Venting Chart

The chart below applies to co-axial roof or wall termination.

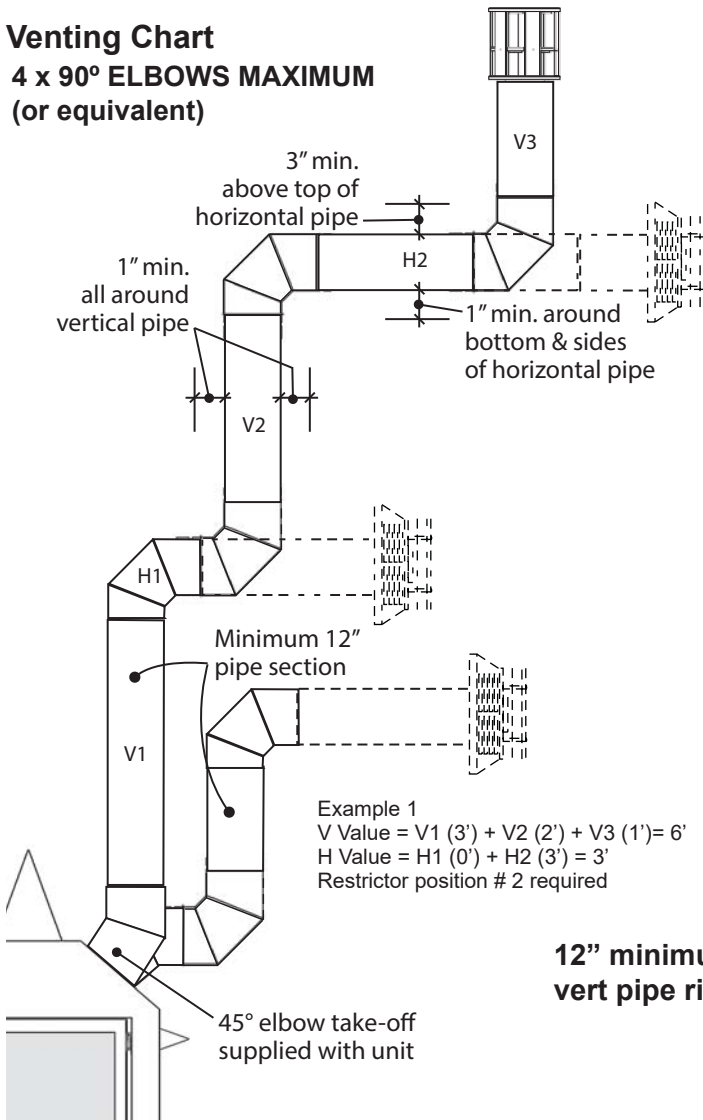
1. Minimum 12 inch vertical pipe section required within vent system either right off unit or down-stream after horizontal run.
2. The total length of the vent pipe cannot exceed 40 feet.
3. The minimum vertical height with roof termination is 6 feet.
4. Any combination of rise and run can be used as long as they are within the allowable limits shown on the chart below.
5. A maximum of 4 x 90 degrees elbows—or equivalent (2 x 45 degrees = 90 degrees)—can be used.

Excludes the 45 degrees take-off elbow shipped with the appliance.

6. Each 90 degrees elbow installed on the horizontal plane is equivalent to a 3 feet horizontal pipe; therefore, 3 feet must be subtracted from allowable horizontal run. (45 degrees elbow is equivalent to 18 inches horizontal pipe.)
7. All horizontal pipe runs must be graded 1/4 inch per foot upwards in the direction of the exhaust flow. The final pipe length, when terminating through the wall may be graded downwards slightly to prevent water migration.
8. A restrictor adjustment is required for most installations having a vertical rise—see next section.  
**Note:** The restrictor is shipped installed at the exhaust exit of the firebox.

## Venting Chart

**4 x 90° ELBOWS MAXIMUM  
(or equivalent)**



## Allowable Co-Axial Vent Configurations with restrictor positions

