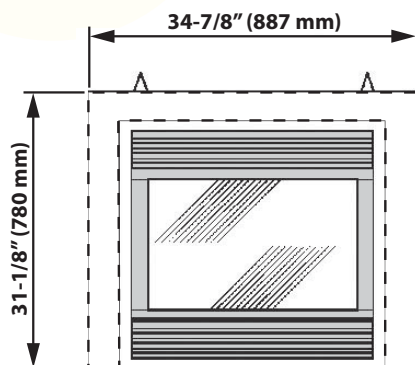
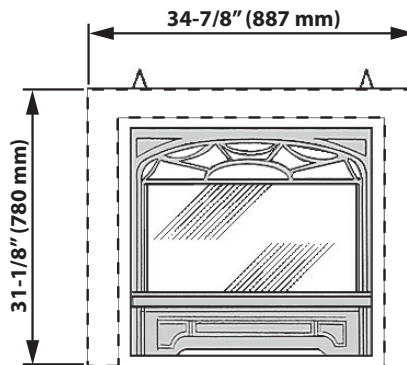


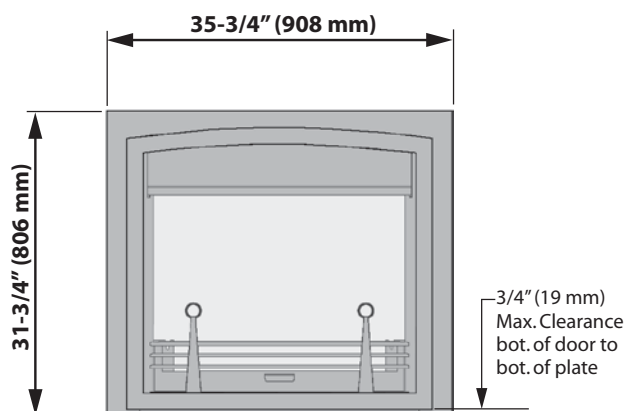
## Fronts



601SFB

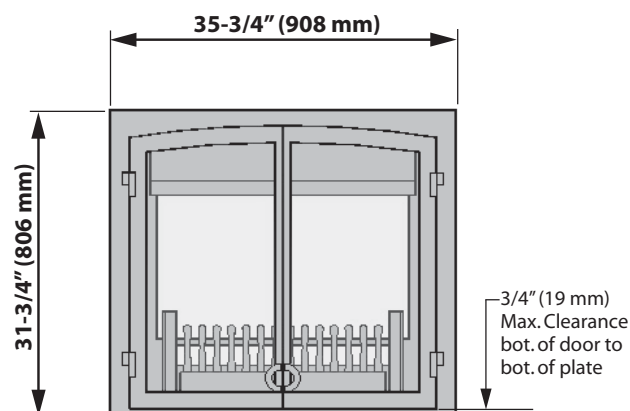


602CFB



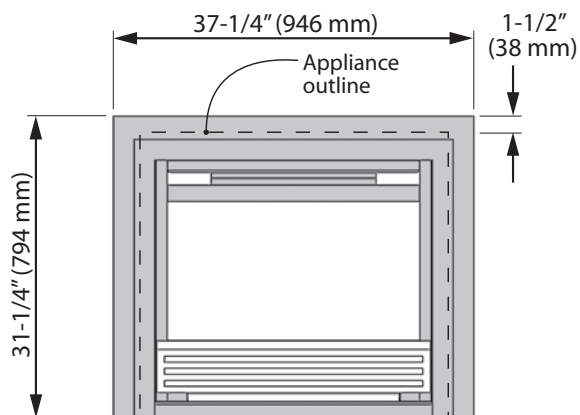
**\*NOTE: Bottom of plate is flush with bottom of heater. Install bottom of heater flush with finished hearth.**

610FVI



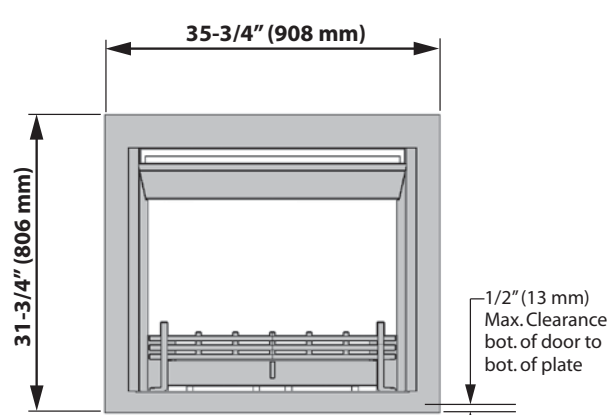
**\*NOTE: Bottom of plate is flush with bottom of heater. Install bottom of heater flush with finished hearth.**

611FVI



**\*NOTE: Bottom of plate is flush with bottom of heater. Install bottom of heater flush with finished hearth.**

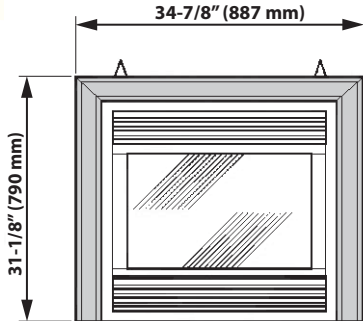
645CFV



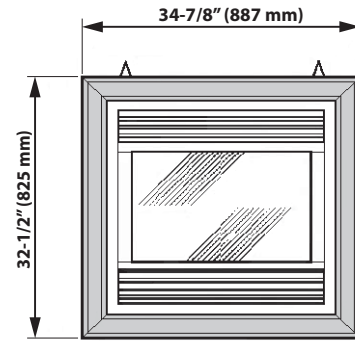
**\*NOTE: Bottom of plate is flush with bottom of heater. Install bottom of heater flush with finished hearth.**

611FVI

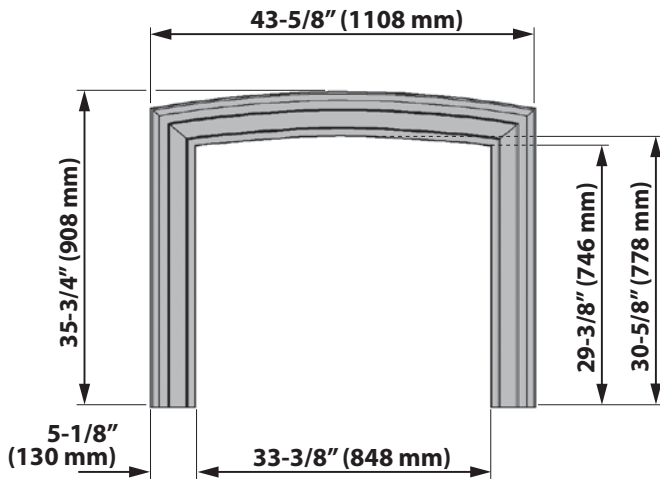
## Trims & Surrounds



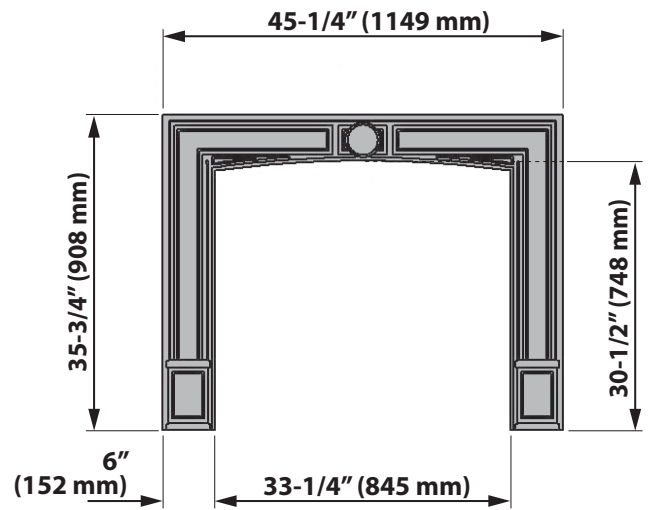
603FSK



605FSK



614CVI



615CVI

## Frets



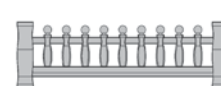
646CCB



RA24TB



RA24CV



1225VFB

## What goes with what?

goes with...	603FSK trim	605FSK trim	614CVI surround	615CVI surround	646CCB fret	RA24TB fret	RA24CV fret	1225VFB fret
<b>Fronts</b>								
601SFB Contemporain Steel	x	x	x					
602CFB Cast Traditional	x	x	x					
610FVI FenderFire Single			x	x				
611FVI FrenderFire Double			x	x				
645CFV Clearview					x	x	x	x