

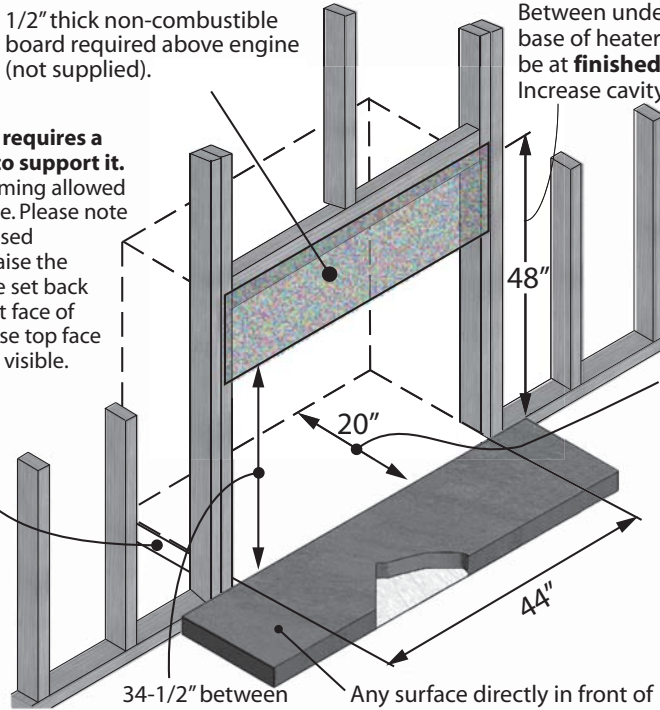
## Framing Dimensions

**Note: If using optional LDK Duct Kit, refer to LDK instructions packed with kits as framing is affected.**

**NOTE: This unit requires a solid platform to support it.** Combustible framing allowed beneath fireplace. Please note that any shims used underneath to raise the heater should be set back 1/2" behind front face of framing otherwise top face of shims may be visible.

1/2" thick non-combustible board required above engine (not supplied).

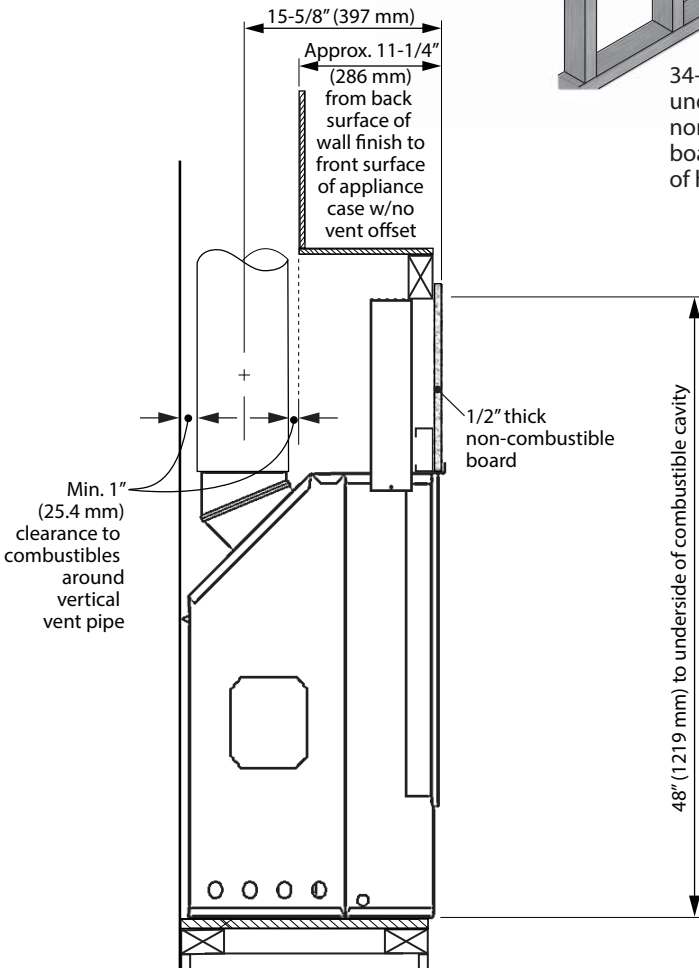
Between underside of header and base of heater. Base of heater must be at **finished hearth height**. Increase cavity height accordingly.



May be reduced by thickness of additional non-combustible wall finish applied on top of 1/2" non-combustible board when using trims other than the 1430FFK Fixed Framing Kit

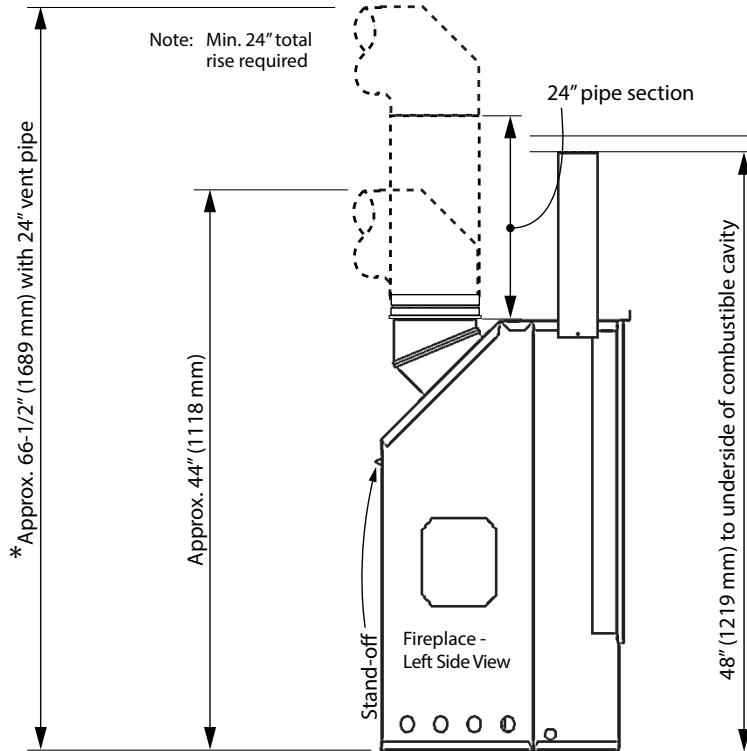
34-1/2" between underside of non-combustible board and base of heater

Any surface directly in front of the unit which is at a height of **less than 4" from the bottom of the unit must be non-combustible.**



## Framing with Partial Shelf—Top Outlet

## Venting Considerations—Vertical Takeoff



### \*Notes—ALL venting considerations

- Dimensions of venting are based on using Dura-Vent elbows. Elbow curve radius dimensions will vary when using other brands. In general, other brands have slightly bigger radius.
- 3 inches clearance to combustibles required above horizontal pipe. Slope horizontal pipe upwards 1/4 inch per foot. 1 inch clearance required around sides and bottom of horizontal pipe and around vertical pipe.
- When calculating effective pipe lengths subtract approximately 1-1/2 inch for pipe joint - for example, a 12 inches pipe section will add approximately 10-1/2 inches overall.

## Venting Considerations—Horizontal Takeoff

