

Conversion to Co-Linear Liners using Valor 1156CLA Co-Linear Adapter

Co-linear portion of vent system may only be installed within a solid-fuel burning fireplace and chimney.

The appliance must not be connected to a chimney flue serving a separate solid-fuel burning appliance.

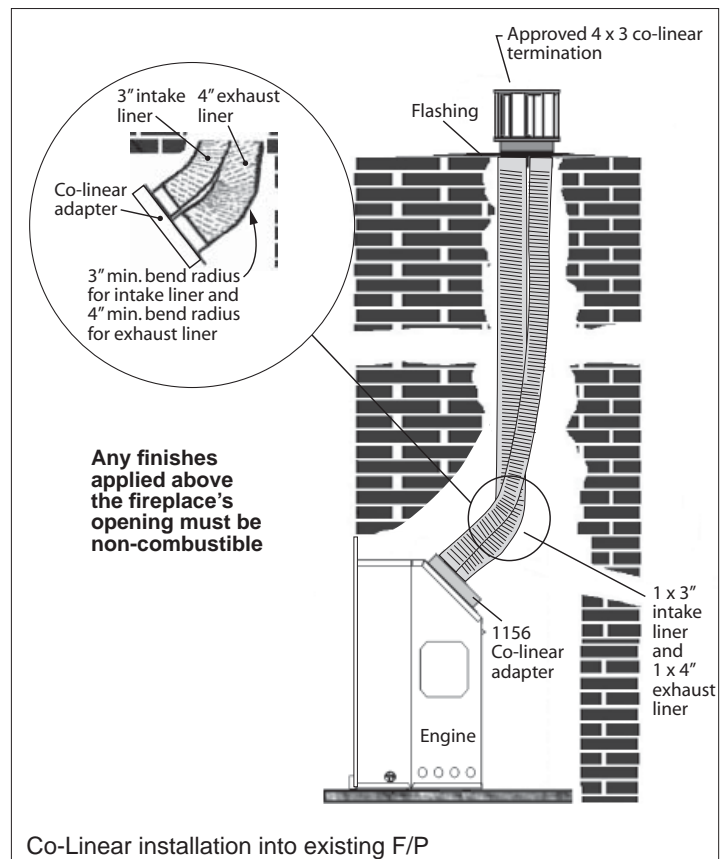
Requires the Valor Co-Axial to Co-Linear appliance Adapter 1156CLA, two lengths of 2-ply, one 3" and one 4" diameter flexible chimney liner approved for venting gas appliances, a co-linear termination kit and flashing or a co-linear to co-axial adapter and either a high wind vertical vent terminal cap or a low profile vertical termination.

Note: A 3" diameter exhaust liner may be used if conditions will not allow for the 4" exhaust liner. Cold start-up problems may be experienced however when using a 3" exhaust liner.

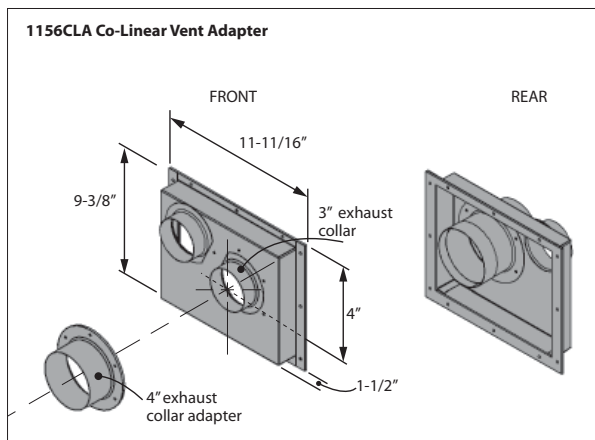
Firebox zero clearance standoffs supplied with the heater are not required for this application.

Rules for Co-Linear Venting

- Maximum 40 feet vertical pipe
- Minimum 10 feet vertical
- Maximum offset 8 feet with liners at minimum 45 degrees from horizontal plane
- Restrictor: Use #4 position for all co-linear installations—refer to heater installation manual for restrictor information



Co-Linear installation into existing F/P

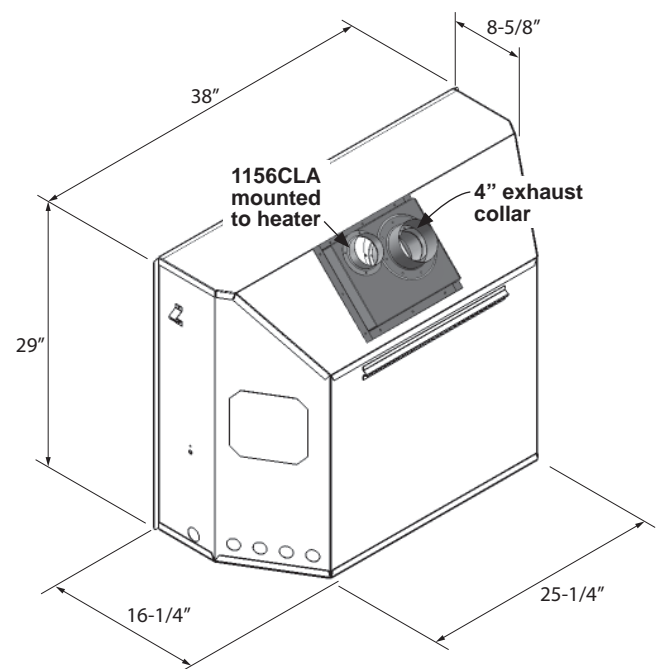


Dimensions with co-linear adapter

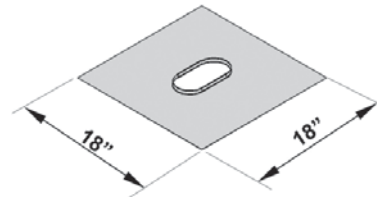
Dimensions shown are with Valor 1156 co-linear adapter.

Installation

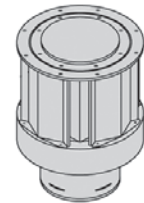
For installation of the adapter to the appliance, see the instructions supplied with the 1156CLA.



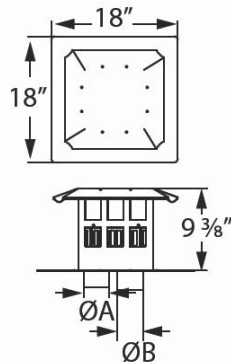
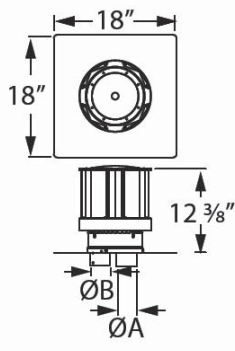
Example of co-linear terminal configurations



Flashing Kit



Terminal Cap



Co-linear terminal kits