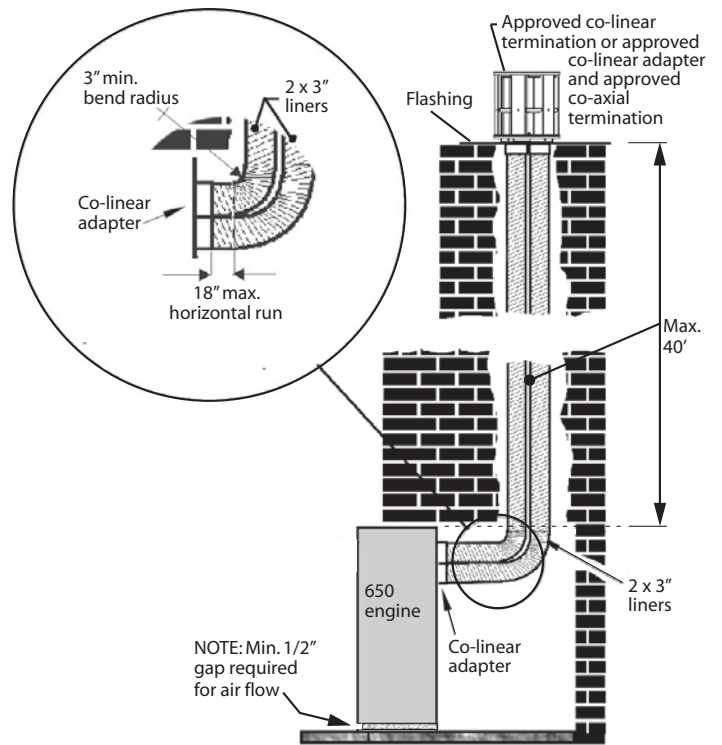
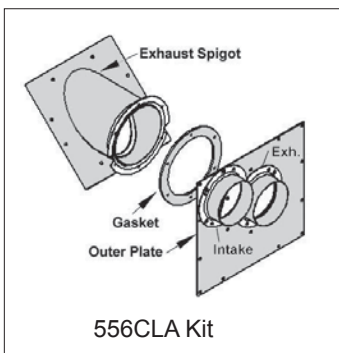


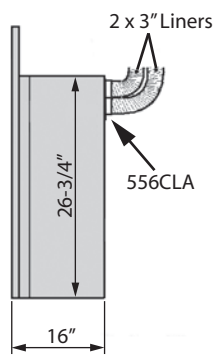
The 556 CLA Co-Linear adapter is a **field installed** kit to convert listed direct vent heaters from solid co-axial piping to flexible 3", side by side, co-linear piping for installation into existing solid fuel fireplaces and chimneys. Co-linear piping cannot be used in combustible fireplace and chimney cavities. The 556CLA may be fitted to the **Top or Rear** outlet of the 650 model heaters. This kit is for **vertical termination only** – not sidewall.

Requires 556CLA Co-Axial to Co-Linear Appliance Adapter (or, alternatively, a generic adapter), two lengths of 3-inch diameter flexible chimney liner, co-linear termination kit and flashing and either high wind vertical vent terminal cap or a low profile vertical termination.

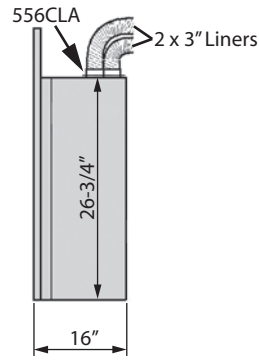
Note : Venting limitations and restrictors are as per those listed for co-axial venting in the heater installation manual.



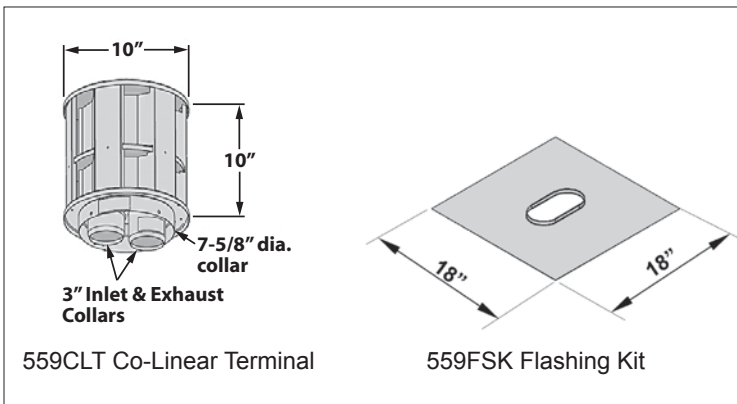
Co-Linear installation into existing F/P



556CLA on Rear Outlet



556CLA on Top Outlet



Alternate to 559CLT/559FSK Conversion

