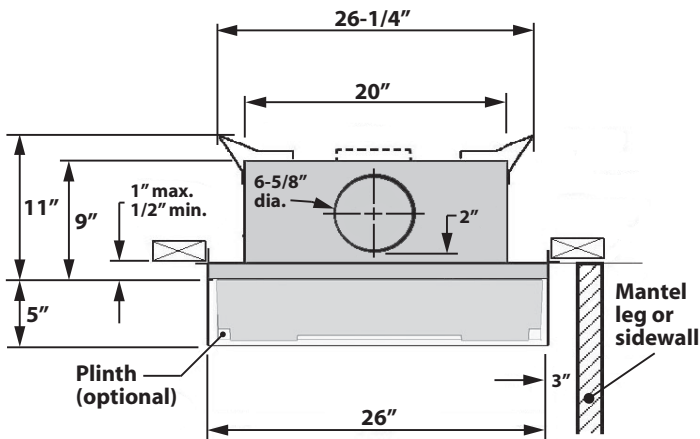


## Dimensions & Clearances



Mantel depth "X"	Min. clearance "Y"
1" – 6"	33"
7" – 8"	34"
9" – 12"	38"
12" +	38" + 1" for every inch beyond 12"

