



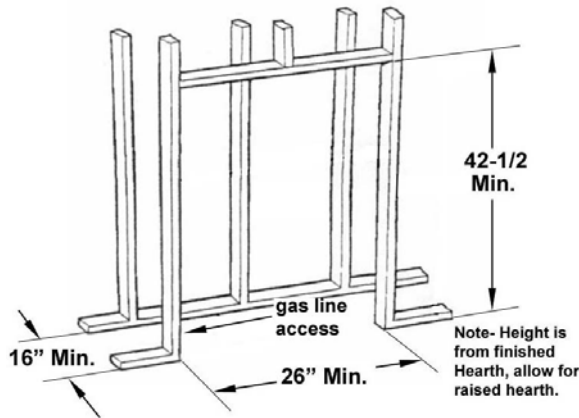
Model 975ZCK

Zero Clearance Kit for Model 922

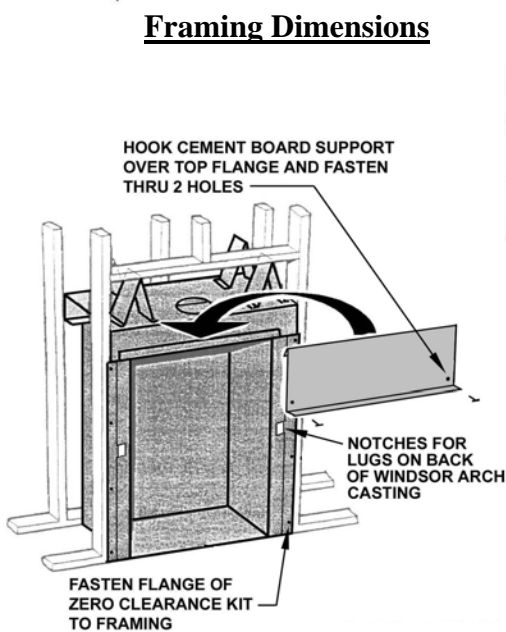
Framing Information

Sept 2003

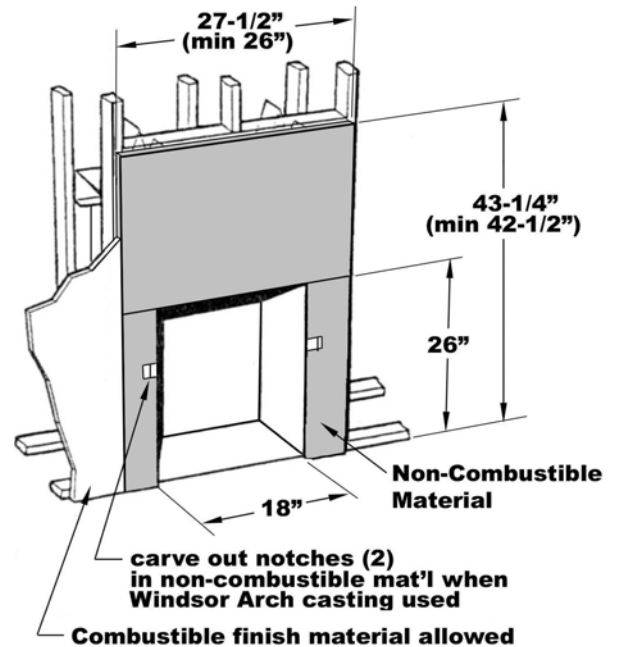
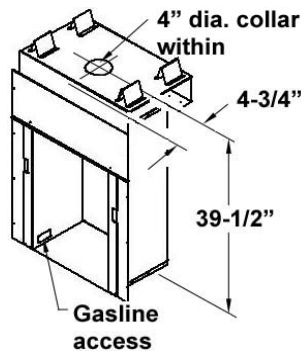
Model 975 Zero Clearance Kit must be used when installing the model 922 fireplace into an enclosure constructed of combustible material and connected to an approved venting system. Either the 923 Adorn or 539/549 Windsor Arch cast iron fronts may be used with the 922 fireplace installed into a 975 zero clearance kit. The 975 may be installed at the framing stage with the walls and hearth totally finished and the fireplace installed at a later date. Refer to the 922 Installation Manual for mantle clearances as they vary with different front castings.



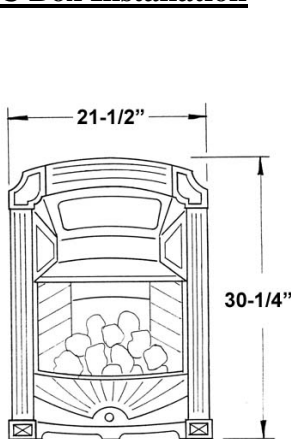
Framing Dimensions



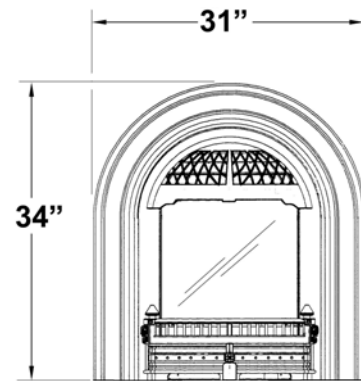
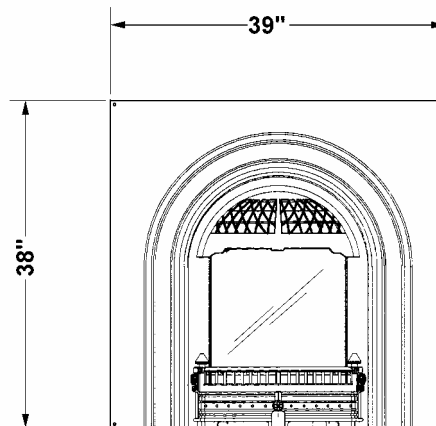
Z.C Box Installation



Wall Finishing



923 Adorn



549 Windsor Arch



829 West 3rd Street, North Vancouver, B.C.,
Canada, V7P 3K7

Ph. (604) 984-3496
Fax. (604) 984-0246