

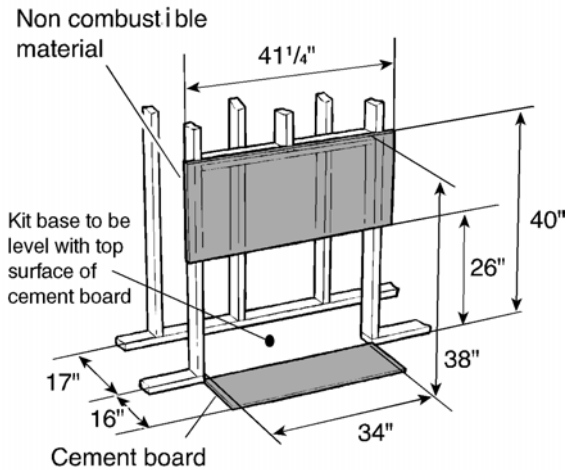


# Model 770ZCK

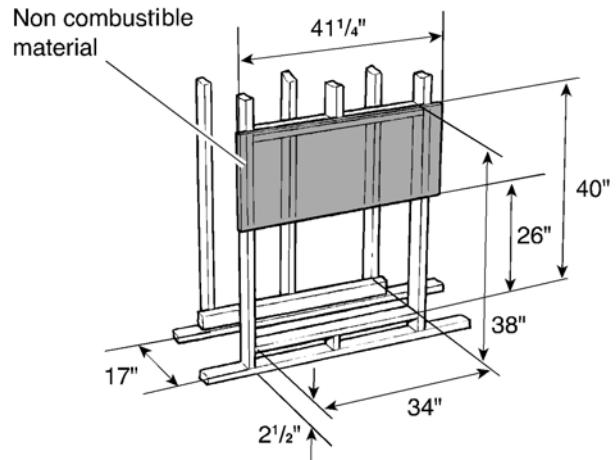
## Zero Clearance Kit for Valor 737 Insert

### Dimensions and Clearances

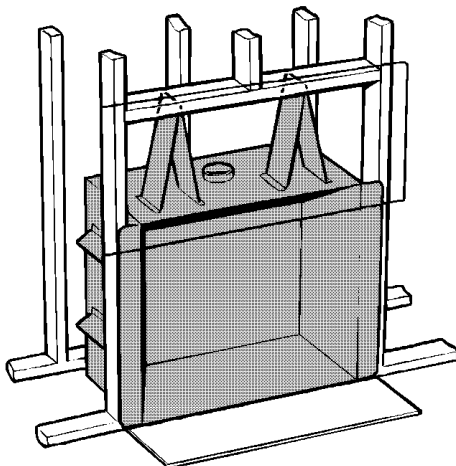
Mar, 00



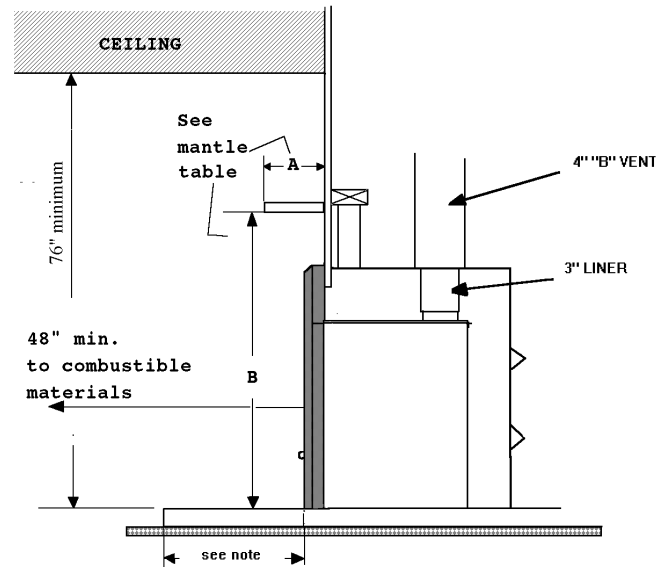
Installations with protected combustible floor



Installations with unprotected combustible floor



ZC Kit installed in framing



Clearances to combustible mantle

MANTLE DEPTH "A".	1"	2"	3"	4"	5"	6"	7"
CLEARANCE FROM BASE OF HEATER "B".	37 7/8"	39 7/8"	40 7/8"	42 7/8"	44 7/8"	46 7/8"	48 7/8"

Further clearance reduction can be achieved with the use of a Model 771CRB Clearance Reduction Baffle