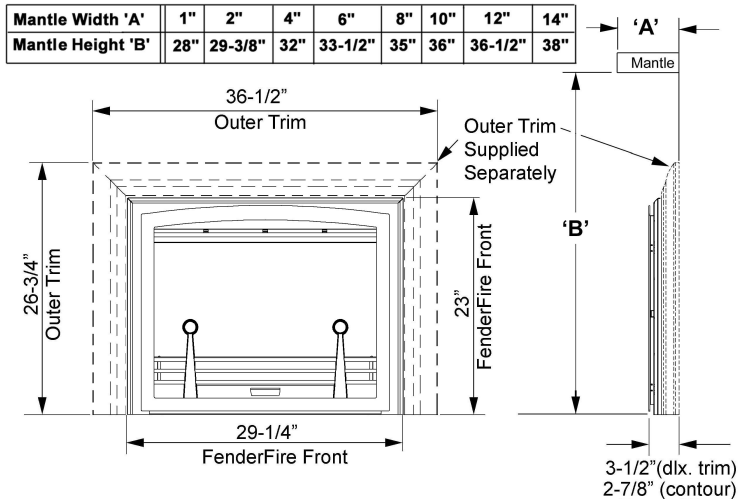




Model 744 FVI Single Door

FenderFire Screened Front for Model 738/739 Heaters

April, 2004



General

The 744 Fenderfire screened front is **designed to be used with an outer surround trim (supplied separately)** and fit within the outer surround trim clipping onto the mounting brackets supplied with Valor model 738/739 heaters. The FenderFire front is compatible with all outer surround trims, plates, risers, and zero clearance kit available for use with model 738 or 739 heaters. For double door version of the FenderFire front refer to # 743 FVI FenderFire literature

