



Model 738

Legend G3

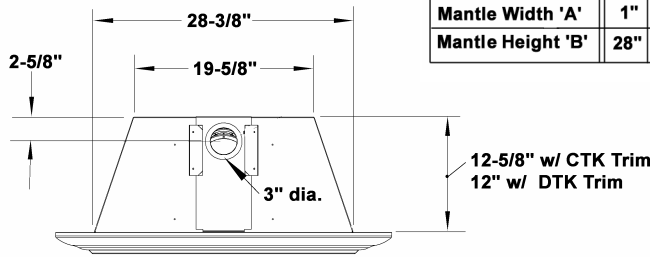
B-Vent Fireplace Insert

Nov. 2002

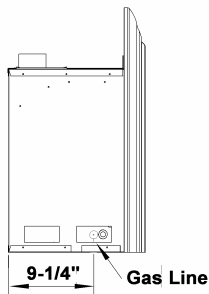
Note : This appliance is for installation into a solid fuel burning fireplace with a working flue constructed of non-combustible material. For installation into combustible type framing an optional 770 ZCK zero Clearance Kit is required.

Model	Fuel	Vent Type	Max. Input	Min. Input	Max. Output
738 BVN	NG	B-vent	24,000 Btu	6,500 Btu	16,800 Btu
738 BVP	LPG	B-vent	24,000 Btu	13,000 Btu	16,800 Btu

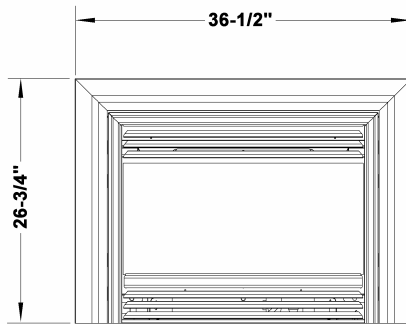
Mantle Width 'A'	1"	2"	4"	6"	8"	10"	12"	14"
Mantle Height 'B'	28"	29-3/8"	32"	33-1/2"	35"	36"	36-1/2"	38"



Top View

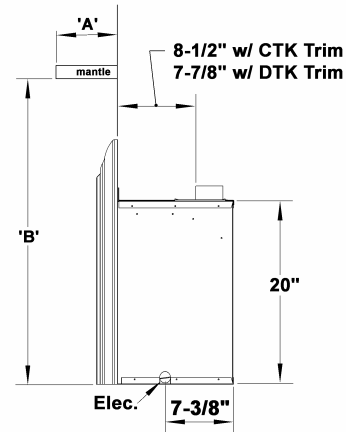


Left Side



(Shown with steel front and standard 3-sided size trim. Other options are available)

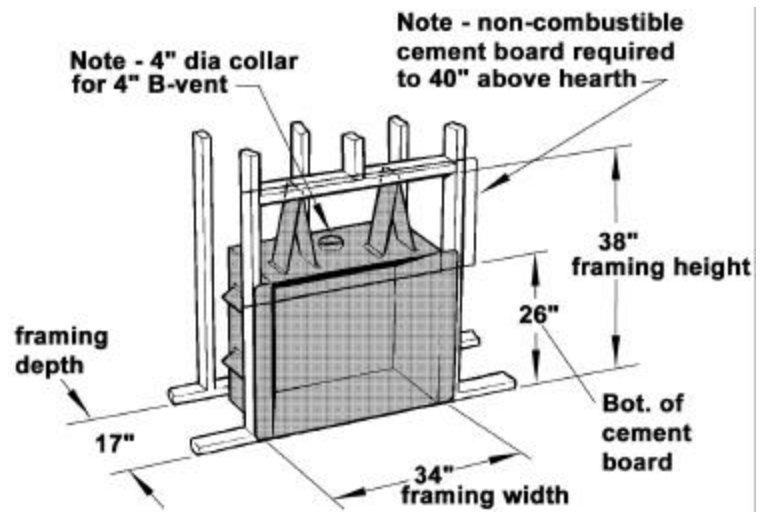
Front View



Right Side

Notes :

- For Direct Vent version refer to model 739 spec sheet.
- Thermostatic Remote Control is standard.
- Model 738 is approved for combustible flooring directly up to or underneath the unit.
- Accessories :
 - 555CFK Circulating Fan Kit
 - 741SFB Steel Fascia Black
 - 742CFB Cast Iron Fascia Black
 - 746CTK Contour Trim Kit (3-sided)
 - 747DTK Deluxe Trim Kit (3-sided)
 - 748CTK Contour Trim Kit (4-sided)
 - 749DTK Deluxe Trim Kit (4-sided)
 - 750OCP Oversize Closure Plate
 - 751LTK Lift Trim Kit (requires 752BTK also)
 - 752BTK Base Trim Kit (1-3/8" riser)
 - 770ZCK Zero Clearance Kit



770 ZCK Zero Clearance Kit



Phone 1 – 800 – GO – VALOR
www.valorflame.com