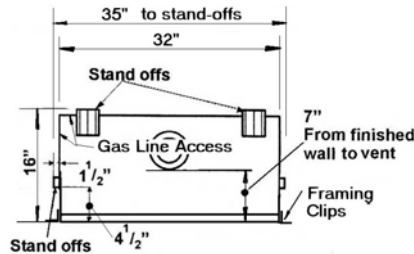


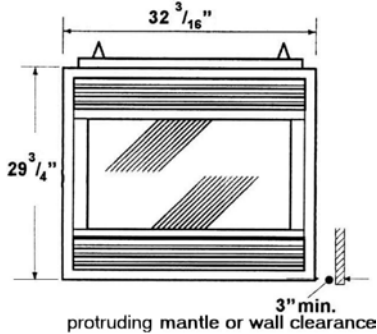


Model 535 Zero Clearance Top Outlet Direct Vent

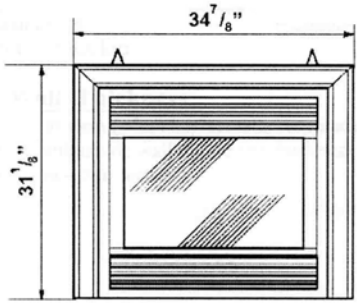
Aug 2000



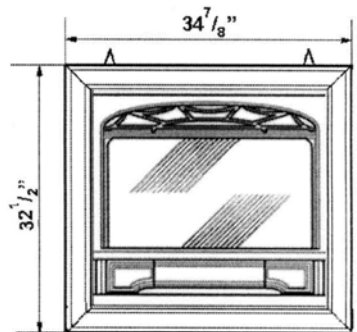
Top View



Standard Front

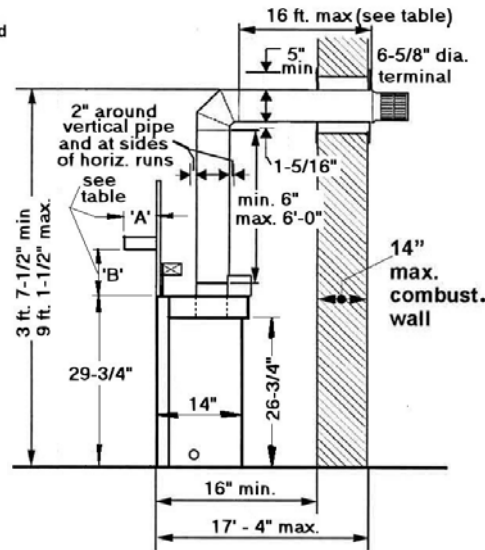


**Standard Front w/
Optional 3-Sided Trim**

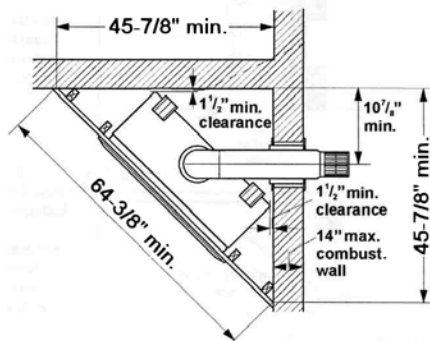


**Cast Iron Front w/
Optional 4-Sided Trim**

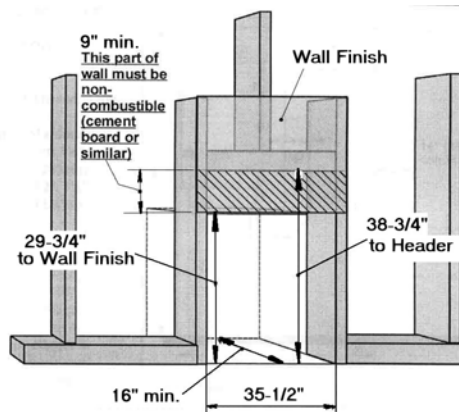
| | | | | | | | |
|----------------------|----|----|----|-------|-----|-----|----------------|
| Mantle depth "A" | 1" | 2" | 3" | 4"-5" | 6" | 7" | 8"-12" max. |
| Mantle clearance "B" | 7" | 8" | 9" | 10" | 11" | 12" | 14" |



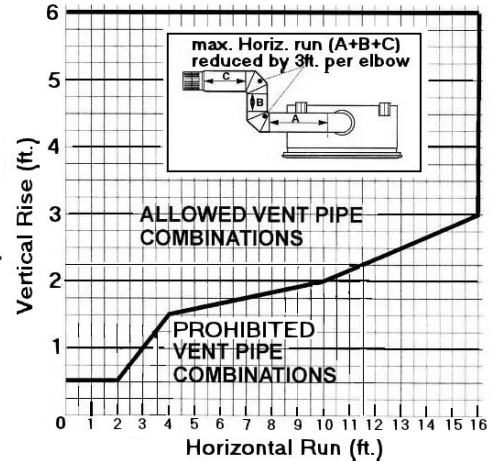
Thru Wall



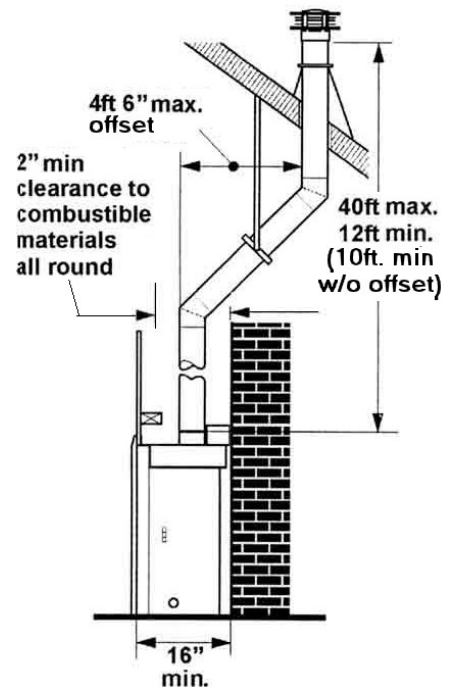
Corner Dimensions



Framing Dimensions



**Allowable Vent
Configurations
(Thru Wall)**



Thru Roof



www.valorflame.com
email: tech@valorflame.com