



**Valor Model 534X/535X  
Gas Fireplace Heater**



**Repair Parts List**



Manufactured by  
**MILES INDUSTRIES LTD.**  
British Columbia, Canada

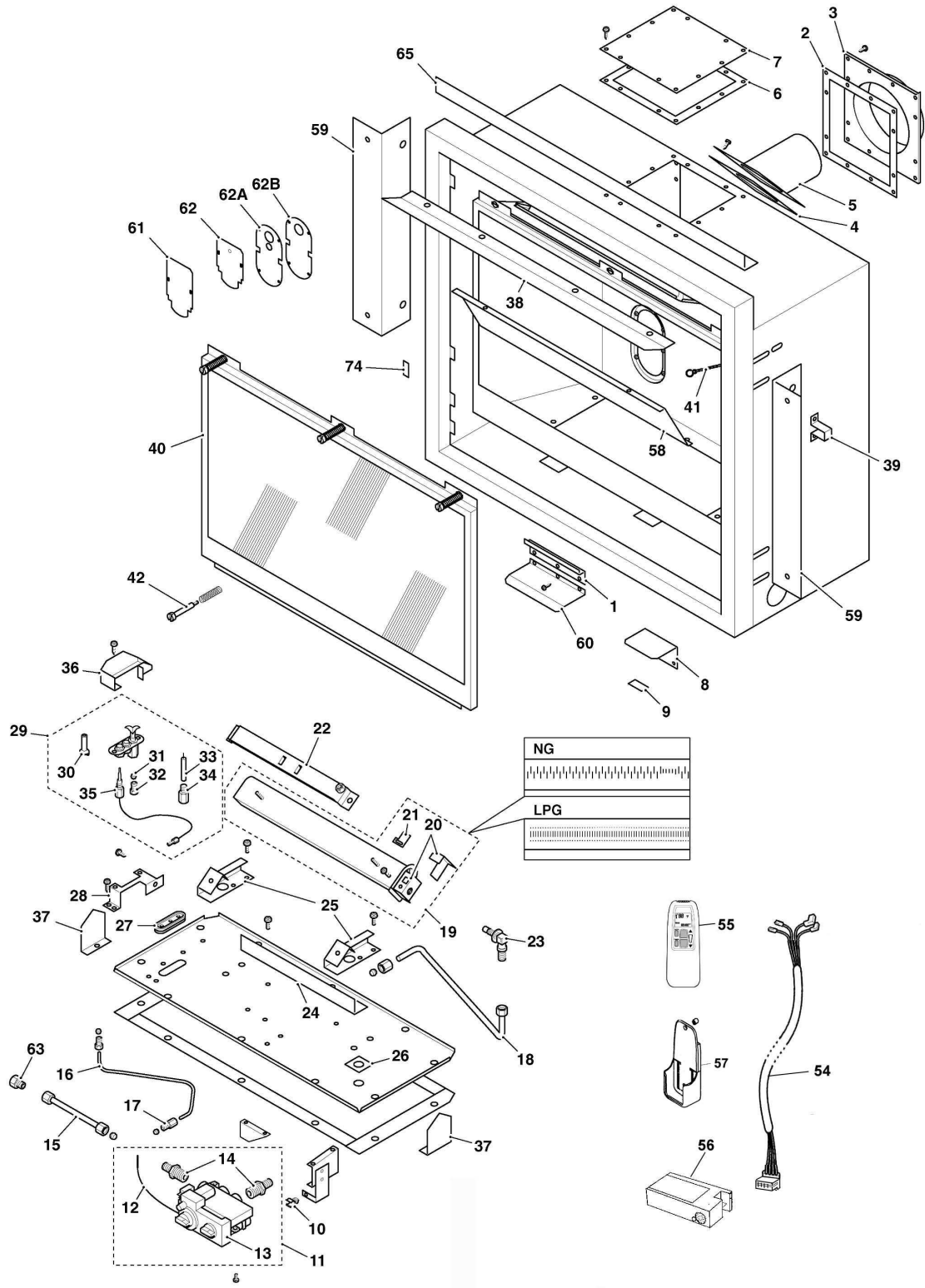
Because our policy is one of constant development and improvement, details may vary slightly from those given in this publication.

KEY #	PART NAME	QTY	PART #
1	Rear wall support	1	568379
2	Seal – Outer vent collar	1	568399
3	Outer vent collar	1	568409
4	Seal – Inner vent collar	1	568419
5	Inner vent collar	1	568429
6	Seal – Vent cover plate	1	568399
7	Vent cover plate	1	568449
11	Valve unit <i>For 534, 535 models Nat Gas or LPG, includes key items 12,13,14,</i>	1	4000 251
12	Pilot ignition wire	1	573729
13	Valve cover	1	
14	Pipe connector	2	573869
15	Inlet pipe	1	573879
16	Pilot pipe	1	568529
17	Snap-off nut & olive – Pilot pipe	1	546679
18	Main burner pipe	1	573889
19	Burner unit <i>For Model 535 Nat. Gas</i> <i>For Model 535 LPG</i> <i>For Model 534 Nat. gas</i> <i>For Model 534 LPG</i>	1	573899 574269 574299 574379
20	Aeration restrictor bracket <i>For Model 535 Nat. Gas</i> <i>For Model 535 LPG</i> <i>For Model 534 Nat. Gas</i> <i>For Model 534 LPG</i>	1	300 056 3000 056 3000 268 3000 056
21	Aeration shutter plate <i>For Natural Gas Models</i> <i>LPG models</i>	1	3000 220 3000 371
22	Front log support bracket	1	568569
23	Elbow Injector <i>For Model 535 Nat. gas</i> <i>For Model 535 LPG</i> <i>For Model 534 Nat. Gas</i> <i>For Model 534 LPG</i>	1	573929 574289 574319 574399
24	Flame stability baffle	1	573939
25	Base log support <i>For Models 535</i> <i>For Models 534</i>	2	573949 568589
26	Pipe seal – Self adhesive	1	573959
27	Pilot seal	1	573969
28	Pilot support bracket	1	568609
29	Pilot unit complete <i>For Nat. Gas models</i> <i>For LPG Models</i>	1	4000 062 4000 063
30	Pilot injector <i>For Nat. Gas models</i> <i>For LPG Models</i>	1	568629 568889
31	Hooked olive for pilot injector	1	524959
32	Olive nut for pilot pipe	1	513869
33	Electrode	1	568639
34	Electrode retaining nut	1	524989
35	Thermocouple	1	4000 061
36	Pilot shield	1	572339

KEY #	PART NAME	QTY	PART #
37	Front log support	2	573979
38	Top heat baffle	1	573989
39	Side stand-off bracket	2	573999
40	Window unit	1	574009
41	Window retaining chain	1	574019
42	Spring loaded bolt	3	568659
43	Ceramic logs – Complete set	1	4000 097
44	Ember Base	1	4000 216
45	Right Middle Log	1	4000 220
46	Front log	1	4000 218
47	Rear log	1	4000 217
48	Left Middle Log	1	4000 219
49	Center Top log	1	4000 221
50	Ceramic walls – Complete set	1	4000 257
51	Rear wall	1	4000 496
52	Right side wall	1	4000 495
53	Left side wall	1	4000 494
54	Wire Harness for Remote Receiver	1	4000 329
55	Hand Held Thermostat Remote	1	4000 327
56	Remote Receiver	1	4000 328
57	Wall Mount Cradle for Handset	1	9000 008
58	Port cover	1	4000 290
59	Frame side fixing bracket	2	574179
60	Ash bed rear support	1	574189
61	Restrictor plate for horizontal vent termination (Type “A”) <i>For all models 534 &amp; 535</i>	2	574199
62	Restrictor plate for through–the–roof termination <i>For model 535 only</i>	2	568799
62A	Restrictor plate for through-the-roof termination up to 20ft (Type “B”) <i>For Model 534 only</i>	2	574329
62B	Restrictor plate for through-the-roof termination 20ft-40ft (Type “C”) <i>For Model 534 only</i>	2	574339
63	Inlet pipe connection adapter	1	568859
64	Top heat shield panel	1	574229
64A	Blanking plate for top heat shield panel <i>For Models 534 only</i>	1	574359
65	Frame top support angle	1	574239
66	Stand-off bracket	2	574249
67	Upper louver <i>For standard fascia #601SFB</i>	1	574409
68	Lower louver <i>For standard fascia #601SFB</i>	1	574419
69	Name badge <i>For standard</i>	1	509939

Manufactured by Miles Industries Ltd, British Columbia, Canada

KEY #	PART NAME	QTY	PART #
	<i>fascia #601SFB</i>		
70	Push-on grip washer <i>For standard fascia #601SFB</i>	2	534419
71	Finger grip <i>For standard fascia #601SFB</i>	1	561959
72	Left side channel <i>For standard fascia #601SFB</i>	1	574429
73	Right side channel <i>For standard fascia #601SFB</i>	1	574439
74	Magnet counterplate <i>For standard fascia #601SFB</i>	2	574449
75	Hinge spacer <i>For standard fascia #601SFB</i>	2	574459
76	Hinge stud <i>For standard fascia #601SFB</i>	2	574469
77	Bottom casting unit <i>For cast iron fascia #602CFB</i>	1	574479
78	Bottom right side hanging bracket <i>For cast iron fascia #602CFB</i>	1	574489
79	Bottom left side hanging bracket <i>For cast iron fascia #602CFB</i>	1	574499
80	Door hinge bolt <i>For cast iron fascia #602CFB</i>	1	574509
81	Washer – Hinge bolt <i>For cast iron fascia #602CFB</i>	1	532529
82	Top casting unit <i>For cast iron fascia #602CFB</i>	1	574519
83	Top left side hanging bracket <i>For cast iron fascia #602CFB</i>	1	574529
84	Top right side hanging bracket <i>For cast iron fascia #602CFB</i>	1	574539
85	Top/bottom trim Black <i>For outer trim #603FSK &amp; 605FSK</i>	1 or 2	574549
86	Left side trim Black <i>For outer trim #603FSK</i>	1	574559
87	Right side trim Black <i>For outer trim #603FSK</i>	1	574569
88	Trim fixing bracket <i>For outer trims #603FSK, , #605FSK,</i>	2	574579
89	Corner connection plate <i>For outer trims #603FSK, , #605FSK,</i>	2 or 4	574589
90	Side trim Black <i>For outer trim #605FSK</i>	2	574629
92	Vent pipe & terminal <i>For Terminal kit #551DVK</i>	1	569349
93	Wall plate <i>For Terminal kit #551DVK</i>	2	569359
94	Wall shield (Flat) <i>For Terminal kit #551DVK</i>	2	569369



Manufactured by Miles Industries Ltd, British Columbia, Canada

