



3002783/01
Date: June 2002.

© Valor Heating

Safety Upgrade Instructions

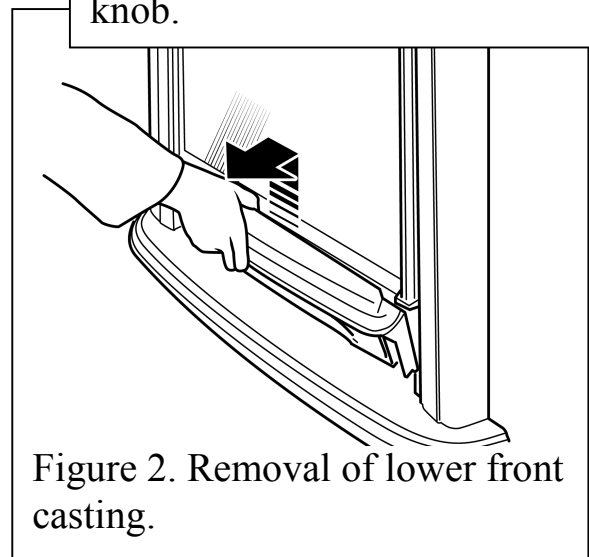
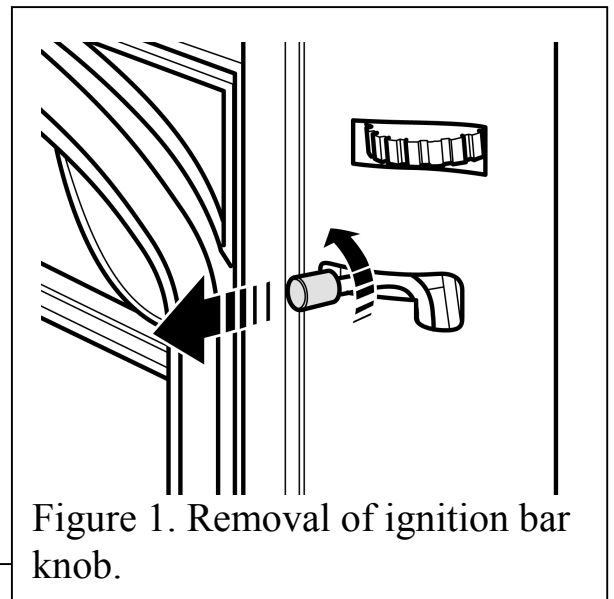
These instructions are for the
Valor Legend Ultra
(Model 837 AN and 837 AP)

Important: Switch the appliance off, isolate the gas supply to the appliance and ensure that the appliance is completely cool before continuing any further.

1. Removal of Fascia

Cast Iron Fascia

1. Unscrew and remove the ignition bar knob (See figure 1).
2. Remove the lower front casting by lifting and pulling forward (See figure 2).
3. Remove two screws located behind the upper decorative casting (See figure 3).
4. Remove the Fascia by gentle pulling the top of the fascia forward. Two retaining clips hold the top of the fascia. Once clear of these the fascia can be lifted clear of the lower bottom fascia brackets (See figure 4)



Safety Upgrade Instructions

Standard fascia – three or four sided.

1. Unscrew and remove the ignition bar knob (See figure 1).
2. Remove the Fascia by gentle pulling the top of the fascia forward. Two retaining clips hold the top of the fascia. Once clear of these the fascia can be lifted clear of the lower bottom fascia brackets (See figure 4).

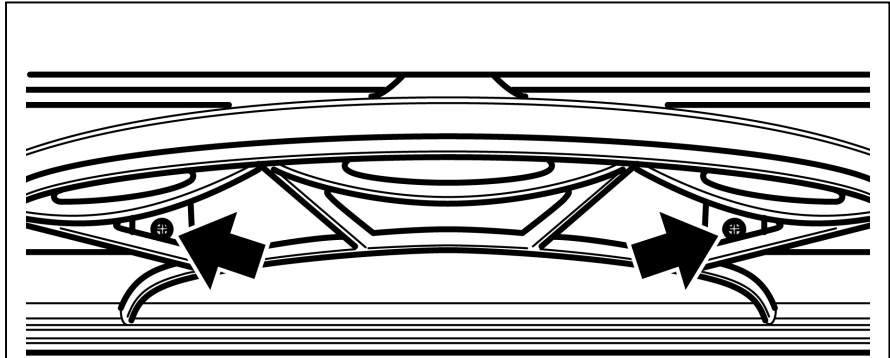


Figure 3. Removal of Screws on cast Iron fascia.

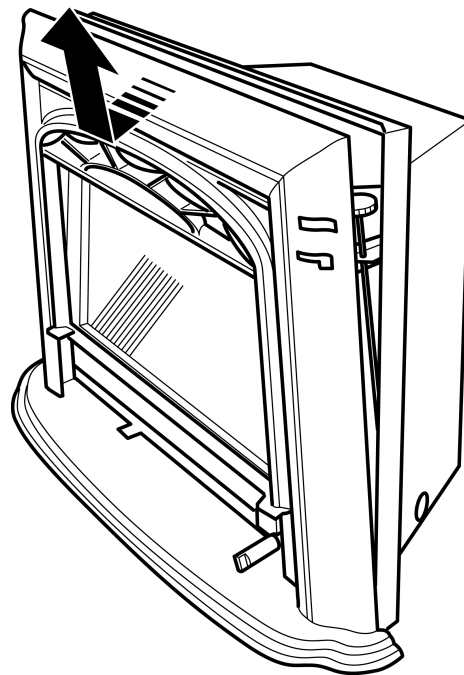


Figure 4. Fascia Removal on Cast Iron and Standard fascia.

Safety Upgrade Instructions

2. Removal of bushing from ignition bar

For models fitted with a locating bracket (See figure 5)

1. Remove the self-tapping screw from the ignition bar locating bracket (See figure 5).
2. Place a suitable flat instrument on the underside of the bushing and lift the bushing clear of the mounting bracket (see figure 6).
3. Pull the ignition bar forward and clear of the mounting bracket.
4. Remove bushing from ignition bar by sliding up around bend and off bar. If bushing is too tight to slide off, cut off bushing with a utility knife.
5. With the bushing removed, push the ignition bar back into the mounting bracket.
6. Replace the locating bracket and secure using the self-tapping screw removed previously.

*For models **NOT** fitted with a locating bracket (See figure 5)*

7. Place a suitable flat instrument on the underside of the bushing and lift the bushing clear of the mounting bracket (see figure 6).
8. Pull the ignition bar forward and clear of the mounting bracket.
9. Remove bushing from ignition bar by sliding up around bend and off bar. If bushing is too tight to slide off, cut off bushing with a utility knife.
10. With the bushing removed, push the ignition bar back into the mounting bracket.
11. Position the locating bracket with its sides in line with those of the mounting bracket (See figure 7). Mark the position of the hole.
12. Remove the bracket and drill a 3.5mm (1/8 in) hole
13. **Reposition the location bracket and secure using a self-tapping screw.**

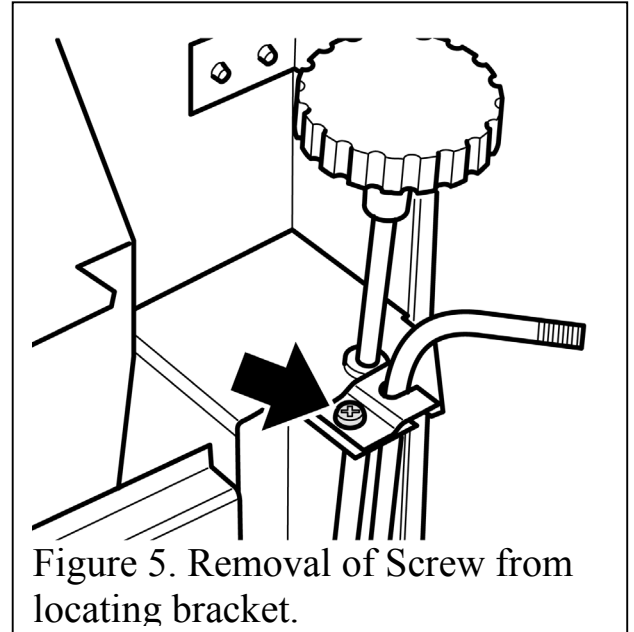


Figure 5. Removal of Screw from locating bracket.

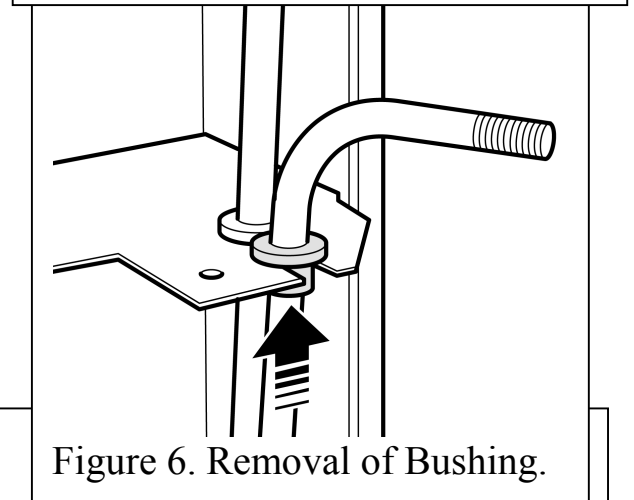


Figure 6. Removal of Bushing.

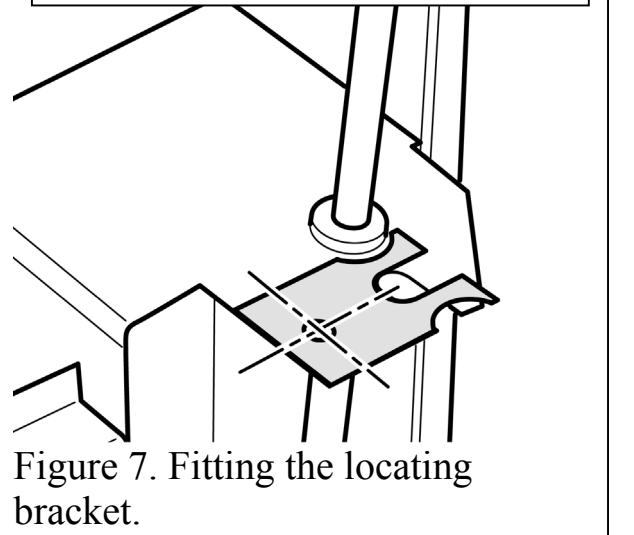


Figure 7. Fitting the locating bracket.

Safety Upgrade Instructions

3. Replacing the Gas Valve

Refer to figure 8.

1. Loosen the screw attaching the ignition bar to the top of the gas valve.
2. Lift the ignition bar clear of the gas valve spindle.
3. Supporting the elbow with a wrench, unscrew the nut to the inlet elbow on the gas valve.
4. Unscrew the pilot line nut from the gas valve. Pull the pilot line clear of the valve.
5. Unscrew and remove the thermocouple nut connecting the thermocouple to the interrupter block at the base of the gas valve.
6. Remove the microswitch leads from the interrupter block. **Do not pull on the leads.** Grip the terminals close to the interrupter block and gently pull the leads clear of the interrupter block. This will avoid damage to the leads.
7. Unscrew and remove the interrupter block.
8. Supporting the connector with a wrench, unscrew the pipe nut below the thermostat valve.
9. Unscrew and remove the brass nut at the top of the gas valve.
10. The gas valve can now be removed.
11. Supporting the elbow, unscrew and remove the nut holding the thermostat pipe to the elbow.
12. Place the old valve away from the work area.
13. Obtain the replacement gas valve and fit to the appliance in reverse to above.

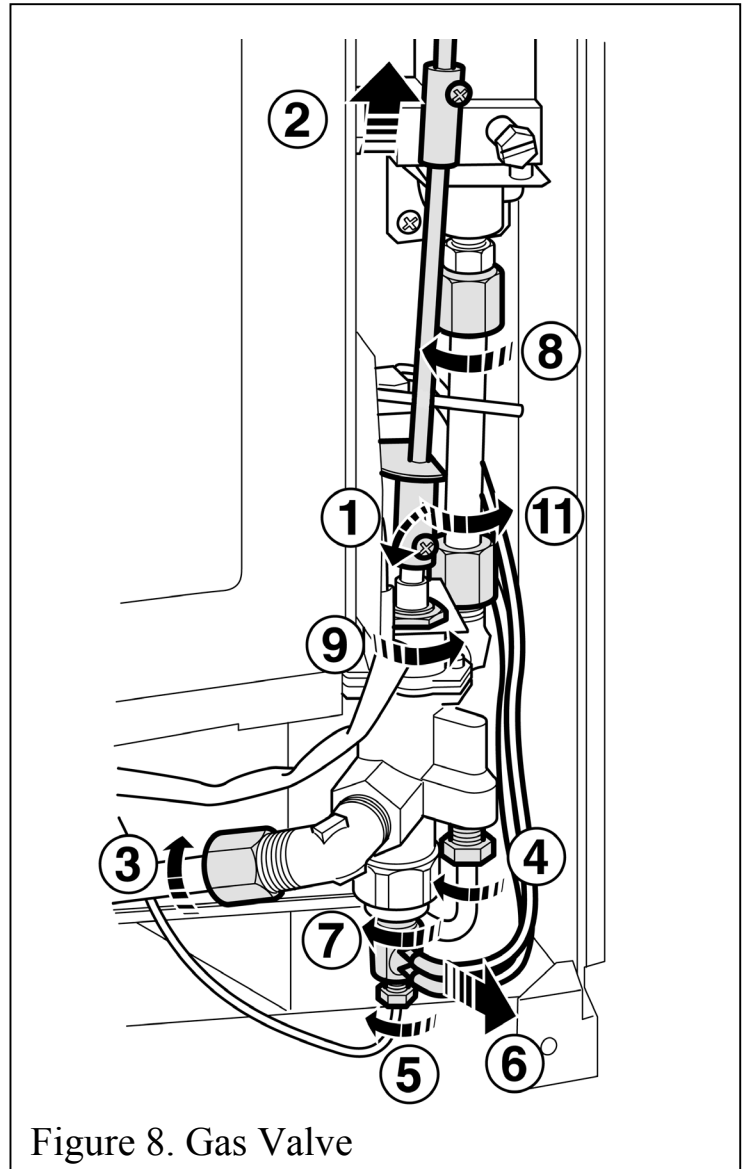


Figure 8. Gas Valve

When fitting the new valve it may be easier if the screws at the top of the regulator support bracket are loosened. These screws must be tightened after fitting the new gas valve.

Safety Upgrade Instructions

Important Note:

When connecting the ignition bar to the top of the gas valve it is important that the arm of the microswitch is behind the ignition arm (See figure 9).

Ensure that when the ignition bar is depressed the microswitch arm does not pass over the top of the ignition arm. If it does, or appears likely to during future use, then the angle of the ignition arm must be adjusted. Only make the adjustment if absolutely necessary. Do not overbend the ignition arm.

The screw at the base of the ignition bar must be against the 'D' flat on the gas valve spindle.

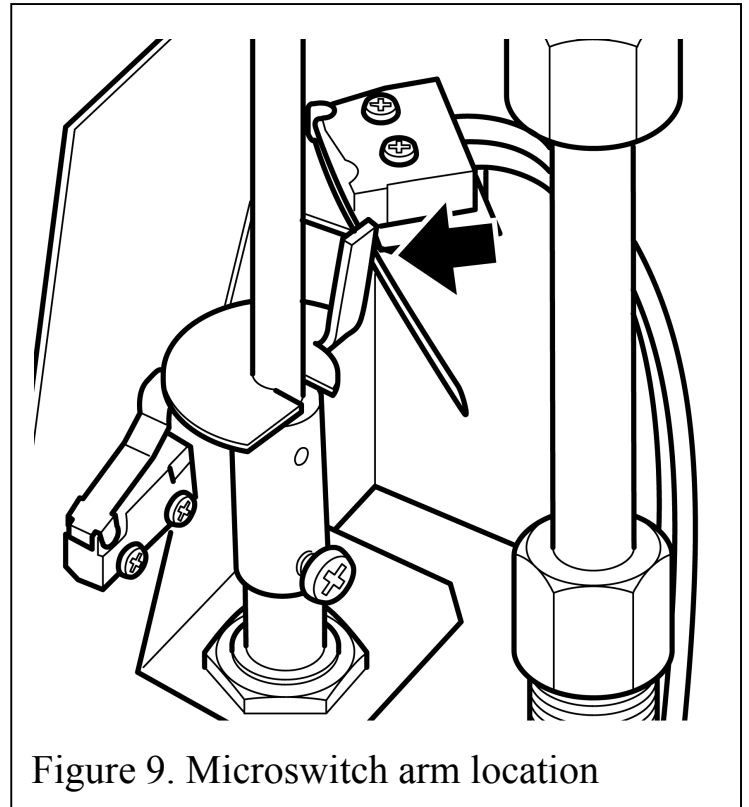


Figure 9. Microswitch arm location

4. Replacing the electronic spark generator battery

Refer to figure 10.

1. Remove the battery from the electronic spark generator. To do this simply grip the battery at the left hand side, lift and pull to the left.
2. Remove the old battery from the work area.
3. Obtain a new battery and fit this into the electronic spark generator. To do this hold the battery so that the positive terminal is towards the rear of the appliance. Slide the battery in from the left side. When the battery stops sliding push it down so that it locates against the left-hand retainer.

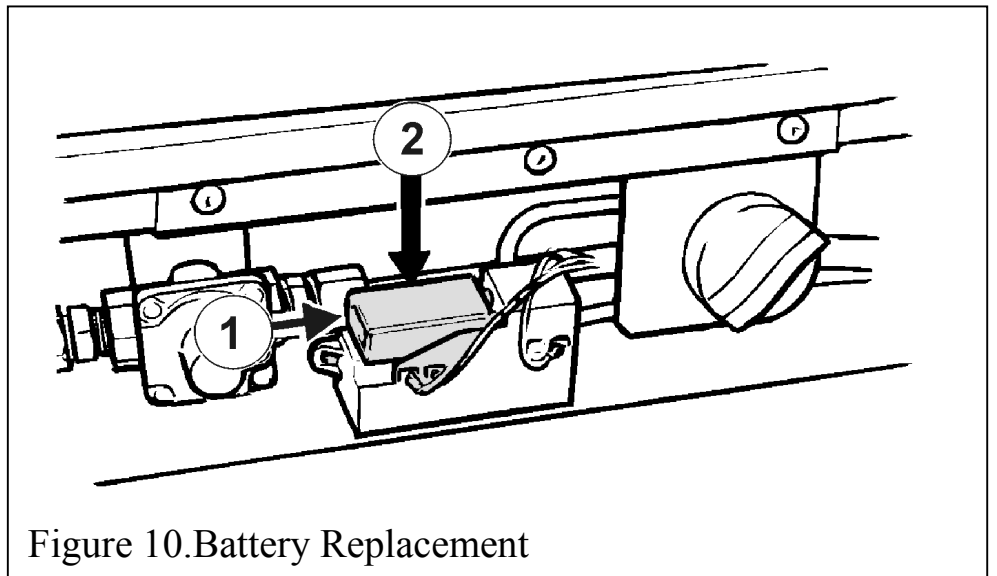


Figure 10. Battery Replacement

Safety Upgrade Instructions

5. Relief Panel operation

The relief panels on the underside of the firebox should be held in place by their spring retainers, but should be capable of opening when the pressure within the firebox becomes too great.

- To check the operation of the relief panels push them down from inside the firebox. They can be accessed behind the lower ceramic support by first removing the two cross logs and front log. (See figure 11). Push down by 40-50mm and ensure that they open easily and freely. There should be no restriction.
- If there is any restriction or metallic scrapping sound then the relief panels may be coming into contact with the stop plates. These are located on the underside of the firebox behind the relief panels and are to ensure that the springs are not over bent during operation. If the relief plate is coming into contact with the stop plate then push the bottom of the stop plate towards the rear of the appliance by about 1/8th inch. Try the operation of the relief plate and ensure that it closes against the base of the firebox. **It is Important that the relief doors operate easily and freely before leaving the appliance.**

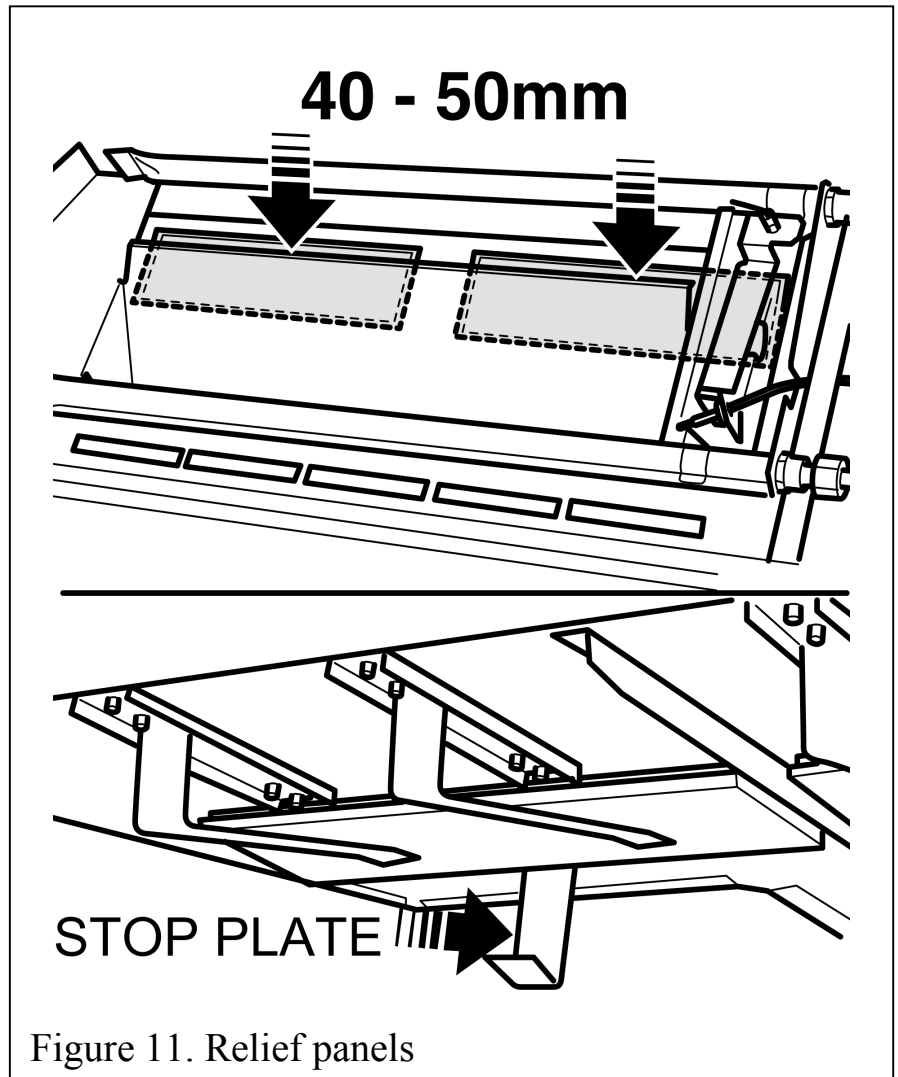


Figure 11. Relief panels

Safety Upgrade Instructions

6. Adjusting the height of the ignition bar

When refitting the Fascia it is important that the height of the ignition bar is adjusted to ensure smooth operation.

The height of the ignition bar can be adjusted to suit the slot in the fire front. The adjustment must be made before the window is refitted as follows:

1. Locate slots in the fascia over the claws at the sides of the main appliance (figure. 12).

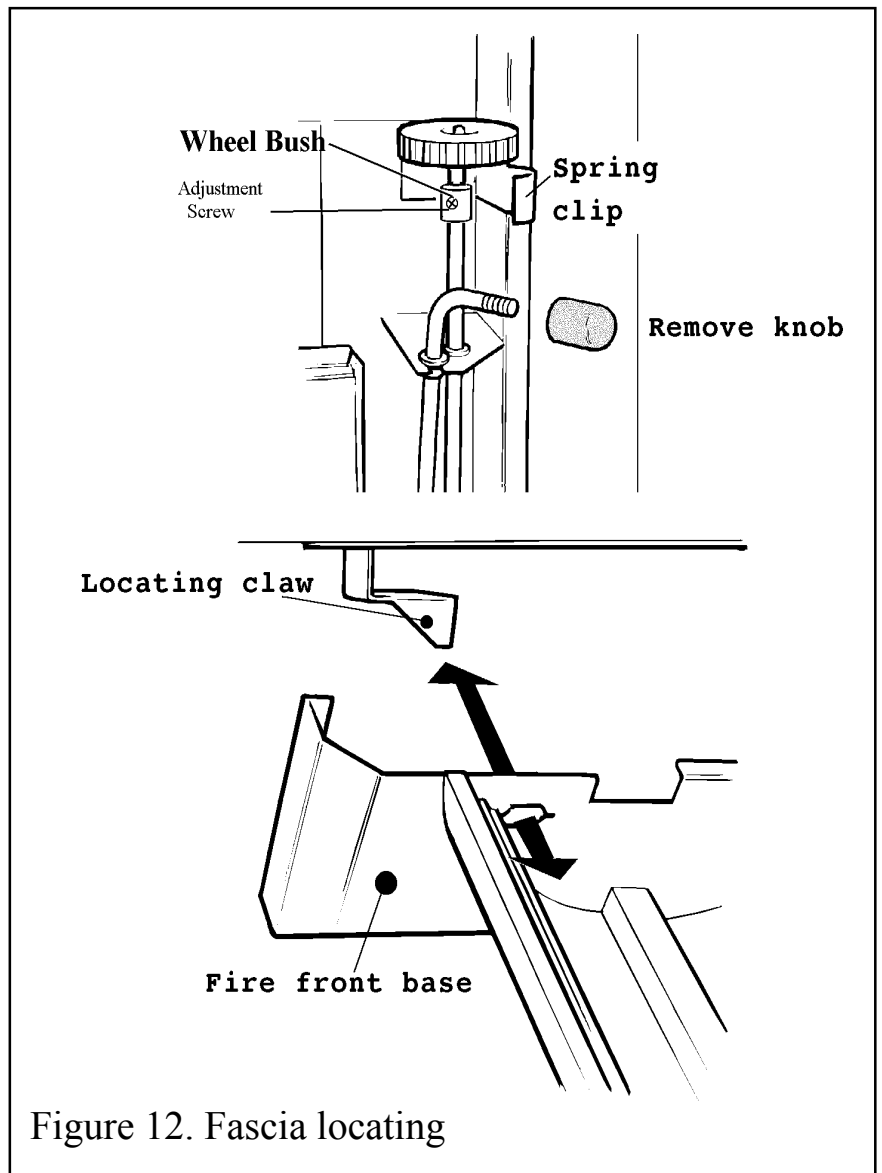
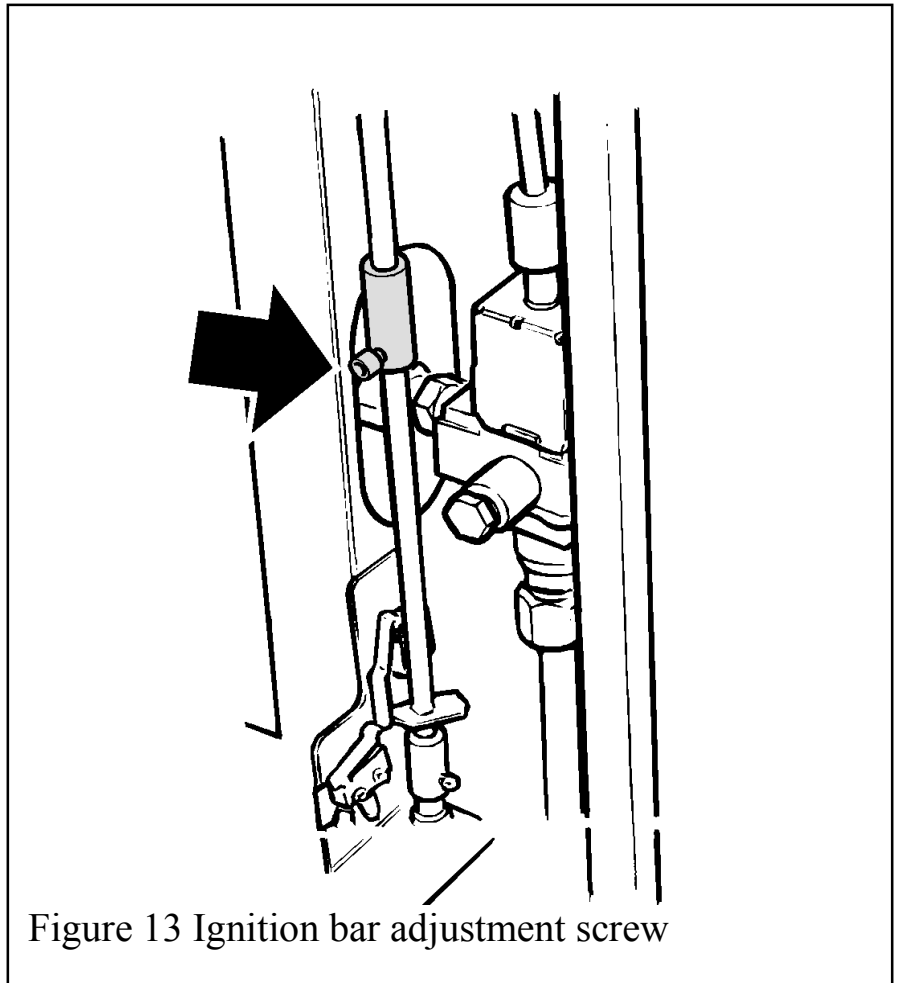


Figure 12. Fascia locating

2. Angle the fascia up and turn the ignition bar to test if it will project through the slot in the fascia.

Safety Upgrade Instructions

3. If the ignition bar does not locate satisfactorily through the fascia, loosen the screw securing the ignition bar sleeve (figure. 13).
4. Adjust the height of the ignition bar so that it can rotate freely through the slot. Retighten the sleeve screw.
5. The thermostat wheel height can be adjusted by simply sliding it up or down the spindle and the tightening the bushing below so that it is flush against the wheel (figure 13)
6. Remove the fascia.



Safety Upgrade Instructions

7. Final Review

Replace the ceramic fuel effect bed as below

1. Place the lower rear log in the support cradles at the back of the firebox (See figure 14).

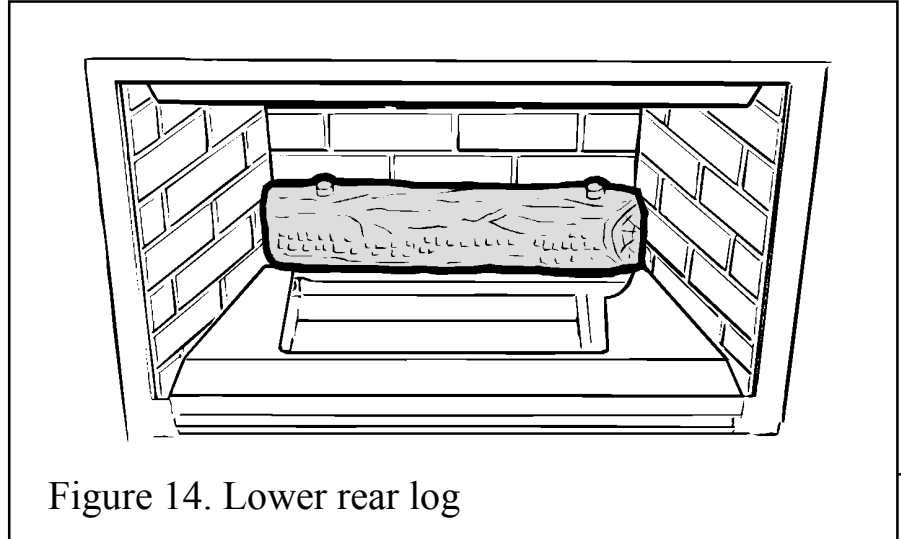


Figure 14. Lower rear log

2. Place the upper rear log on top of the lower rear log. The pegs in the lower log locate in the holes in the upper log (figure 15).

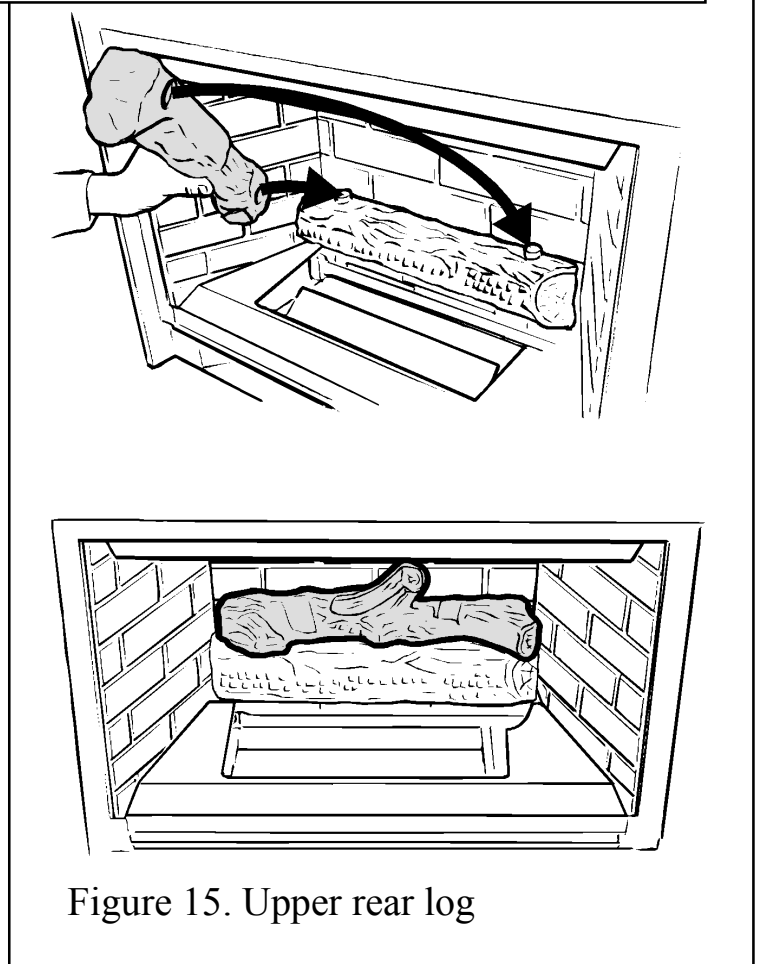


Figure 15. Upper rear log

Safety Upgrade Instructions

3. Place the front log in the opening of the firebox base cover. Slide the log forward as far as it will go (See figure 16).

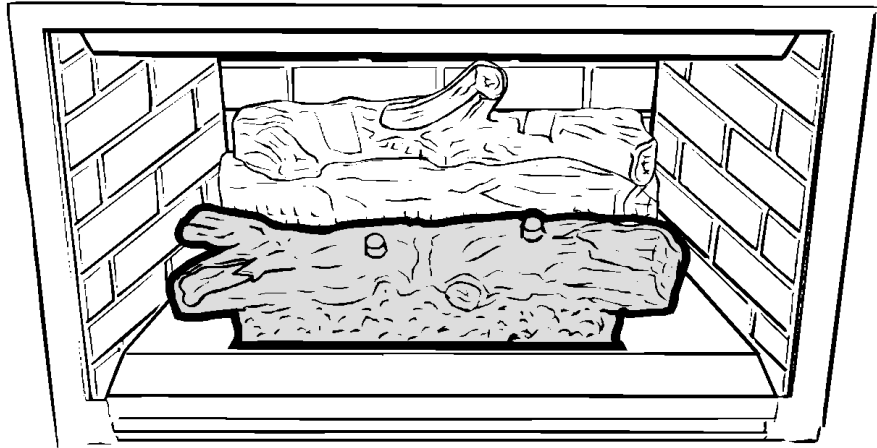


Figure 16. Front log

4. Place the left cross log (stamped "L" underneath) over the front and rear logs. Locate the cross log over the peg in the front log and into the channel in the rear log (See figure 17).

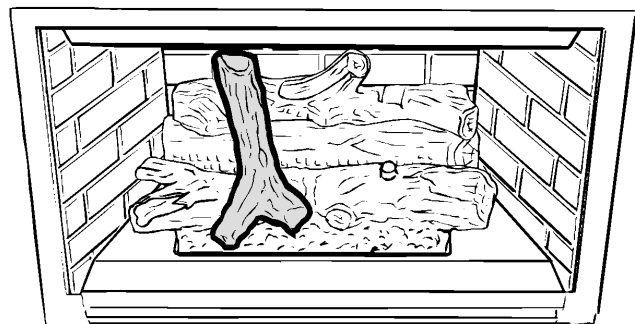
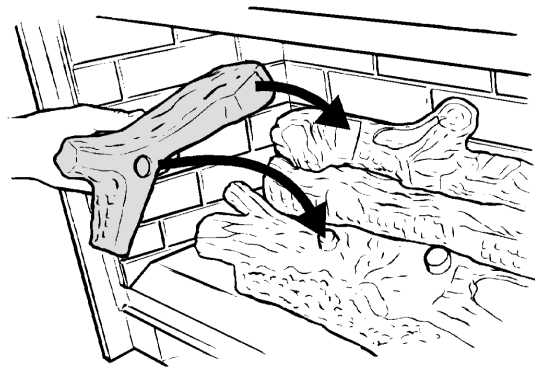


Figure 17. Left cross log

Safety Upgrade Instructions

5. Place the right front log (stamped “R” underneath) over the other logs. Locate it over the peg in the front log and into the channel in the rear log (See figure 18).

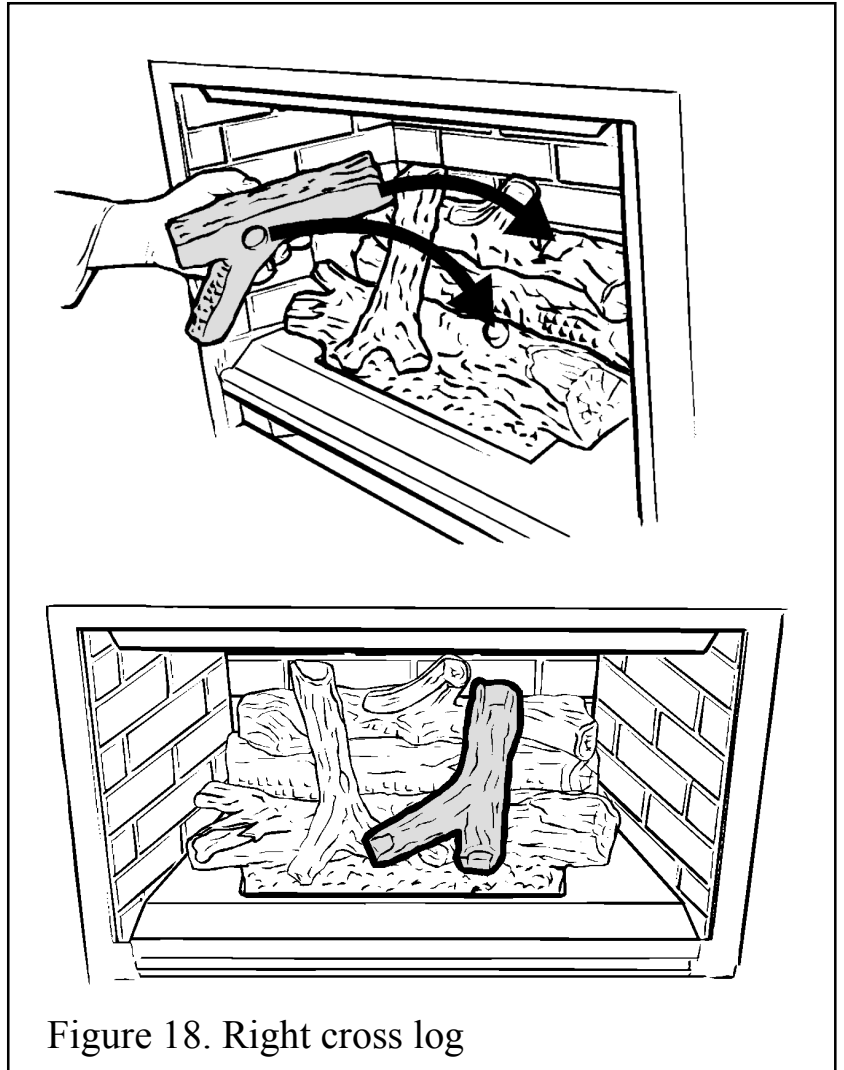


Figure 18. Right cross log

- Without replacing the glass window, fit the fascia. Check for smooth operation of the ignitor lever. If the ignitor lever contacts the fascia at its lowest depressed position, adjustment is required. Insert a screwdriver between the firebox and fascia (through the void space where the glass window would be) and loosen the set screw halfway up on the ignitor bar. Adjust the ignitor lever up to almost the top of the opening in the fascia and tighten set screw. Re-check operation of ignitor lever to ensure no contact with fascia in the upper released or lower depressed position. Remove fascia again.
- With the glass window still removed, re-connect the gas supply to the heater and carry out a leak test on all of the gas connections up to the control valve. Next light the fireplace and leak test between the control valve and the burners. Shut off the fireplace.
- Replace the glass window as in the Installation and Owner’s manual. Ensure window is completely down in lower support track and all three upper buckles secured.
- Fit the Fascia and ignition bar knob.
- Conduct full operational checks as in the Installation and Owner’s manual.

Safety Upgrade Instructions

Advise the customer that: -

1. The battery should be replaced each season.
2. If for any reason the fascia has been removed the smooth operation of the ignition lever must be checked. If it is not smooth then the appliance must not be used until rectified by a qualified person.