



1700I L2 Linear Series Fireplace shown with Long Beach Driftwood, Fluted Black Liner and 5-1/4" Surround in Black

THE L2 LINEAR - A new addition to the Valor Linear Series, the L2 is our widest contemporary fireplace at 50" (10" wider than the existing 1500I L1 Linear).

Quality surrounds in Bronze, Black, Brushed Nickel and GRC Sandstone finishes frame spectacular flames and radiant warmth from within. Firebed options for the L2 include the Long Beach Driftwood and Murano Glass kits.

Valor Comfort Control - Select, adjust and program your desired temperature settings using the ValorStat Plus remote and Wall Switch Kit (both standard with purchase).

No Power, No Problem - Engineered to circulate air through natural convection, the L2 is highly efficient without a fan - providing reliable heat, even during a power failure.

valor
THE ORIGINAL
RADIANT GAS FIREPLACE™
www.valorfireplaces.com

Valor L2 LINEAR SERIES™

L2 FIREPLACE COMPONENTS

ENGINES	1700IN	L2 Linear Series Engine Direct Vent NG
	1700IP	L2 Linear Series Engine Direct Vent LPG
FUEL BEDS	1705DWK	Long Beach Driftwood Kit
	1710DGM	Murano Decorative Glass Kit
LINERS	1715FBL	Fluted Black Liner
	1725EBL	Enamel Black Liner
	1725EBL-03	1725EBL Ceramic Infill Panel (see manual for requirements)
SURROUNDS	1750LSB	5-1/4" Surround - Black (24-5/8"h X 59-1/2"w)
	1750LSP	5-1/4" Surround - Brushed Nickel (24-5/8"h X 59-1/2"w)
	1750LSZ	5-1/4" Surround - Bronze (24-5/8"h X 59-1/2"w)
	1755LFB	1" Finishing Trim Kit - Black (16-1/4"h X 51-3/8"w)
	1770RCS	GRC Surround Kit - Sandstone (25-7/8"h X 61"w)
ACCESSORIES	1270RBK	Remote Blower Kit
	1506DRK	Decorative Rock Kit
	1565LLK	Lighting Kit (not recommended for use with the 1725EBL)
	1595CFK	Circulating Fan Kit (Reduces temperature above unit where desired)
	GV60BRK	1-Hour Shut Down Handset
	GV60NTK	Non-Thermostat Handset

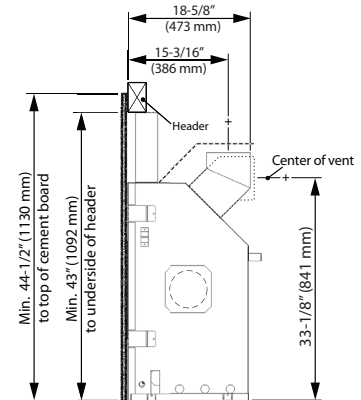
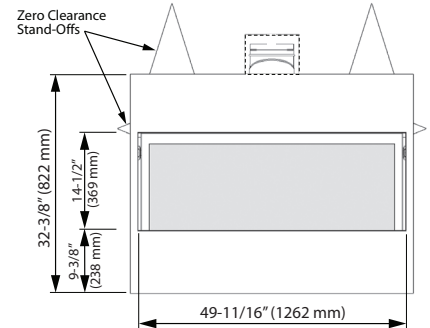
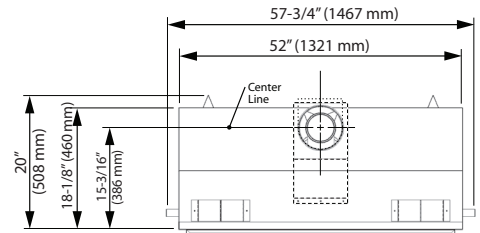
MODEL/FUEL

Model	Fuel	Max. Input BTU/hr	Min. Input BTU/hr	EnerGuide Rating**	Max. Output** (w/out fan) BTU/hr
1700IN	NG	36,000	19,000	66.9%	25,916
1700IP	LPG	34,000	21,000	69.2%	25,347

Certified to ANSI Z21.88a-2012/ CSA 2.33a-2012 Vented Gas Fireplace Heater American National Standard
CGA - 2.17-91 Gas Fired Appliances for use at High Altitudes

** EnerGuide Ratings and Outputs have been determined without a fan/blower, using the CSA P4.1-09 test method

L2 FIREPLACE DIMENSIONS



FIREPLACE SAFETY

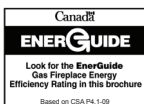
VALOR ZONE & RADIANT COMFORT

Heating your entire home with a central forced air system wastes valuable energy and is often inefficient. An environmentally friendly and cost effective heat source alternative, Valor fireplaces provide steady, radiant warmth directly where you want it - when you want it.

USE RADIANT HEAT SAFELY

Fireplace surfaces, in particular the glass viewing window, are extremely hot during operation and will remain hot for a period of time after the fireplace is turned off. Contact with the hot glass can cause severe burns. Close adult supervision is required if there are young children, or at-risk individuals in the house. Included with your purchase, a Valor Barrier Screen is recommended at all times. Install an approved aftermarket safety gate to keep toddlers, young children and at-risk individuals a safe distance from the fireplace. For more information please visit www.valorfireplaces.com/safety.

Please Note: All product information is accurate at time of printing and is subject to change. Printed images may vary from actual product. Refer to the L2 Linear Series engine manuals for product installation.



Designed and manufactured by:



Copyright Miles Industries Ltd. 2013

Proudly made in North America
BRL213E

Your Authorized Valor Dealer

Printed on recycled paper