



Valor L1 SERIES - LONG BEACH FIRE™

BRL113E

valor
THE ORIGINAL
RADIANT GAS FIREPLACE™
www.valorfireplaces.com



Valor L1 SERIES - MURANO GLASS FIRE™

BRL113E

valor
THE ORIGINAL
RADIANT GAS FIREPLACE™
www.valorfireplaces.com



1500I L1 Series with 1505DWK Long Beach Fire, 1515FBL Fluted Black Liner & 1550LSZ 3.5" Surround in Bronze

valor L1 LINEAR FIREPLACE™

Please refer to the complete L1 (1500I) product manual before installation

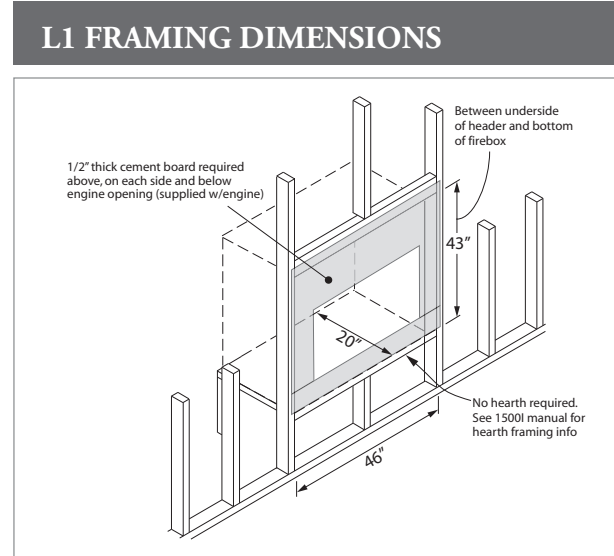
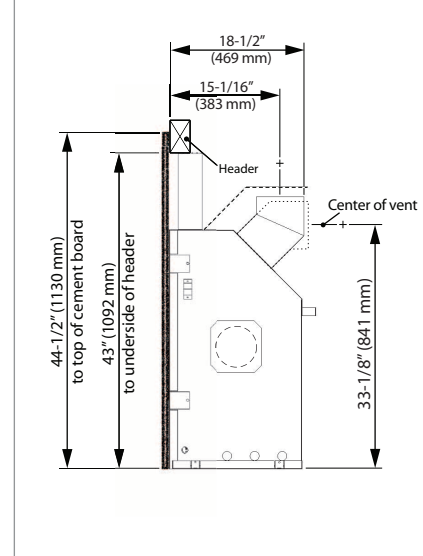
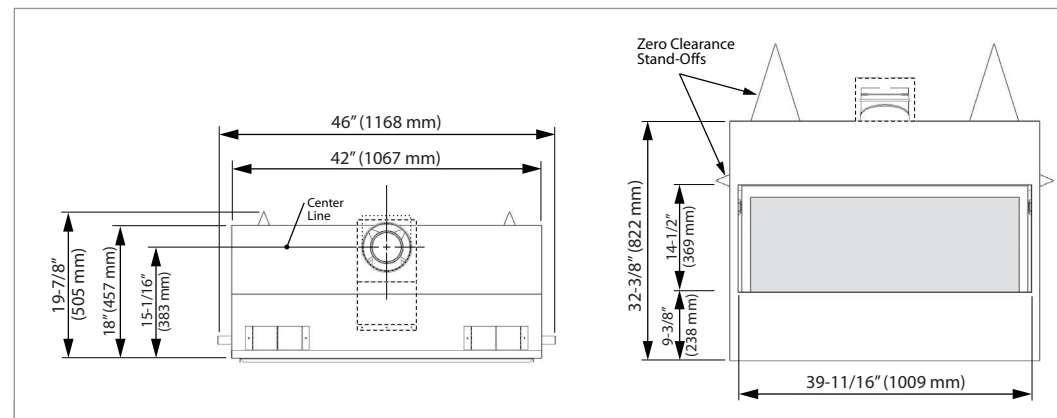
L1 FIREPLACE COMPONENTS

ENGINES	1500IN	Direct Vent L1 Series Engine NG
	1500IP	Direct Vent L1 Series Engine LPG
	1500NGK	Conversion Kit to NG
	1500PGK	Conversion Kit to LPG
FUEL BEDS	1505DWK	Long Beach Fire - Driftwood and River Rock
	1506DRK	Decorative Rock Kit (optional rock accessory kit for the 1505DWK)
	1510DGM	Murano Decorative Glass Fire - (Black & Azura Decorative Glass)
	1512MBS	Murano Beaded Glass Fire - (Clear Beaded Glass)
LINERS	1515FBL	Fluted Black Liner
	1520FSL	Fluted Sand Liner
	1525EBL	Enamel Black Liner
	1525EBL-03	Ceramic Infill Panels for the 1525EBL (see manual for requirements)
SURROUNDS/ACCESSORIES	1550LSB	3.5" Surround - Black
	1550LSZ	3.5" Surround - Bronze
	1550LSP	3.5" Surround - Brushed Nickel
	1555LFB	Finishing Trim Black - 1"
	1565LLK	Lighting Kit (not recommended for use with the 1525EBL)
	1570RCS	GRC Concrete Surround Kit - Sandstone
	1595CFK	Circulating Fan Kit (Reduces temperature above unit where desired)
	GV60BRK	Bedroom Kit - with automatic 1 hour shutdown
	GV60NTK	Valor EasyFire handheld remote control (turn pilot on/off & adjust flame)
1270RBK	Valor Remote Blower Kit	

MODEL/FUEL	Model	Fuel	Max. Input BTU/hr	Min. Input BTU/hr	EnerGuide Rating**	Max. Output** (w/out fan) BTU/hr
	1500IN	NG	30,000	16,000	65.77%	21,705
	1500IP	LPG	28,000	15,000	66.45%	20,409

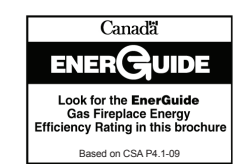
Certified to ANSI Z21.88a-2012/ CSA 2.33a-2012 Vented Gas Fireplace Heater American National Standard CGA - 2.17-91 Gas Fired Appliances for use at High Altitudes
** EnerGuide Ratings and Outputs have been determined without a fan/blower, using the CSA P4.1-09 test method

L1 PRODUCT DIMENSIONS



L1 FRAMING DIMENSIONS

ABOUT OUR EFFICIENCY RATINGS - All Valor product literature is published using recognized Canadian and US government test methods for determining energy efficiency performance. This ensures our products will perform in your home as rated. Beware of misleading "steady state" efficiency claims made by manufacturers using their own "in-house" test methods. For example - a large difference between an Energuide rating and a "steady state efficiency" may indicate misleading efficiency claims. Visit valorfireplaces.com for more information.



All product information is accurate at time of printing and is subject to change. Please Note: Printed images may vary from actual product.

Printed on recycled paper



1500I L1 Series with 1510DGM Murano Decorative Glass Fire, 1525EBL Enamel Black Liner & 1555LFB 1" Finishing Trim in Black



Displayed with Solus Handcast Concrete Decor - solusdecor.com

LINEAR DESIGN MEETS VALOR PERFORMANCE

Showcasing leading edge design, quality finishes and high efficiency, the L1 Series combines Valor's proven performance with the latest in linear design.

A highly effective radiant and convective heater, the L1 raises "decorative widescreen" fireplace standards. Low turndowns provide hours of comfort, efficiently distributing warmth where you want it - when you want it.

VALORSTAT PLUS REMOTE CONTROL - STANDARD FEATURE



Easily select, adjust and program the desired temperature that you want, saving energy and lowering your overall home heating costs.

Pilot On Demand: Turn your pilot light **ON** and **OFF** from the handheld remote for years of additional energy savings.

In addition to the ValorStat Plus remote the **Wall Switch Kit** (a standard feature) provides secondary fireplace control.

NO POWER, NO PROBLEM

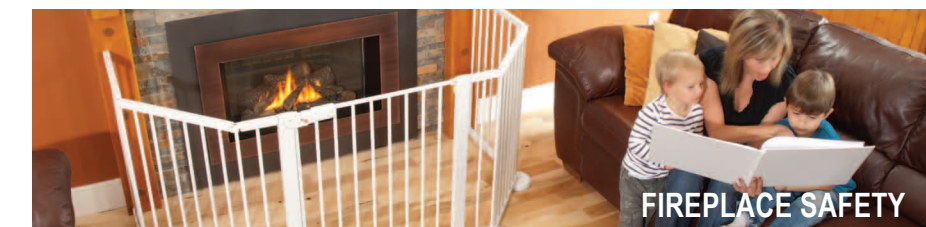
Engineered to circulate air through natural convection, the L1 is highly efficient without a fan - providing reliable heat, even during a power failure.

USE RADIANT HEAT SAFELY

Fireplace surfaces, in particular the glass viewing window, are extremely hot during operation and will remain hot for a period of time after the fireplace is turned off. Contact with the hot glass can cause severe burns.

Close adult supervision is required if there are young children, or at-risk individuals in the house. Included with your purchase, a Valor Barrier Screen is recommended at all times. Install an approved aftermarket safety gate to keep toddlers, young children and at-risk individuals a safe distance from the fireplace.

For more information please visit www.valorfireplaces.com/safety.



FIREPLACE SAFETY

LONG BEACH FIRE

Over time, coastal shores form natural landscapes. Changing tides welcome dramatic weather, continuously evolving unique ecosystems. The Long Beach fire portrays raw, coastal elements, welcoming you to a state of warmth and relaxation.



1505DWK Long Beach Fire

1520FSL Fluted Sand Liner & 1550LSZ 3.5" Surround in Bronze



1505DWK Long Beach Fire

1515FBL Fluted Black Liner & 1550LSB 3.5" Surround in Black



1505DWK Long Beach Fire

1525EBL Enamel Black Liner & 1555LFB 1" Finishing Trim in Black

"Fire on water" inspired the Murano design - a tribute to centuries of Italian artisan glassmakers. Black and azura decorative glass illuminates flames within, casting reflections on a stunning glass base (1510DGM).
Murano fire also available in a clear beaded glass design (1512MBS - bottom right image).

MURANO GLASS FIRES



1510DGM - Murano Decorative Glass Fire with Glass Base

1520FSL Fluted Sand Liner & 1550LSZ 3.5" Surround in Bronze



1510DGM - Murano Decorative Glass Fire with Glass Base

1515FBL Fluted Black Liner & 1550LSB 3.5" Surround in Black



1512MBS - Murano Beaded Glass Fire

1525EBL Enamel Black Liner & 1550LSP 3.5" Surround in Brushed Nickel



Displayed with Solus Handcast Concrete Decor - solusdecor.com



1500I L1 Series with 1505DWK Long Beach Fire, 1515FBL Fluted Black Liner & 1555LFB 1" Finishing Trim in Black