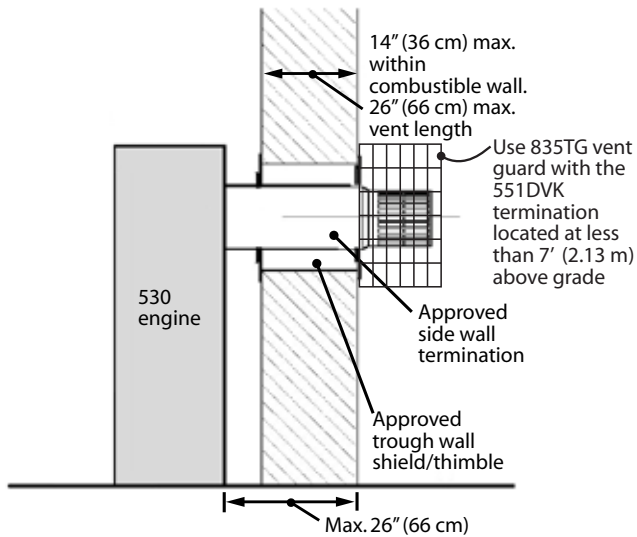
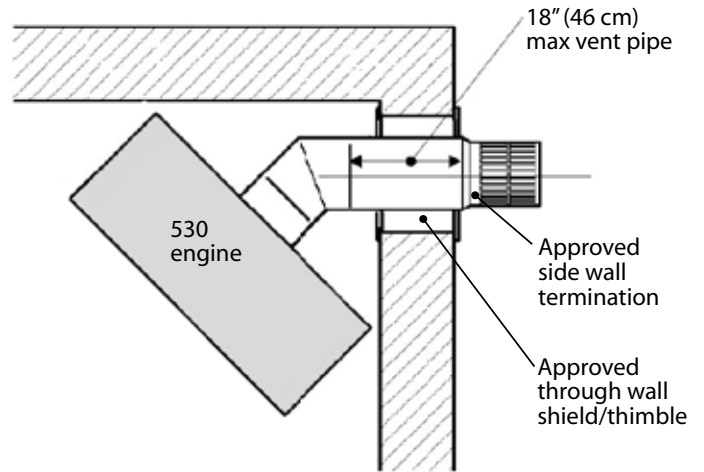


HORIZONTAL TERMINATION

Flat on the Wall



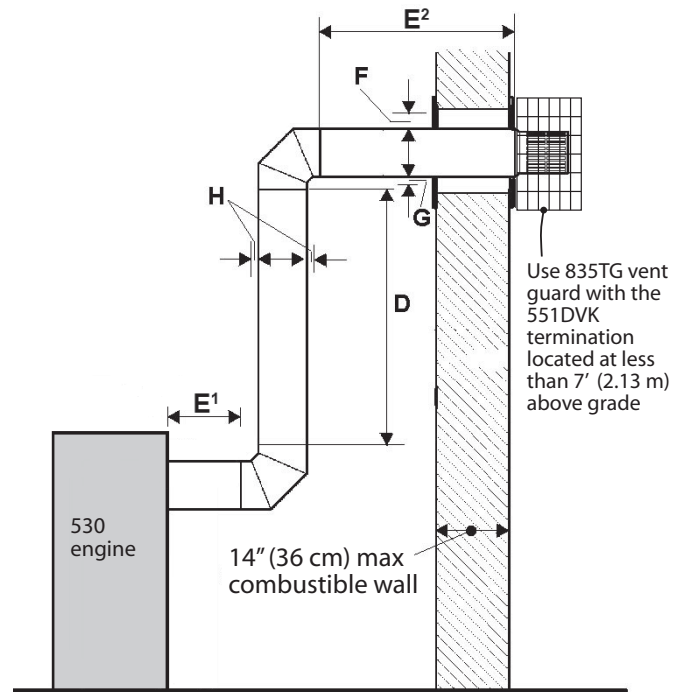
In Corner—No Vertical Rise



HORIZONTAL TERMINATION

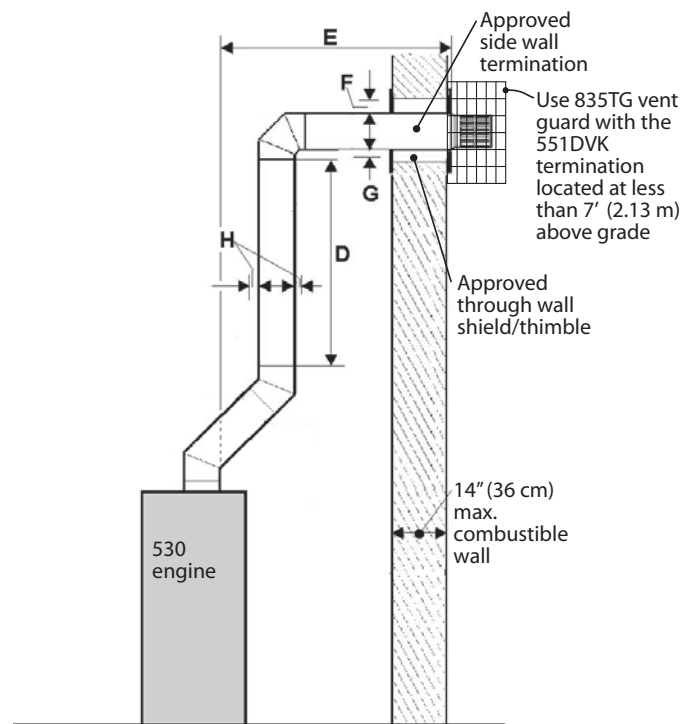
Rear Outlet with Vertical Rise

	Minimum	Maximum
D: Vertical pipe run	12" (30 cm)	8' (244 cm)
E: Horizontal pipe run (Total before and after elbows) $E^1 + E^2$	-	4'-6" (137 cm)
F: Clearance to combustible materials above horizontal pipe run	2-5/8" (6.7 cm)	-
G: Clearance to combustible materials below horizontal pipe run	1-5/16" (3.3 cm)	-
H: Clearance to combustible materials all round vertical pipe run and at sides of horizontal pipe run	1-5/16" (3.3 cm)	-



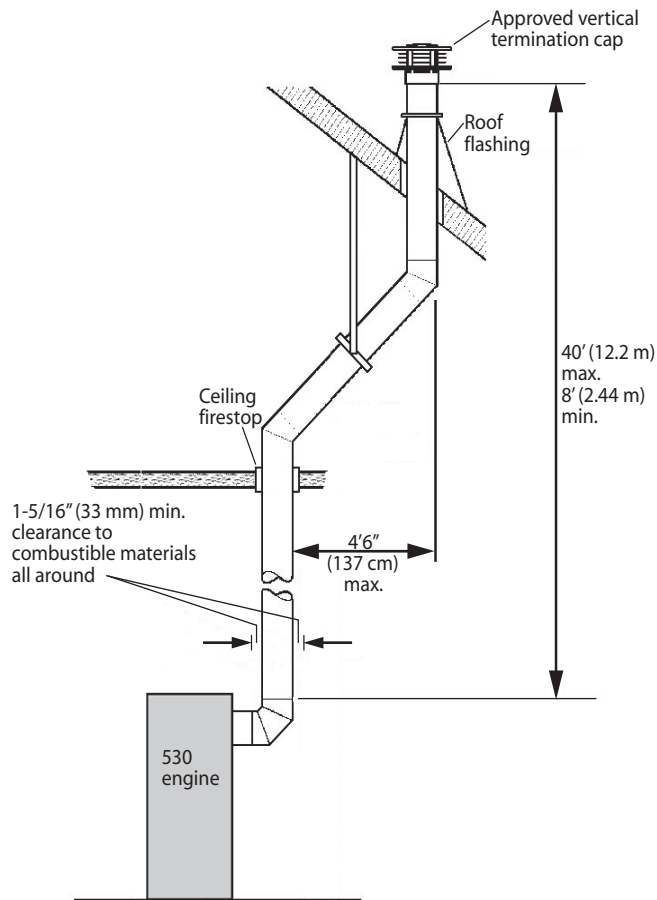
Top Outlet with Vertical Rise

	Minimum	Maximum
D: Vertical pipe run (total)	9" (23 cm)	8' (244 cm)
E: Horizontal pipe run (total)	-	4'-6" (137 cm)
F: Clearance to combustible materials above horizontal pipe run	2-5/8" (6.7 cm)	-
G: Clearance to combustible materials below horizontal pipe run	1-5/16" (3.3 cm)	-
H: Clearance to combustible materials all round vertical pipe run and at sides of horizontal pipe run	1-5/16" (3.3 cm)	-



VERTICAL TERMINATION

Rear Outlet Through Roof (Co-Axial Pipe)



Top Outlet Through Roof (Co-Axial Pipe)

