



VOGUE



Direct Vent Zero Clearance Fireplace 1300ILN (NG) & 1300ILP (LPG) Installation & Operating Instructions

WARNING



**HOT GLASS WILL
CAUSE BURNS.**

**DO NOT TOUCH GLASS
UNTIL COOLED.**

**NEVER ALLOW CHILDREN
TO TOUCH GLASS.**

INSTALLER: Leave this manual with the appliance.
CONSUMER: Retain this manual for future reference.

Please read this manual BEFORE installing and operating this appliance.

WARNING: If the information in these instructions is not followed exactly, a fire or explosion may result causing property damage, personal injury or loss of life.

Do not store or use gasoline or other flammable vapors and liquids in the vicinity of this or any other appliance.

WHAT TO DO IF YOU SMELL GAS

- Do not try to light the appliance.
- Do not touch any electrical switch; do not use any phone in your building.
- Immediately call your gas supplier from a neighbor's phone. Follow the gas supplier's instructions.
- If you cannot reach your gas supplier, call the fire department.

Installation and service must be performed by a qualified installer, service agency or the gas supplier.

This appliance may be installed in an after-market permanently located, manufactured (mobile) home where not prohibited by local codes.

This appliance is only for use with the type of gas indicated on the rating plate. This appliance is not convertible for use with other gases, unless a certified kit is used.

This appliance is a domestic room-heating appliance. It must not be used for any other purposes such as drying clothes, etc.

This appliance is suitable for installation in a bedroom or bed sitting room.

Massachusetts: The piping and final gas connection must be performed by a licensed plumber or gas fitter in the State of Massachusetts. Also, see Carbon Monoxide Detector requirements under "Safety and Warning Information" on page 5.

Manufactured by
MILES INDUSTRIES LTD., British Columbia, Canada
www.valorfireplaces.com

CAUTION—HOT! HOT! HOT!

This appliance is a HEATING appliance and it becomes very hot when in operation.

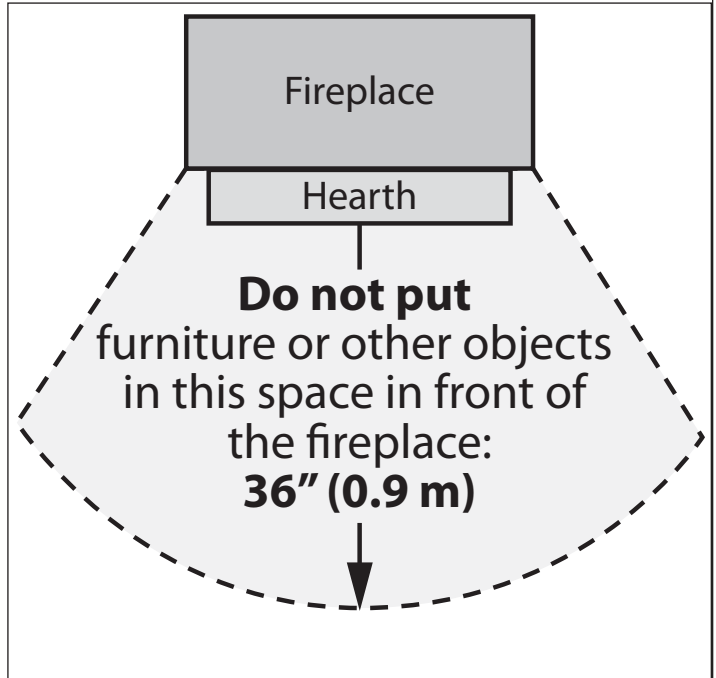
UNDER ANY CIRCUMSTANCES, DO NOT PLACE any object, furniture, draperies or other item LESS THAN 36 inches (0.9 m) IN FRONT OF THE FIREPLACE.

CHILDREN and PETS

Radiant heat can heat surfaces such as the hearth in front of the fireplace to temperatures that, although approved safe, can be quite uncomfortable to touch or step on—particularly for children and pets. Children and pets should always be supervised when in the room where the appliance is located. Remote control handset should be kept out of reach of children. In the presence of children, we **STRONGLY RECOMMEND** that you install in front of the fireplace: a fire screen or, to protect young toddlers, a “hearth gate”—see Options on page 38.

HOT SURFACES

Be aware that, although safe, some combustible materials and finishes, even though installed at listed clearances may, over time, discolor, warp or show cracks. The 1300IR requires the installation of the cement board provided with the engine. Convective heat will exit the unit and travel up the wall surface if not impeded. Protruding mantels and projections can help direct the heat away from the wall. **AVOID PLACING** heat sensitive items such as televisions, paintings, decorations, etc. above fireplaces or near the edge of protrusions unless appropriate.



The information contained in this installation manual is believed to be correct at the time of printing. Miles Industries Ltd. reserves the right to change or modify any information or specifications without notice. Miles Industries Ltd. grants no warranty, implied or stated, for the installation or maintenance of your heater, and assumes no responsibility for any consequential damage(s).



We recommend that our gas hearth products be installed and serviced by professionals who are certified in the United States by NFI (National Fireplace Institute®).

Designed and Manufactured by / for
Miles Industries Ltd.

190–2255 Dollarton Highway, North Vancouver, BC, CANADA V7H 3B1

Tel. 604-984-3496 Fax 604-984-0246

www.valorfireplaces.com

© Copyright Miles Industries Ltd., 2010

Table of Contents

Safety and Warning Information	4
◇ Specifications	7
Overview	8
◇ Dimensions	9
Location	9
◇ Mantel Clearances	10
Framing & Hearth Requirements	12
Venting	14
Co-Axial Venting	15
Co-Linear Venting	19
Installation Planning	20
Appliance Preparation	21
Window Removal	24
Supply Gas Installation	24
Ceramic Liners Installation	26
Fuel Bed Installation	27
Window Refitting	28
◇ Remote Control Initial Set-up	29
Operation Check & Aeration Settings Adjustment	30
Remote Control Handset Wall Holder Installation	30
◇ Owner's Information	31
◇ Remote Control Operation	35
Options	38
Lighting Instructions	39
◇ Wiring Diagram	40
Warranty	41
◇ Spare Parts	42

◇ = Updated content

Safety and Warning Information

READ and **UNDERSTAND** all instructions carefully before starting the installation. **FAILURE TO FOLLOW** these installation instructions may result in possible fire hazard and will void the warranty.

Prior to the first firing of the fireplace, **READ** the Owner's Information section of this manual.

DO NOT USE this appliance if any part has been under water. Immediately, **CALL** a qualified service technician to inspect the unit and to replace any part of the control system and any gas control that has been under water.

THIS UNIT IS NOT FOR USE WITH SOLID FUEL.

Installation and repair should be **PERFORMED** by a qualified service person. The appliance and venting system should be **INSPECTED** before initial use and at least annually by a professional service person. More frequent cleaning may be required due to excessive lint from carpeting, bedding, etc. It is **IMPERATIVE** that the unit's control compartment, burner, and circulating air passageways **BE KEPT CLEAN** to provide for adequate combustion and ventilation air.

Always **KEEP** the appliance clear and free from combustible materials, gasoline, and other flammable vapors and liquids.

NEVER OBSTRUCT the flow of combustion and ventilation air. Keep the front of the appliance **CLEAR** of all obstacles and materials for servicing and proper operation.

Due to the high temperature, the appliance should be **LOCATED** out of traffic areas and away from furniture and draperies. Clothing or flammable material **SHOULD NOT BE PLACED** on or near the appliance.

Children and adults should be **ALERTED** to the hazards of high surface temperature and should **STAY AWAY** to avoid burns or clothing ignition.

YOUNG CHILDREN should be **CAREFULLY SUPERVISED** when they are in the same room as the appliance. Toddlers, young children and others may be susceptible to **ACCIDENTAL CONTACT BURNS**. A physical barrier is recommended if there are at risk individuals in the house. To restrict access to a fireplace or stove, **INSTALL AN ADJUSTABLE SAFETY GATE** to keep toddlers, young children and other at risk individuals out of the room and away from hot surfaces.

This unit **MUST** be used with a vent system as described in this installation manual. **NO OTHER** vent system or components **MAY BE USED**.

This gas fireplace and vent assembly **MUST** be vented directly to the outside and **MUST NEVER** be attached to a chimney serving a separate solid fuel burning appliance. Each gas appliance **MUST USE** a separate vent system. Common vent systems are **PROHIBITED**.

INSPECT the external vent cap on a regular basis to make sure that no debris, plants, trees, shrubs are interfering with the air flow.

The glass door assembly **MUST** be in place and sealed before the unit can be placed into safe operation.

DO NOT OPERATE this appliance with the glass door removed, cracked, or broken. Replacement of the glass door should be performed by a licensed or qualified service person. **DO NOT** strike or slam the glass door.

The glass door assembly **SHALL ONLY** be replaced as a complete unit, as supplied by the fireplace manufacturer. **NO SUBSTITUTE** material may be used.

DO NOT USE abrasive cleaners on the glass door assembly. **DO NOT ATTEMPT** to clean the glass door when it is hot.

TURN OFF the gas before servicing this appliance. It is recommended that a qualified service technician perform an appliance check-up at the beginning of each heating season.

Any safety screen or guard removed for servicing **MUST BE REPLACED** before operating this appliance.

DO NOT place furniture or any other combustible household objects within 36" of the fireplace front.

BE CAREFUL not to put any decorating objects sensitive to heat to close above or around the fireplace as it gets very hot when operating.

DO NOT use this heater as a temporary source of heat during construction.

This appliance is a **DOMESTIC ROOM-HEATING APPLIANCE**. It must not be used for any other purposes such as drying clothes, etc.

Safety and Warning Information

HOT SURFACES. Be aware that, although safe, some combustible materials and finishes, even though installed at listed clearances may, over time, discolor, warp or show cracks. The 1300IL requires the installation of the cement board provided with the engine.

Convective heat will exit the unit and travel up the wall surface if not impeded. Protruding mantels and projections can help direct the heat away from the wall. AVOID PLACING heat sensitive items such as televisions, paintings, decorations, etc. above fireplaces or near the edge of protrusions unless appropriate.

Radiant heat can heat surfaces such as the hearth in front of the fireplace to temperatures that, although approved safe, can be quite uncomfortable to touch or step on—particularly for children and pets. Accessory screens and guards will reduce the radiant heat on these surfaces.

Operating Your Fireplace for the First Time

When operating your new fireplace for the first time, some vapors may be released due to the burning of curing compounds used in the manufacture of the appliance. They may cause a slight odor and could cause the flames to be the full height of the firebox, or even slightly higher, for the first few hours of operation. It is also possible that these vapors could set off any smoke detection alarms in the immediate vicinity.

These vapors are quite normal on new appliances. We recommend opening a window to vent the room. After a few hours use, the vapors will have disappeared and the flames will be at their normal height.

State of California. Proposition 65 Warning.

Fuels used in gas, wood-burning or oil fired appliances, and the products of combustion of such fuels, contain chemicals known to the State of California to cause cancer, birth defects and other reproductive harm. California Health & Safety Code Sec. 25249.6.

State of Massachusetts Carbon Monoxide Detector/Vent Terminal Signage Requirements

For all side wall horizontally vented gas fueled equipment installed in every dwelling, building or structure used in whole or in part for residential purposes, including those owned or operated by the Commonwealth and where the side wall exhaust vent termination is less than seven (7) feet above finished grade in the area of the venting, including but not limited to decks and porches, the following requirements shall be satisfied:

1. INSTALLATION OF CARBON MONOXIDE DETECTORS. At the time of installation of the side wall horizontal vented gas fueled equipment, the installing plumber or gas fitter shall observe that a hard wired carbon monoxide detector with an alarm and battery back-up is installed on the floor level where the gas equipment is to be installed. In addition, the installing plumber or gas fitter shall observe that a battery operated or hard wired carbon monoxide detector with an alarm is installed on each additional level of the dwelling, building or structure served by the side wall horizontal vented gas fueled equipment. It shall be the responsibility of the property owner to secure the services of qualified licensed professionals for the installation of hard wired carbon monoxide detectors.

a. In the event that the side wall horizontally vented gas fueled equipment is installed in a crawl space or an attic, the hard wired carbon monoxide detector with alarm and battery back-up may be installed on the next adjacent floor level.

b. In the event that the requirements of this subdivision can not be met at the time of completion of installation, the owner shall have a period of thirty (30) days to comply with the above requirements; provided, however, that during said thirty (30) day period, a battery operated carbon monoxide detector with an alarm shall be installed.

2. APPROVED CARBON MONOXIDE DETECTORS. Each carbon monoxide detector as required in accordance with the above provisions shall comply with NFPA 720 and be ANSI/UL 2034 listed and IAS certified.

Safety and Warning Information

3. **SIGNAGE.** A metal or plastic identification plate shall be permanently mounted to the exterior of the building at a minimum height of eight (8) feet above grade directly in line with the exhaust vent terminal for the horizontally vented gas fueled heating appliance or equipment. The sign shall read, in print size no less than one-half (1/2) inch in size, "GAS VENT DIRECTLY BELOW. KEEP CLEAR OF ALL OBSTRUCTIONS".

4. **INSPECTION.** The state or local gas inspector of the side wall horizontally vented gas fueled equipment shall not approve the installation unless, upon inspection, the inspector observes carbon monoxide detectors and signage installed in accordance with the provisions of 248 CMR 5.08(2)(a)1 through 4.

(b) **EXEMPTIONS:** The following equipment is exempt from 248 CMR 5.08(2)(a)1 through 4:

1. The equipment listed in Chapter 10 entitled "Equipment Not Required To Be Vented" in the most current edition of NFPA 54 as adopted by the Board; and

2. Product Approved side wall horizontally vented gas fueled equipment installed in a room or structure separate from the dwelling, building or structure used in whole or in part for residential purposes.

(c) **MANUFACTURER REQUIREMENTS - GAS EQUIPMENT VENTING SYSTEM PROVIDED.** When the manufacturer of Product Approved side wall horizontally vented gas equipment provides a venting system design or venting system components with the equipment, the instructions provided by the manufacturer for installation of the equipment and the venting system shall include:

1. Detailed instructions for the installation of the venting system design or the venting system components; and

2. A complete parts list for the venting system design or venting system.

(d) **MANUFACTURER REQUIREMENTS - GAS EQUIPMENT VENTING SYSTEM NOT PROVIDED.**

When the manufacturer of a Product Approved side wall horizontally vented gas fueled equipment does not provide the parts for venting the flue gases, but identifies "special venting systems", the following requirements shall be satisfied by the manufacturer:

1. The referenced "special venting system" instructions shall be included with the appliance or equipment installation instructions; and

2. The "special venting systems" shall be Product Approved by the Board, and the instructions for that system shall include a parts list and detailed installation instructions.

(e) A copy of all installation instructions for all Product Approved side wall horizontally vented gas fueled equipment, all venting instructions, all parts lists for venting instructions, and/or all venting design instructions shall remain with the appliance or equipment at the completion of the installation.

Specifications

Approval & Codes

This appliance is certified to ANSI Z21.88-2009/ CSA 2.33-2009 American National Standard / CSA Standard for *Vented Gas Fireplace Heaters* for use in Canada and USA, and to CGA 2.17-91 *High Altitude Standard in Canada*. This appliance is for direct vent installations.

This appliance complies with CSA P4.1-09 *Testing method for measuring annual fireplace efficiencies*.

The installation must conform to local codes or, in the absence of local codes, with the *National Fuel Gas Code, ANSI Z223.1* or the *Natural Gas and Propane Installation Code CAN/CGA-B149*. Only qualified licensed or trained personnel should install this appliance.

This appliance must be electrically grounded in accordance with local codes, or, in the absence of local codes, with the *National Electrical Code, ANSI/NFPA 70* or the *Canadian Electrical Code, CSA C22.1*.

Ratings

Model	N	P
Gas	Natural	Propane
Altitude (Ft.)*	0-4,500 feet*	
Input Maximum (Btu/h)	30,000	28,000
Input Minimum (Btu/h)	6,500	14,500
Manifold Pressure (in w.c.)	3.7"	10.5"
Minimum Supply Pressure (in w.c.)	5"	11"
Maximum Supply Pressure (in w.c.)	10"	14"
Main Burner Injector Marking	Cat # 82-850	Cat # 92-300
Pilot Injector Marking	#51	#30
Min. Rate By-Pass Screw	#125	#125

*High Altitude Installations

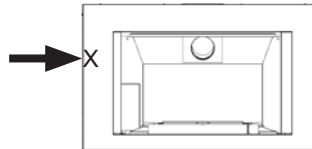
Input ratings are shown in BTU per hour and are certified without deration for elevations up to 4,500 feet (1,370 m) above sea level.

For elevations above 4,500 feet (1,370 m) in USA, installations must be in accordance with the current ANSI Z223.1 and/or local codes having jurisdiction. Heating value of gas in some areas is reduced to compensate for elevation—consult your local gas utility to confirm.

For installations at elevations above 4,500 feet (1,370 m) in Canada, please consult provincial and/or local authorities having jurisdiction.

Supply Gas

Heater engine 1300ILN is used with natural gas. Heater engine 1300ILP is used with propane gas. The supply pressure must be between the limits shown in the Ratings section above.



The supply connection is 3/8" NPT male and located on the left hand side of the firebox. A shut-off valve (not supplied) is required on the supply line to isolate the unit during service.

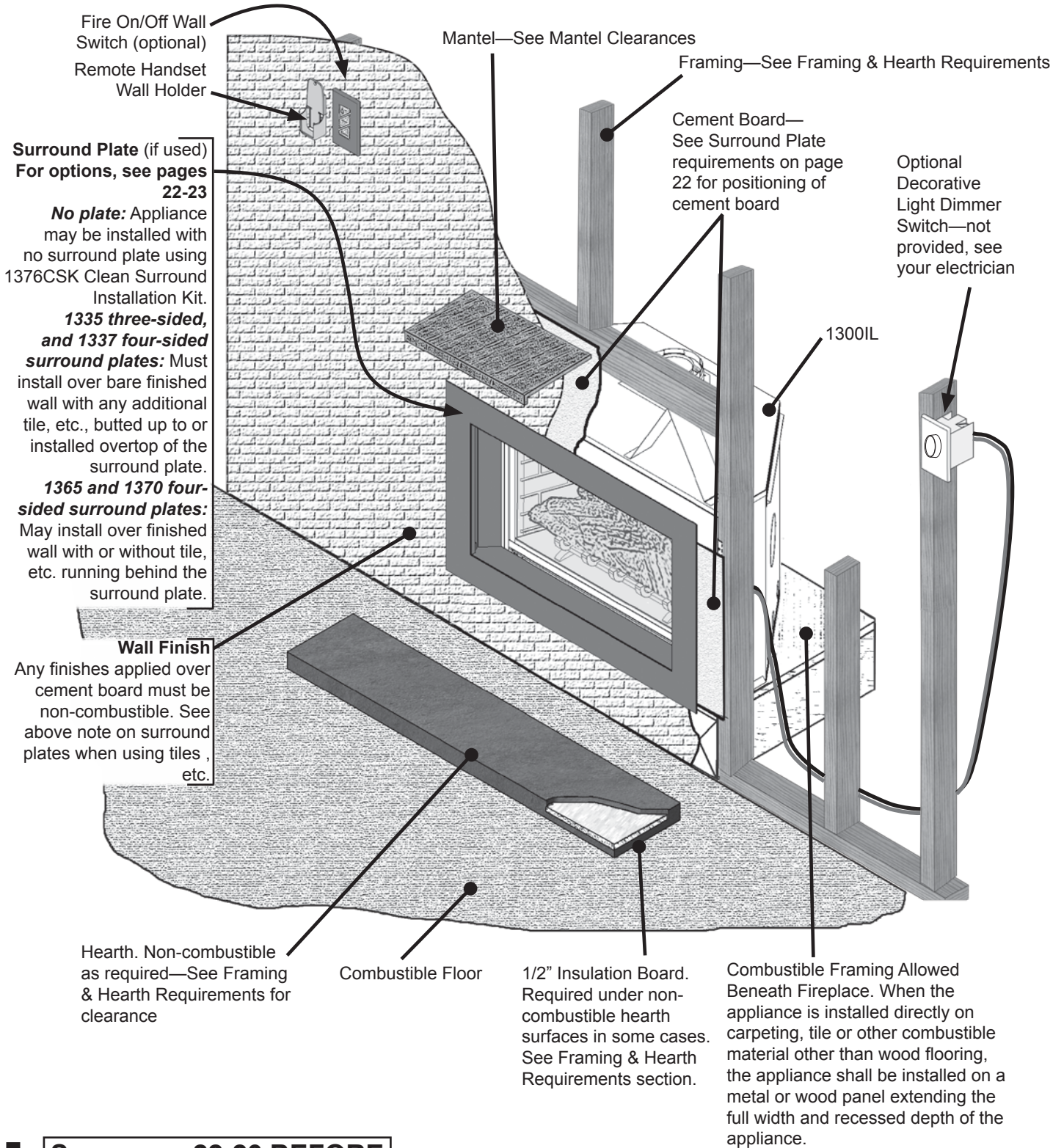
Conversion Kits

The 1300 Vogue is supplied as natural gas or propane gas and is field convertible between fuels. See instructions packaged with the conversion kit for further information.

Electrical

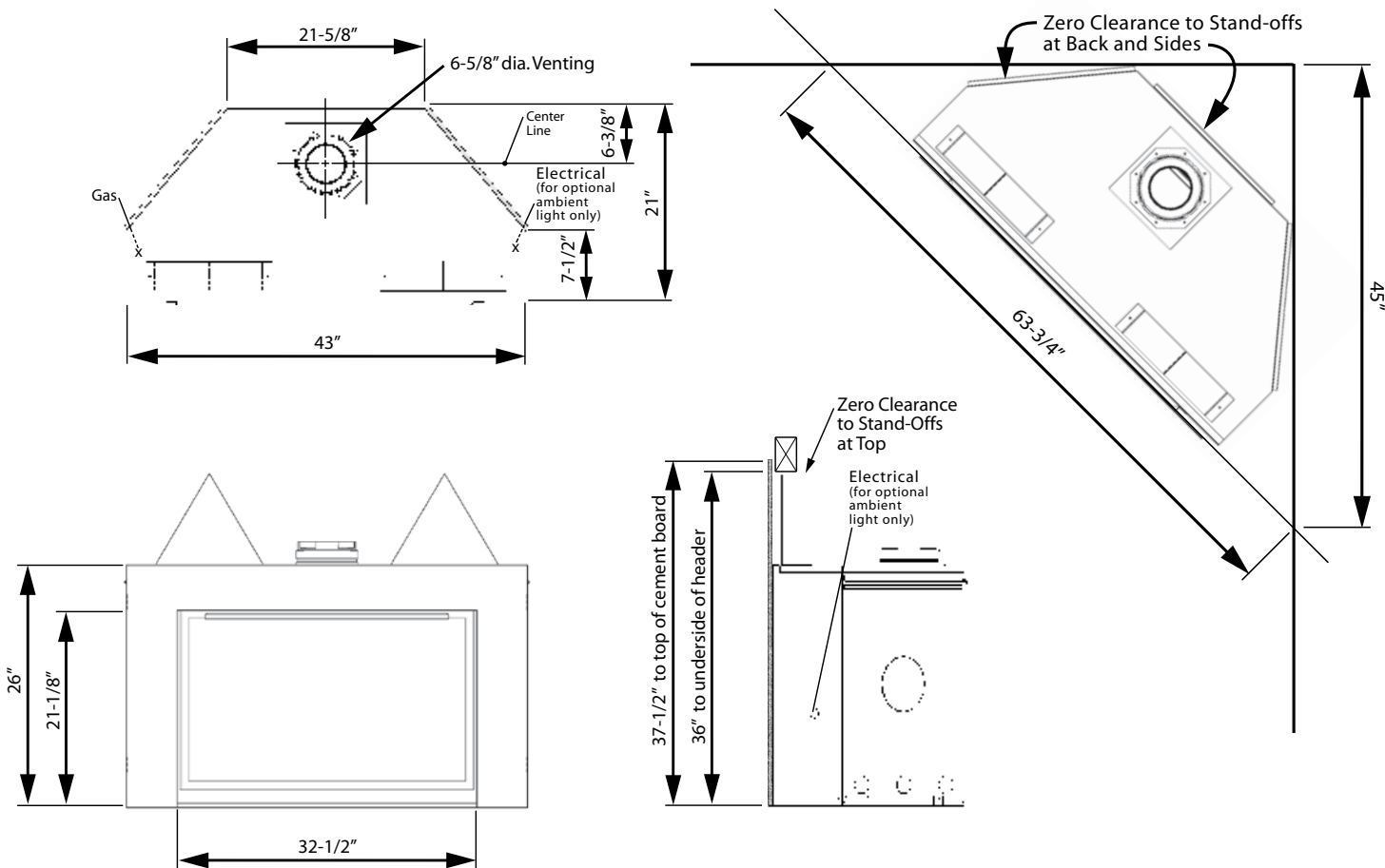
The 1300 does not require an electrical power source to operate as a heater. However, it requires electrical power to operate optional 1355LHK Lighting Harness Kit or 1270RBK Remote Blower Kit.

Overview

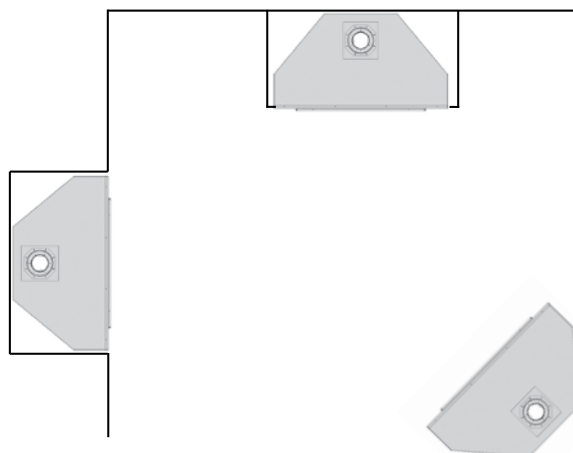


! See pages 22-23 BEFORE framing this appliance!

Dimensions

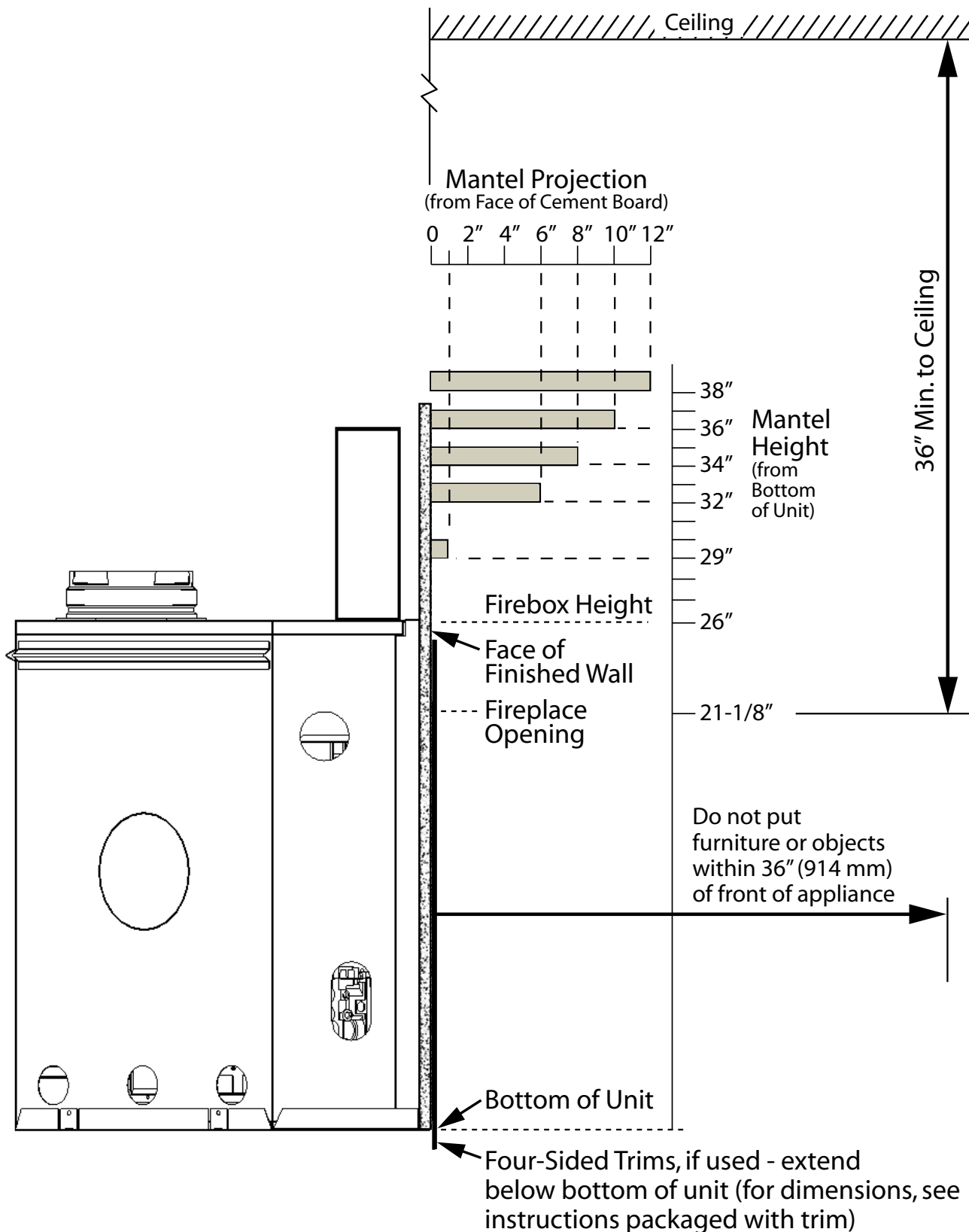


Location



Mantel Clearances

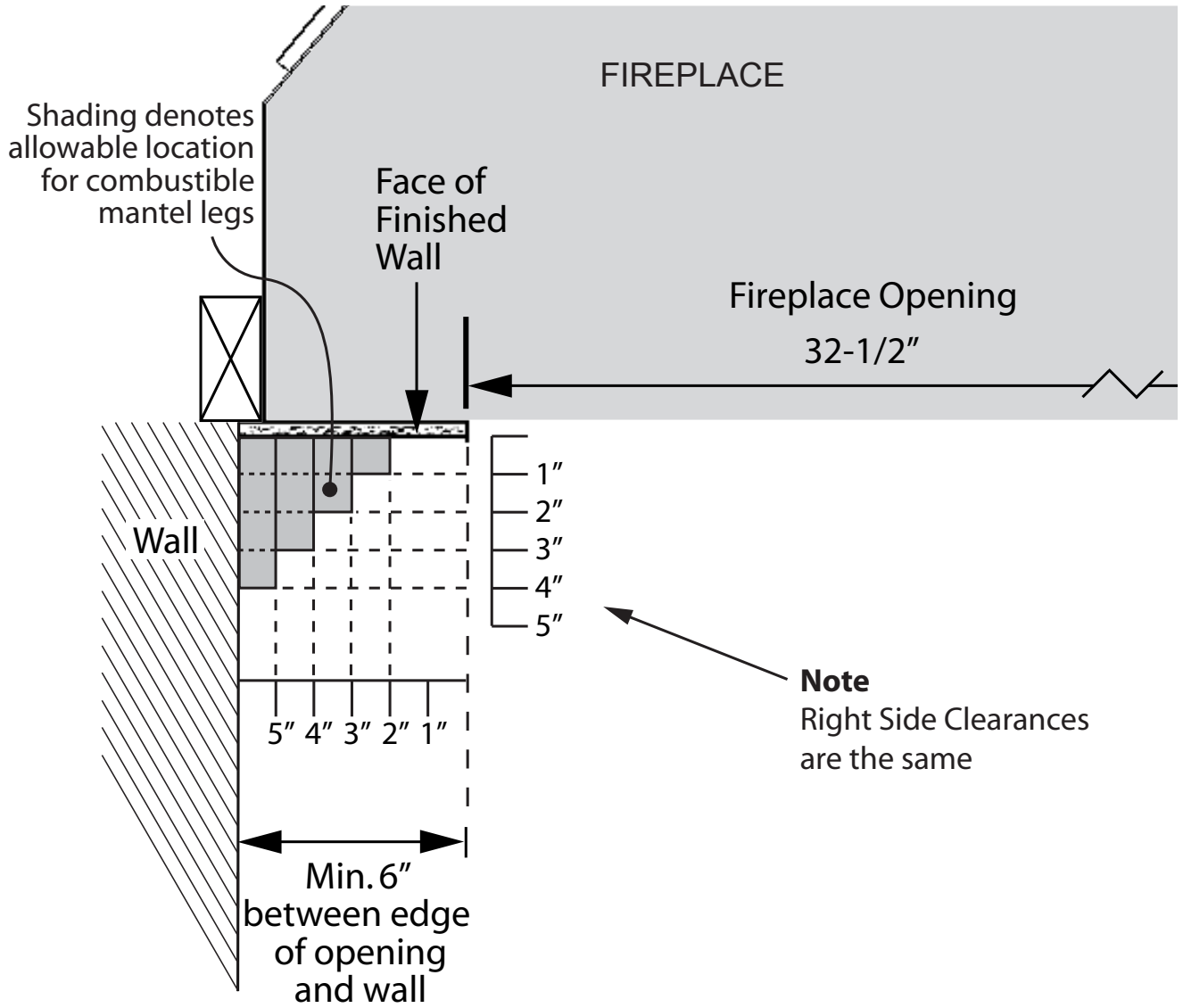
Combustible Mantel—Left Side View



Left Side View

Mantel Clearances

Combustible Sidewall / Mantel Leg—Top View



Top View

Framing & Hearth Requirements

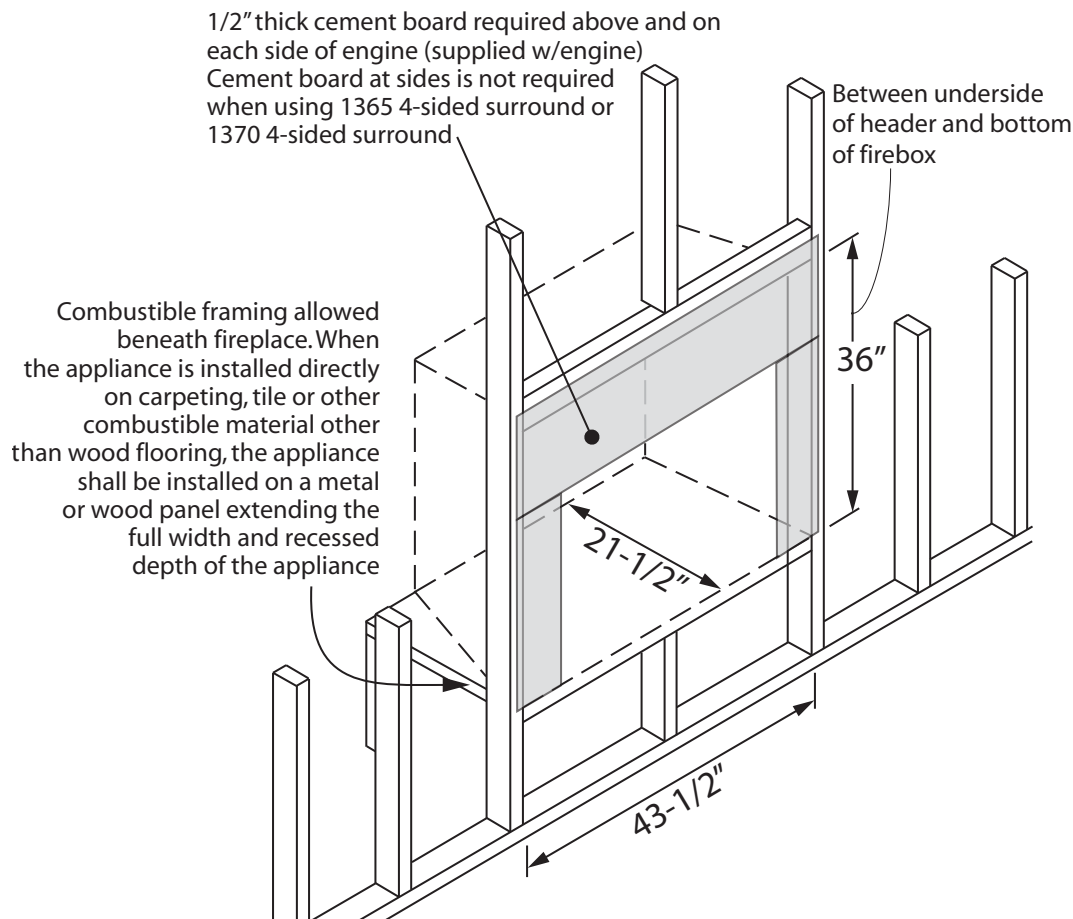
WARNING

SAFETY WARNING! The Vogue is a very effective radiant heater. The hearth/floor in front of the heater can get very hot. Locating the unit raised above the hearth/floor or adding a generic freestanding screen in front of the unit can greatly reduce hearth temperatures. When using a 3-sided trim or when the finishing does not include a trim, any hearth within 2 inches of the base of the heater must be constructed of non-combustible materials (see diagrams in the following pages). Note that some materials, although safe can degrade due to heat—take this into consideration when choosing materials.

Rules

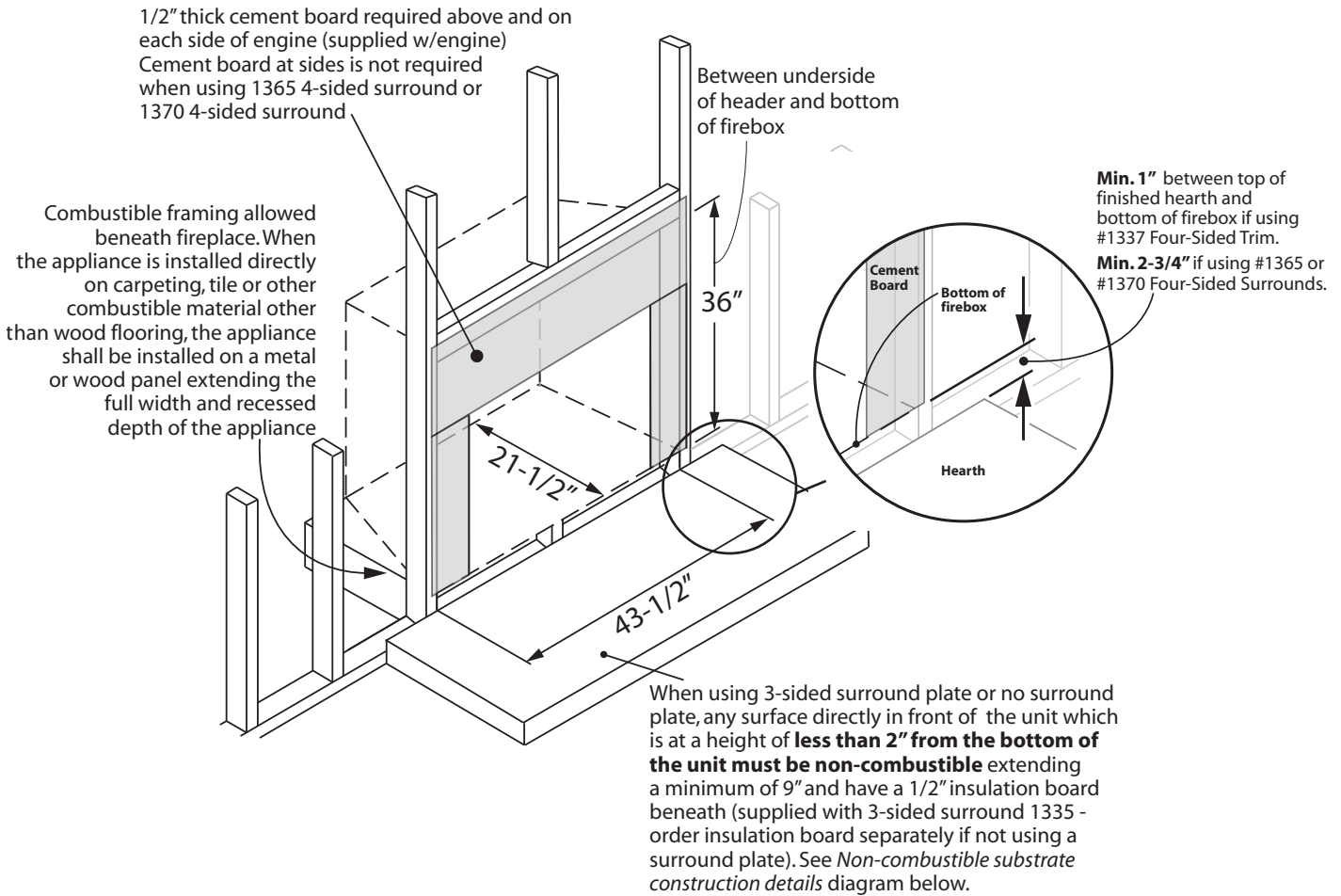
1. When using a 3-sided surround plate or no surround plate, any hearth/floor in front of fireplace less than 2 inches from bottom of unit must be non-combustible and project a minimum distance of 9 inches. The hearth/floor must have a non-combustible finish **applied over the 1/2 inch insulation board** provided with the 3-sided surround plate 1335. Order separately if not using a surround plate. This insulation board acts as a thermal break.
2. Combustible baseboards (1 inch thick or less) located on wall below base of unit are acceptable.
3. a) **With four-sided trims:** Unit will need to be raised in every case by minimum of 1 inch to accommodate a four-sided trim.
b) **With three-sided trims or no trim:** Bottom of heater must be at least 2 inches above combustible hearth/floor finish in front. Non-combustible hearth applied over insulation board required if bottom of fireplace is less than 2 inches above combustible floor in front (see 1.).

Framing Dimensions, unit raised on wall, without hearth

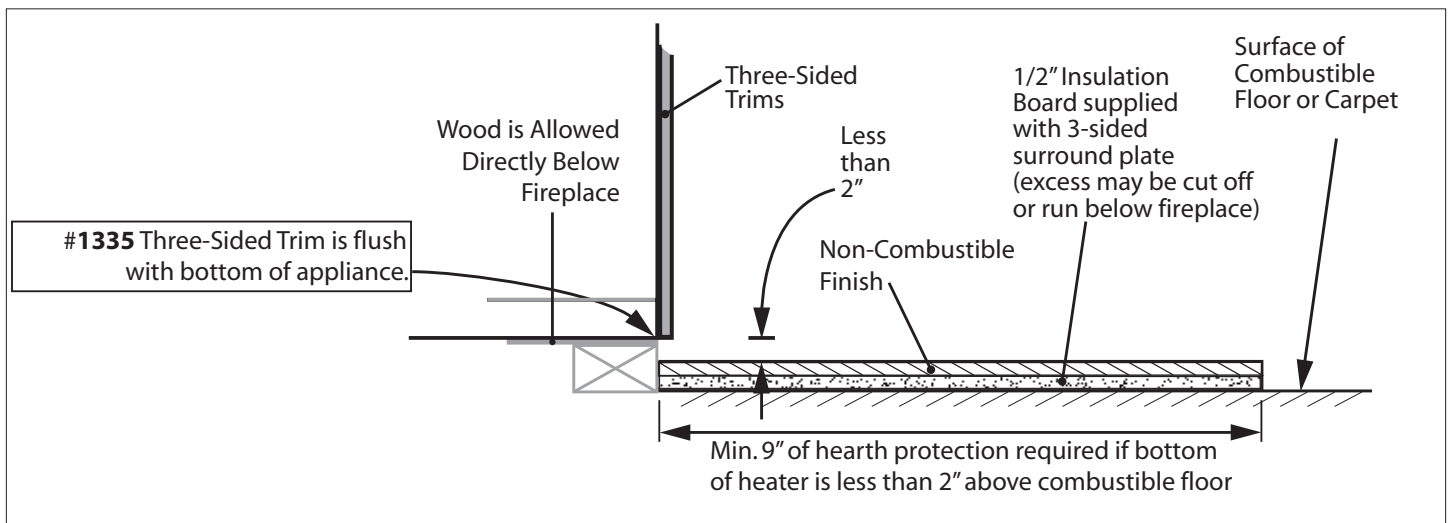


Framing & Hearth Requirements

Framing Dimensions with Hearth



Non-combustible substrate construction detail - Required when using 3-sided surround plates or no surround plate and hearth/floor is within 2" of bottom of appliance



Venting

Vent Material

This unit is approved for installation using 4 x 6-5/8 in co-axial direct vent pipe and accessories manufactured by Simpson Dura-Vent. Follow the installation instructions supplied with the individual venting accessories.

This unit may also be converted to co-linear (2 x 3 in) venting for use in solid-fuel burning fireplaces and chimneys using adapters and accessories—see list below.

Approved Venting Accessories—Simpson Dura-Vent DV unless otherwise specified

Termination Caps

- 46DVA-HC—Standard Co-axial Horizontal
- 46DVA-VC—Standard Co-axial Vertical
- 46DVA-VCH—High Wind Co-axial Vertical
- 46DVA-VCE—Extended Co-axial Vertical
- 46DVA-SNK14—Snorkel, 14" Rise
- 46DVA-SNK36—Snorkel, 36" Rise
- 559CLT—Co-linear Terminal (Valor)

DV 45° Elbows

- 46DVA-E45—Galvanized
- 46DVA-E45B—Black

DV 90° Elbows

- 46DVA-E90—Galvanized
- 46DVA-E90B—Black

Pipes 4" x 6-5/8"

- 46DVA-06—Galvanized, 6" long
- 46DVA-06B—Black, 6" long
- 46DVA-09—Galvanized, 9" long
- 46DVA-09B—Black, 9" long
- 46DVA-12—Galvanized, 12" long
- 46DVA-12B—Black, 12" long
- 46DVA-18—Galvanized, 18" long
- 46DVA-18B—Black, 18" long
- 46DVA-24—Galvanized, 24" long
- 46DVA-24B—Black, 24" long
- 46DVA-36—Galvanized, 36" long
- 46DVA-36B—Black, 36" long
- 46DVA-48—Galvanized, 48" long
- 46DVA-48B—Black, 48" long

Flashing

- 46DVA-F6—Roof 0/12–6/12
- 46DVA-F12—Roof 7/12–12/12
- 46DVA-FF—Flat roof
- 559FSK—Flashing (Valor)

Other accessories

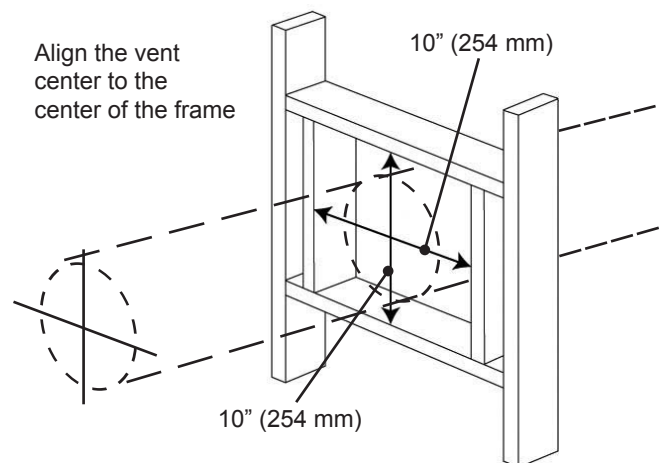
- 46DVA-GCL—Co-axial to Co-linear Adapter
- 46DVA-GK—Co-linear to Co-axial Adapter
- 46DVA-WT—Wall Thimble
- 46DVA-SC—Storm Collar
- 46DVA-DC—Decorative Plate
- 46DVA-CS—Cathedral Ceiling Support
- 46DVA-FS—Ceiling Firestop / Floor Support
- 46DVA-WS—Wall Strap
- 46DVA-VSS—Vinyl Siding Standoff
- 46DVA-ES—Elbow Strap
- 46DVA-WG—Terminal Guard
- 2280—2-ply liner approved to CAN/ULC S635 suitable for venting gas appliances

Wall Thickness

The appliance vent is suitable for penetrating a combustible wall assembly up to 8 inches in thickness. A non-combustible wall can be of any thickness up to the maximum horizontal run of vent pipe allowed for the particular installation.

Framing Vent in Combustible Walls & Ceilings

When penetrating through combustible walls and ceilings, frame a minimum of 10 in x 10 in opening and ensure that the insulation is kept clear of the vent pipe using either a wall thimble or an attic insulation shield. Follow the installation instructions supplied with the individual venting components.



Co-Axial Venting

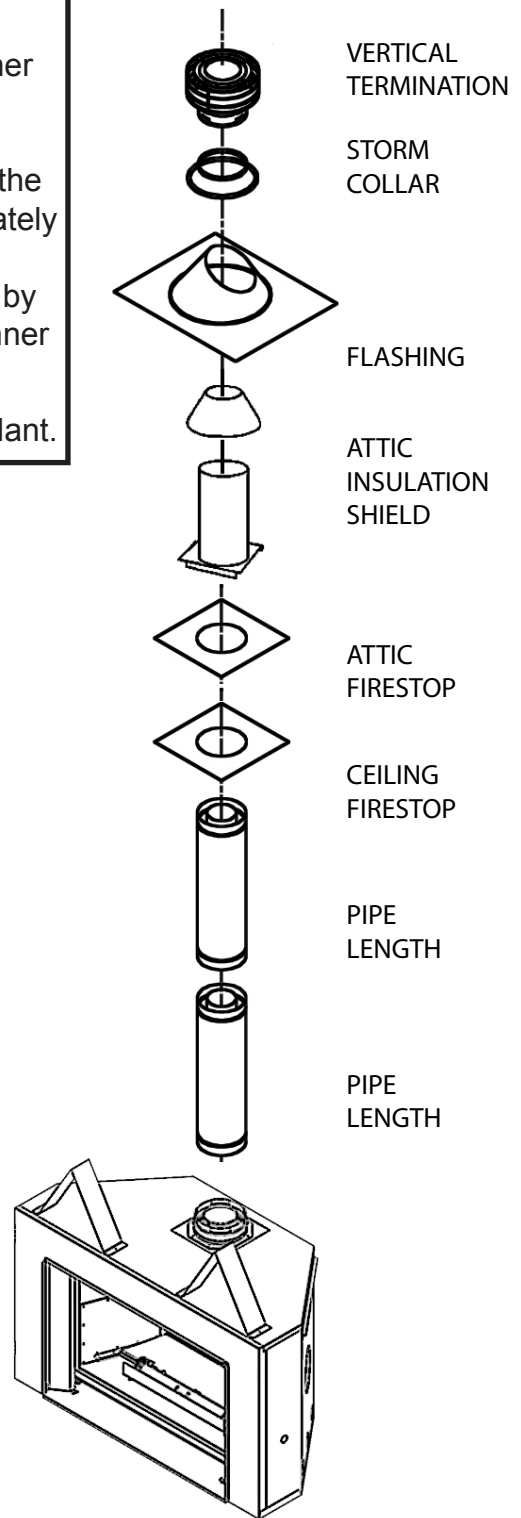
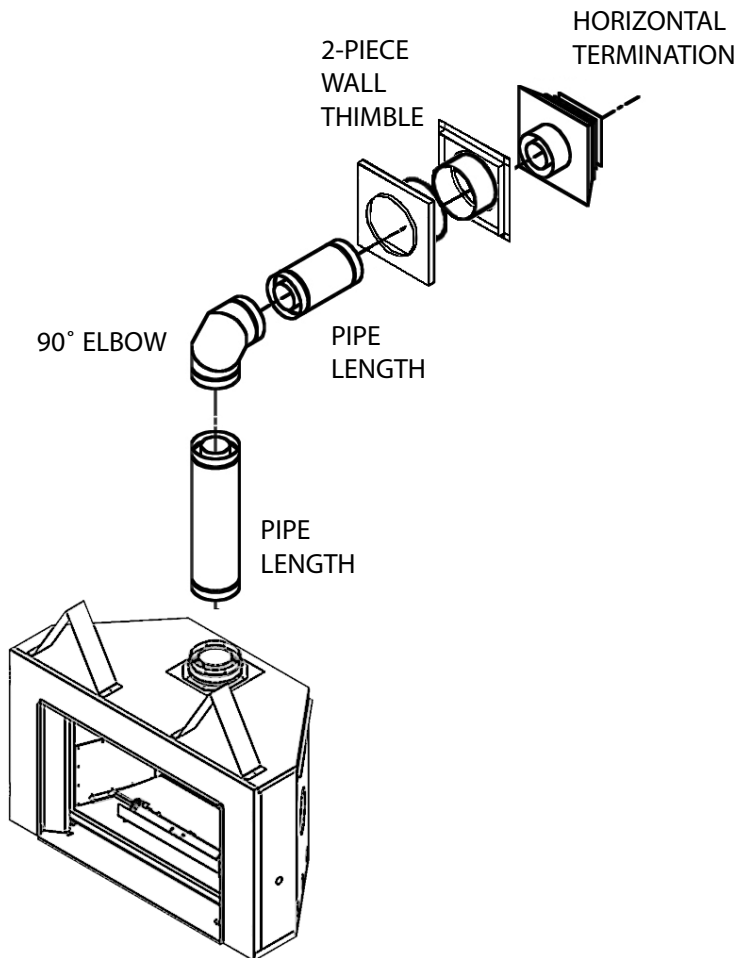
Important Installer Notice – Weather Sealing & Vapor Barriers

It is the installer's responsibility to ensure that vent installations through exterior walls are caulked and weatherproofed in such a manner as to:

- Prevent rain water from entering the wall from the weather side by adequately caulking the outer vent plate to the exterior wall surface.
- Prevent moisture inside the home from penetrating into the wall structure by ensuring the inside wall plate is adequately sealed to the inside vapor barrier.
- Prevent rain water and moisture from entering the walls by sealing the joints between the outer vent tube and the inner and outer wall plates.

We recommend the use of a high quality polyurethane sealant.

Typical Co-axial Venting Components



Co-Axial Venting

How to Read the Venting Chart

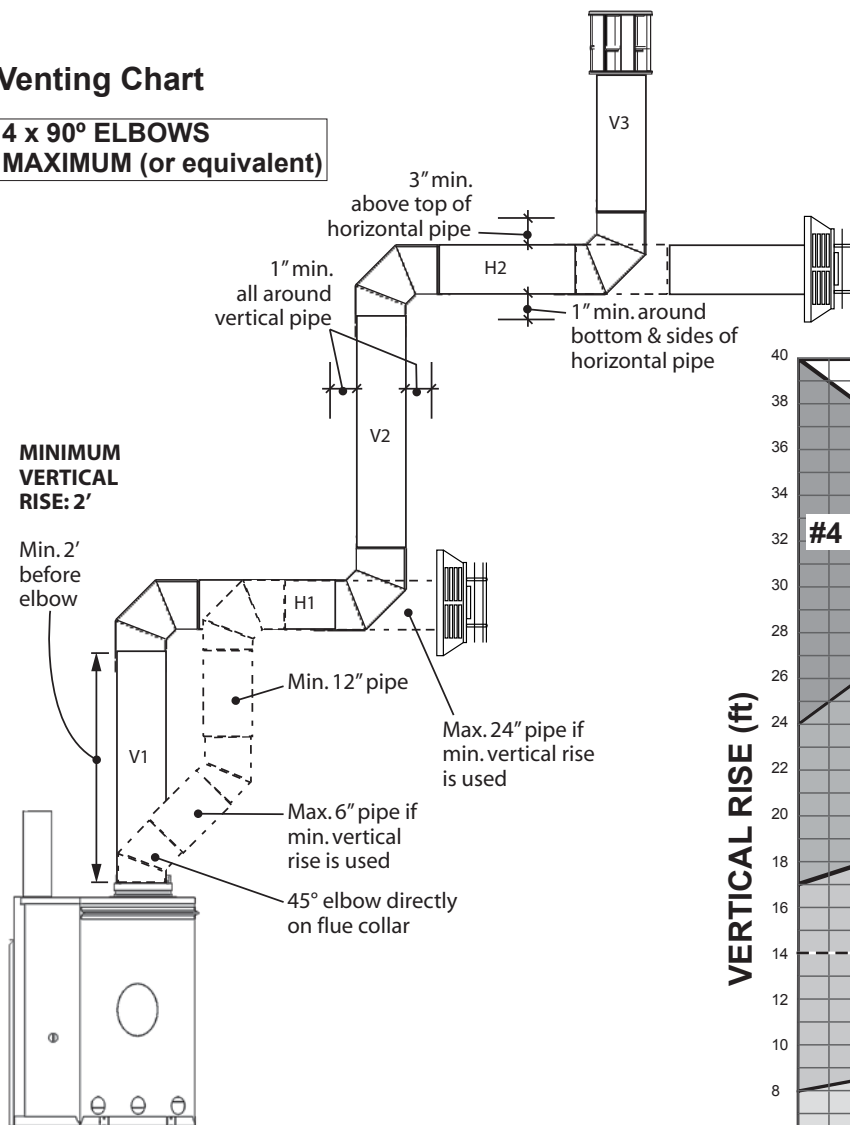
The chart below applies to co-axial roof or wall termination.

1. The total length of the vent pipe cannot exceed 40 feet.
2. The minimum vertical height with roof termination is 6 feet.
3. Any combination of rise and run can be used as long as they are within the allowable limits shown on the chart below.
4. A maximum of 4 x 90 degrees elbows—or equivalent (2 x 45 degrees = 90 degrees)—can be used.

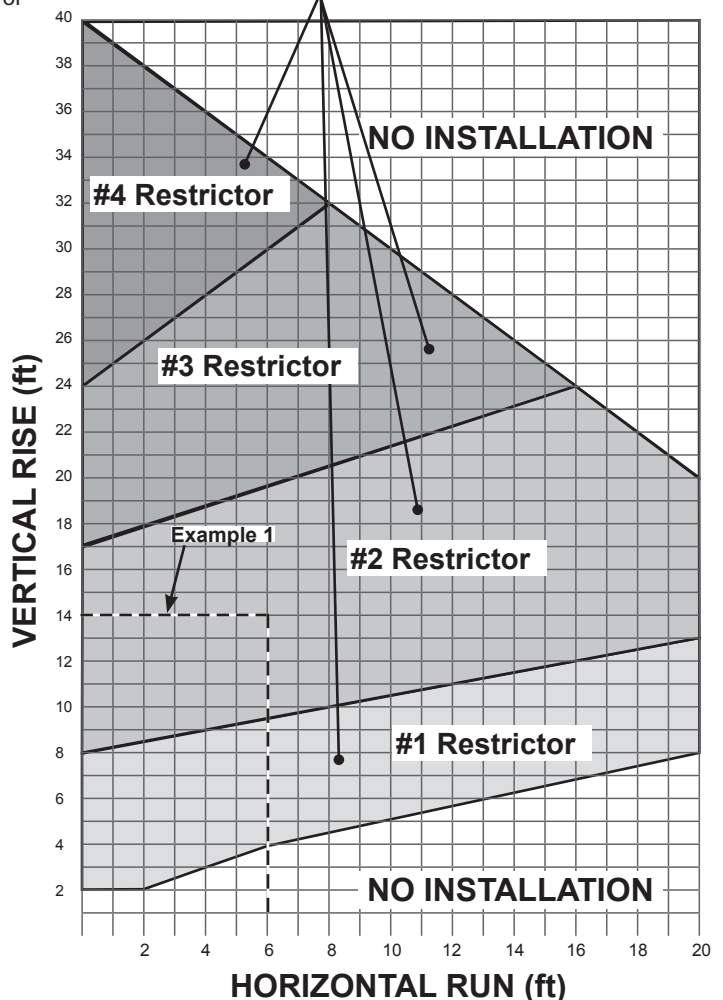
5. Each 90 degrees elbow installed on the horizontal plane is equivalent to a 3 feet horizontal pipe; therefore, 3 feet must be subtracted from allowable horizontal run. (45 degrees elbow is equivalent to 18 inches horizontal pipe.)
6. All horizontal pipe runs must be graded 1/4 inch per foot upwards in the direction of the exhaust flow. The final pipe length, when terminating through the wall may be graded downwards slightly to prevent water migration.
7. A restrictor is required for all installations—see next section.

Venting Chart

**4 x 90° ELBOWS
MAXIMUM (or equivalent)**



Allowable Co-Axial Vent Configurations



Example 1

$$V \text{ Value} = V1 (6') + V2 (6') + V3 (2') = 14'$$

$$H \text{ Value} = H1 (3') + H2 (3') = 6'$$

#2 Restrictor position required

Co-Axial Venting

Restrictor

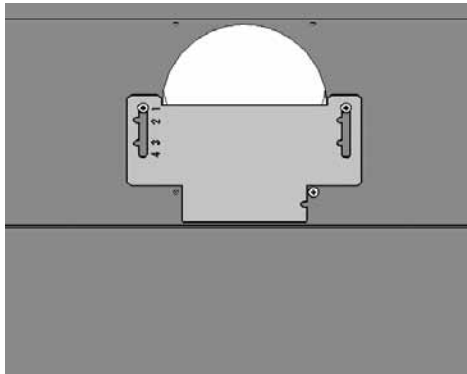
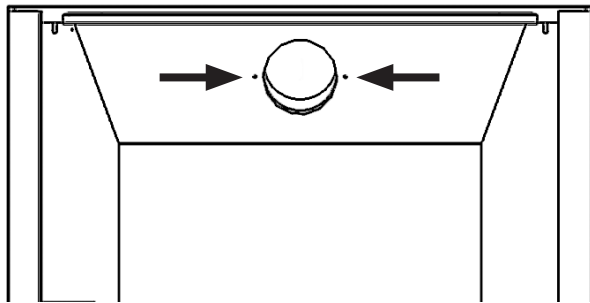
ALL INSTALLATIONS REQUIRE A RESTRICTOR for improved flame picture and performance. This unit is supplied with a pre-fitted restrictor having four different positions or settings. The level of restriction required depends on the vertical rise in the venting system and, to a lesser degree, the horizontal run and number of elbows.

The amount of restriction is based on laboratory tests. The ideal restrictor position may vary slightly, especially when the vent pipe length is near the limits of the acceptable configurations for each type of restrictor.

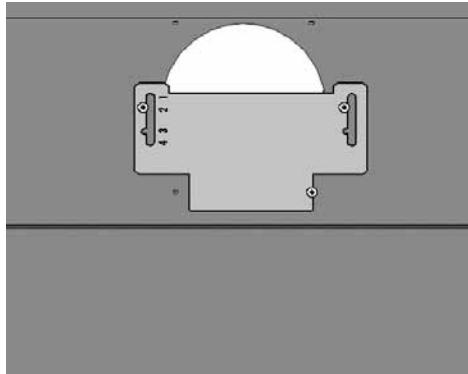
The chart on the previous page shows the vent restrictor required relative to the length of the vent pipe.

To set the restrictor position:

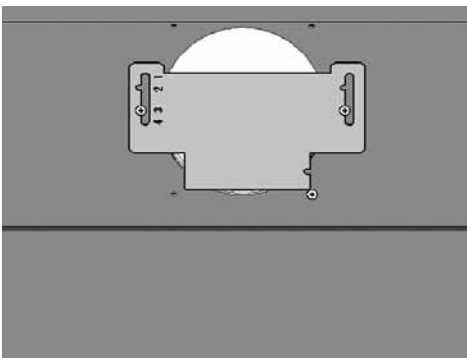
1. Establish the required position of the restrictor looking up the venting table on the previous page.
2. Release the screws (2) on each side of the restrictor already installed.
3. Slide the restrictor in the required position.
4. Tighten the screws.



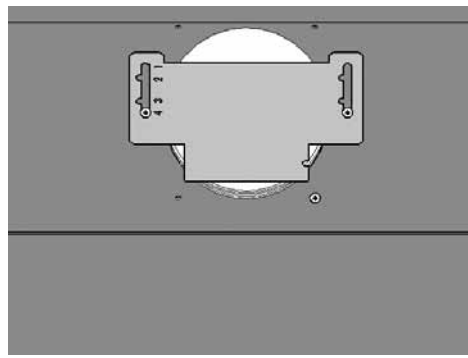
Position #1



Position #2



Position #3



Position #4

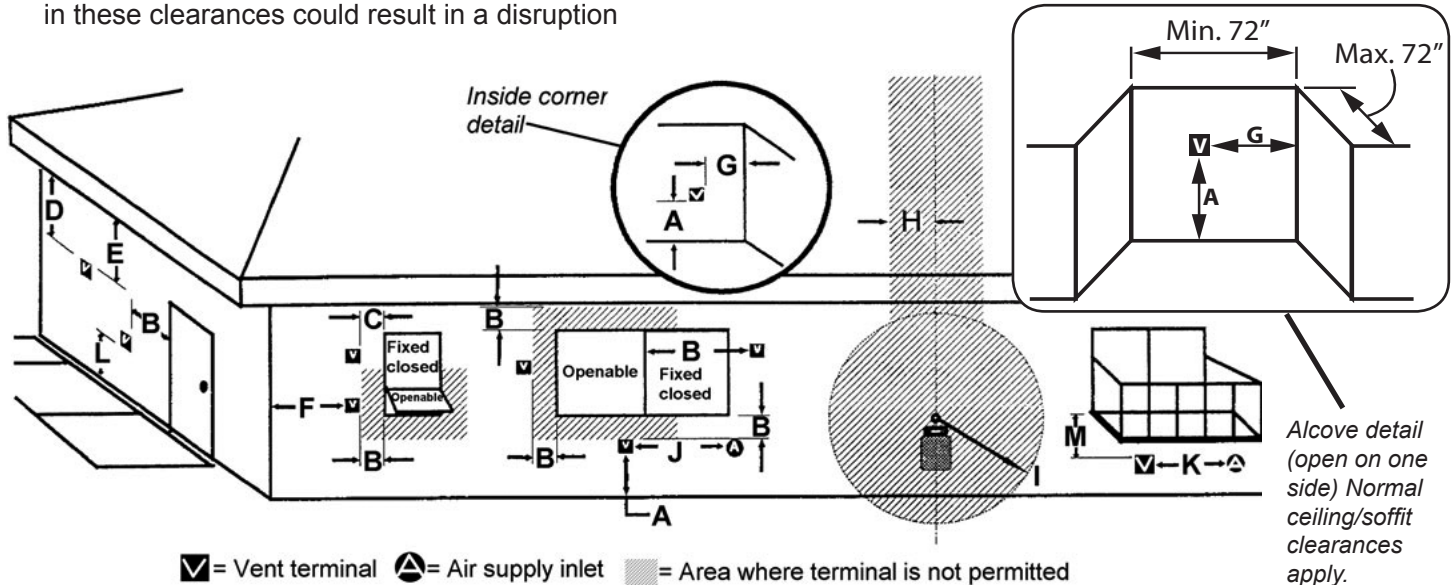
Co-Axial Venting

Vent Termination

- The vent terminal must be located on an outside wall or through the roof.
- This direct vent appliance is designed to operate when an undisturbed airflow hits the outside vent terminal from any direction.
- The minimum clearances from this terminal that must be maintained when located on an outside wall are shown in the figure below. Any reduction in these clearances could result in a disruption

of the airflow or a safety hazard. Local codes or regulations may require greater clearances.

- The vent terminal must not be recessed into a wall or siding.
- The vent terminal should be positioned where it will not be covered by snowdrifts.
- Sidewall vent terminations within 7' of grade require a terminal guard.



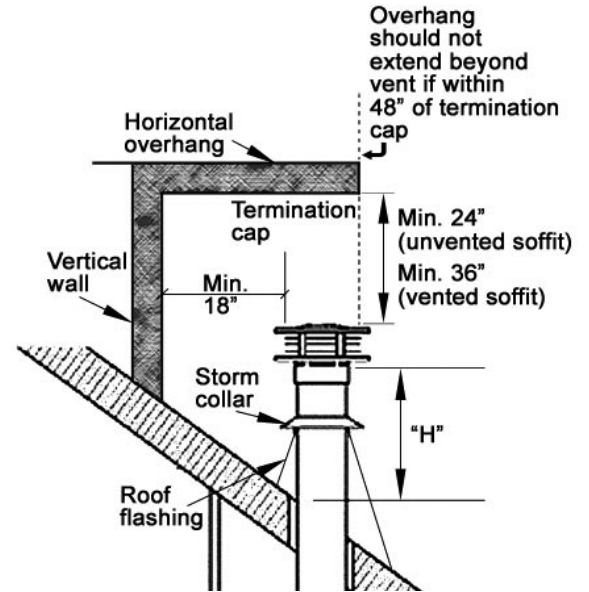
KEY	VENT TERMINAL LOCATIONS - MINIMUM DISTANCES	MINIMUM CLEARANCE	
		Inches	Cm
A	Clearance above grade, verandah, porch, deck or balcony	12	30
B	Clearance to window or door that may be opened	12	30
C	Clearance to permanently closed window (recommended to prevent condensation on window)	12	30
D	Vertical clearance to ventilated soffit located above the terminal within a horizontal distance of 2 feet (60 cm) from the center-line of the terminal	18	46
E	Clearance to unventilated soffit	12	30
F	Clearance to outside corner	12	30
G	Clearance to inside corner	12	30
H	Horizontal clearance to center-line of meter/regulator assembly located within 15 feet (4,6 m) below the terminal	36	90
I	Clearance to service regulator vent outlet	36	90
J	Clearance to non-mechanical air supply inlet to the building or the combustion air inlet to any other appliance	12	30
K	Clearance to a mechanical air supply inlet	72	180
L	Clearance above paved sidewalk or a paved driveway located on public property Note: A vent must not terminate directly above a sidewalk or paved driveway, which is located between two single-family dwellings and serves both dwellings	84	210
M	Clearance under a verandah, porch, deck or balcony <i>Only permitted if veranda, porch, deck or balcony is fully open on a minimum of 2 sides beneath the floor</i>	12	30

Note: Local codes and regulations may require different clearances.

Co-Axial Venting

Vertical Vent Termination

Roof Pitch	Minimum "H" (feet)
Flat to 7/12	1'
Over 7/12 to 8/12	1.5'
Over 8/12 to 9/12	2'
Over 9/12 to 10/12	2.5'
Over 10/12 to 11/12	3.25'
Over 11/12 to 12/12	4'
Over 12/12 to 14/12	5'



Co-Linear Venting

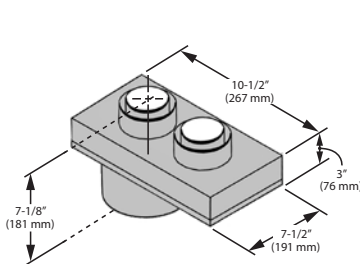
Conversion to Co-Linear Liners using generic Co-Linear Adapters

Co-linear portion of vent system may only be installed within a solid-fuel burning fireplace and chimney. The appliance must not be connected to a chimney flue serving a separate solid-fuel burning appliance.

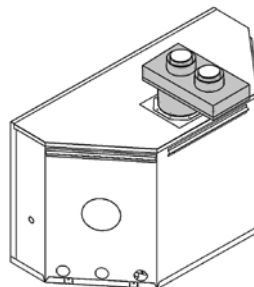
Requires a Co-Axial to Co-Linear appliance Adapter, two lengths of 2-ply 3" dia. flexible chimney liner approved for venting gas appliances, a co-linear termination kit and flashing or a co-linear to co-axial adapter and either a high wind vertical vent terminal cap or a low profile vertical termination. *Firebox top zero clearance stand-offs supplied with the heater are not required for this application.*

Rules for Co-Linear Venting

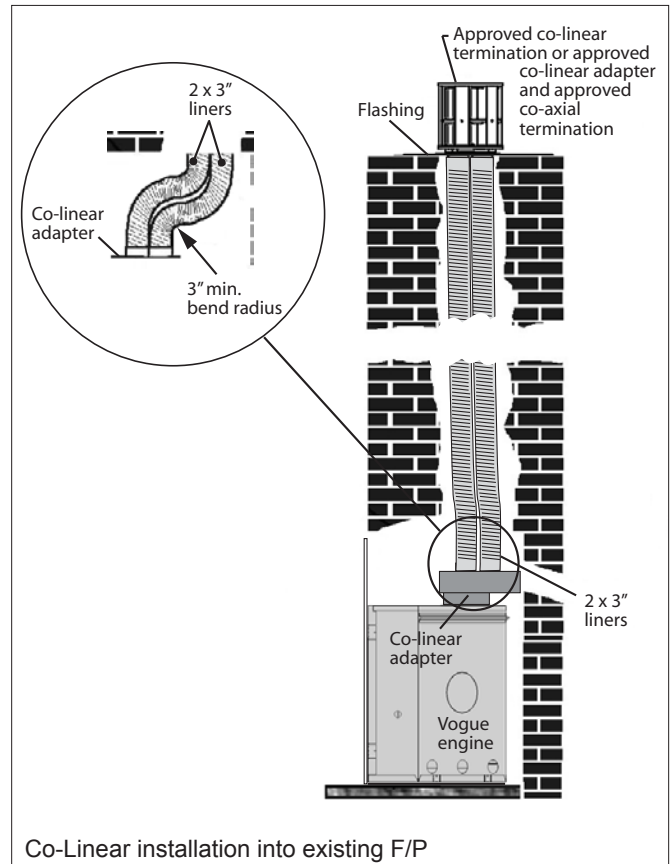
- Maximum 40 feet vertical pipe
- Minimum 10 feet vertical
- Maximum offset 8 feet with liners at minimum 45 degrees from horizontal plane
- Restrictor: Use #4 position for all co-linear installations—refer to page 17 for restrictor positioning.



Dura-Vent #46DVA-GCL
Co-Axial to Co-Linear Adapter



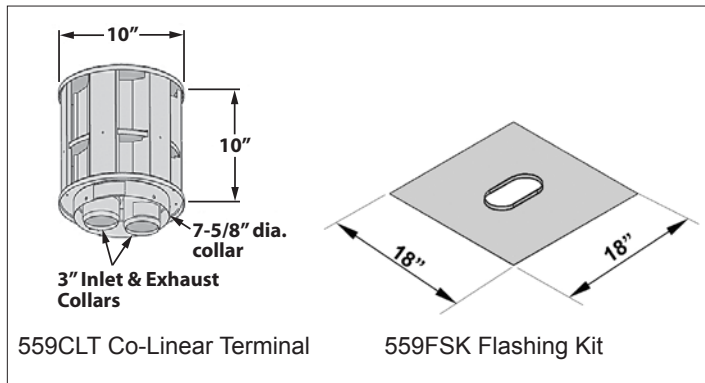
Vogue with co-linear adapter



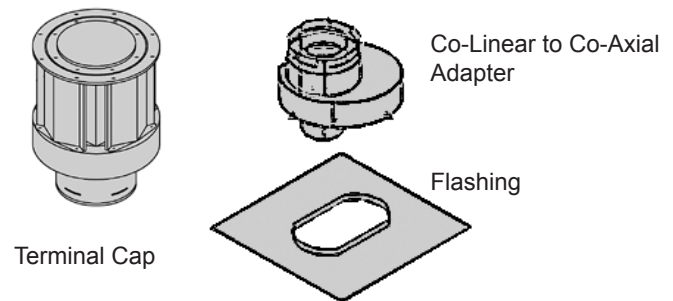
Co-Linear installation into existing F/P

Co-Linear Venting

Co-linear terminal configurations



Alternate to 559CLT/559FSK Conversion



Installation Planning

Installer—READ THIS FIRST

1. YOU NEED TO KNOW FROM THE HOMEOWNER:

- The height of the floor or hearth finish;
- The thickness and type of the wall finish around the firebox opening;
- What accessories (trim, decorative lighting, remote control wall switch, etc.) will be installed with this fireplace;
- The venting configuration.

2. Unpack the appliance.
3. Check that you have everything.
4. Finish framing.
5. If you are using the 1376CSK Clean Surround Installation Kit, install it now.
6. Fit appliance into framing.
7. Fix the appliance to the floor.
8. Install venting system.
9. Position restrictor.
10. Connect and test gas supply.
11. Install ceramic liners and logs.
12. Refit window.
13. Connect electrical wiring for optional decorative light if used.
14. Install optional wall switch if required.
15. Put batteries in receiver and remote control handset.

16. Initialize the remote control system.
17. Verify operation and adjust aeration settings.
18. Install the remote control handset wall holder.
19. Instruct the homeowner on the operation and maintenance of the fireplace.
20. Install the Trim Kit if required.
21. Finish the wall around the fireplace.

Tools and supplies required

- Packing knife
- Claw hammer
- Screwdriver set
- Metric socket set
- Pliers
- Adjustable Wrench
- Sealant
- Dish soap/water solution
- Gloves
- Eye Protection
- Electrical outlet box, wire, wire clamp and switch if installing optional decorative light

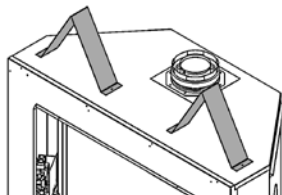
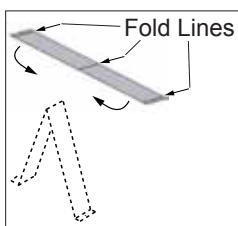
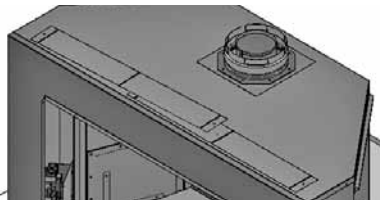
Appliance Preparation

Unpacking the appliance

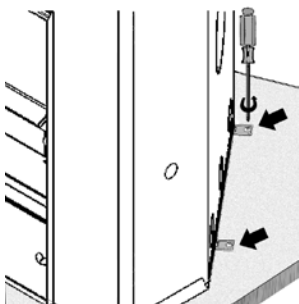
To assist you, we have included the cement that may be required in the installation. The boards may need to be removed and reinstalled. One of the boards is fixed temporarily to the back of the appliance for transportation purpose. When disassembling the crate into which the appliance is located, be careful not to damage this board.

Beware of sharp edges! Wear gloves!

1. Remove the cardboard wrapping and the wood pallet from the appliance and discard.
2. Remove the cement board from the rear of the appliance and *set aside with screws* for future use.
3. Unpack any loose items from around the appliance.
4. Remove the window and set aside in a safe place to avoid damage—see next page.
5. **Verify that you have all the components required for the installation, including:**
 - *liners and rocks (in separate carton);*
 - *trim kit;*
 - *venting components and accessories;*
 - *electrical components if installing optional decorative light wall switch.*
6. The standoffs are supplied flat on the firebox and fixed at one end. Bend them as shown and fix the loose end to the top of the firebox.



7. Remove the 4 screws retaining the engine to its pallet.



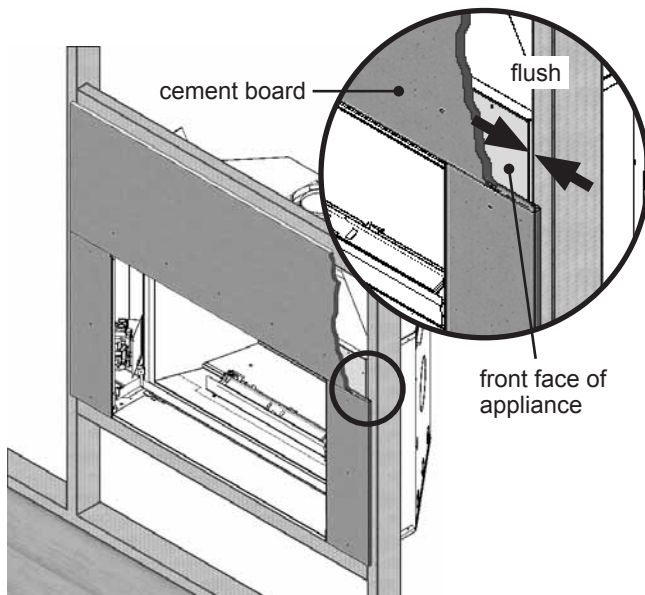
8. Taking great care not to cut your hands on the sheet metal edges, lift the appliance out of its packing base and place in the framing. *Make sure that the unit is at the right height with consideration to the trim and the height of the hearth or combustible flooring.*

Appliance Preparation

Fitting the appliance into framing

Recess the appliance in the framing in accordance with the surround trim that will be used (if any) and the wall finish details. NOTE: There are three options to consider when positioning the appliance in the framing. Options 1 and 2 are for installations utilizing a surround trim. If you are using a surround trim and you want tile, etc., installed behind, you must use Option 2 when positioning the appliance into the framing.

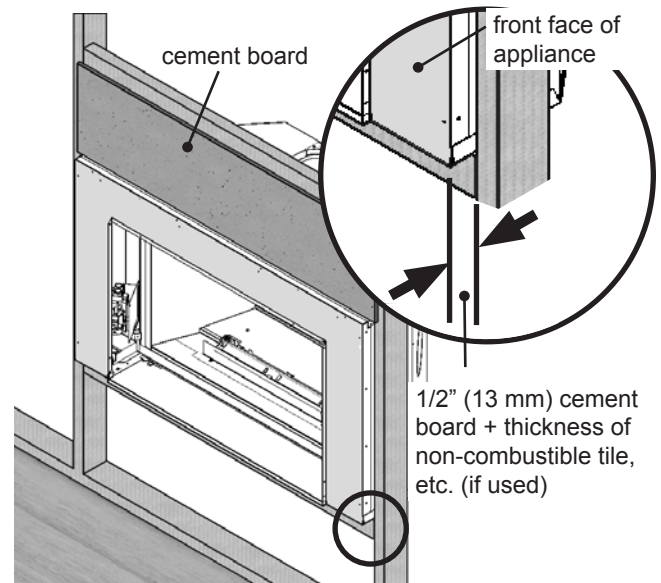
OPTION 1—with 1335 or 1337 Trims (narrow), Appliance FLUSH to Framing



Option 1—with 1335 or 1337, Flush

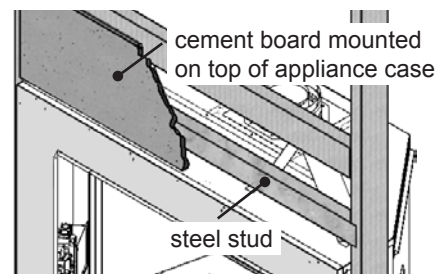
- Sheet metal front face of the appliance is flush with the framing studs.
- Cement board required on top and on each side of the appliance's opening.
- Additional finishes such as tile, etc., can be butted up to or installed overtop of edge of surround trim. There is no space to install tiles behind the 1335 and 1337 trims.
- Incorporate the hearth insulation board (supplied with the 3-sided surround plate 1335) in the construction of the hearth as required, following the guidelines provided in the *Framing & Hearth Requirements* section of this manual.

OPTION 2—with 1365 or 1370 Trims (wide), Appliance PROTRUDING from Framing



Option 2—with 1365 or 1370, Protruding

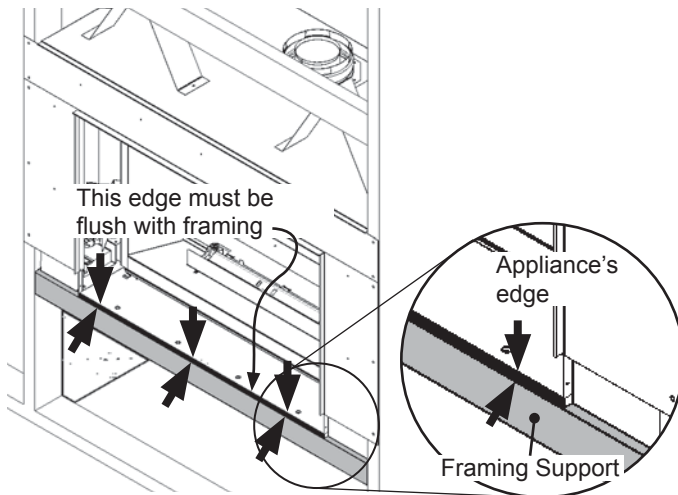
- Sheet metal front face of the appliance protrudes in front of the framing studs by 1/2" (13 mm) plus thickness of any non-combustible material over top, such as tiles.
- Cement board side pieces are not required for this option. Top cement board piece may be cut as necessary to span from top surface of appliance to the header above. A steel stud (not supplied) may be added to support the lower edge of the board if necessary.



- Drywall install up to sides of appliance.
- Surround can be installed flat against or floating from the finished wall surface.

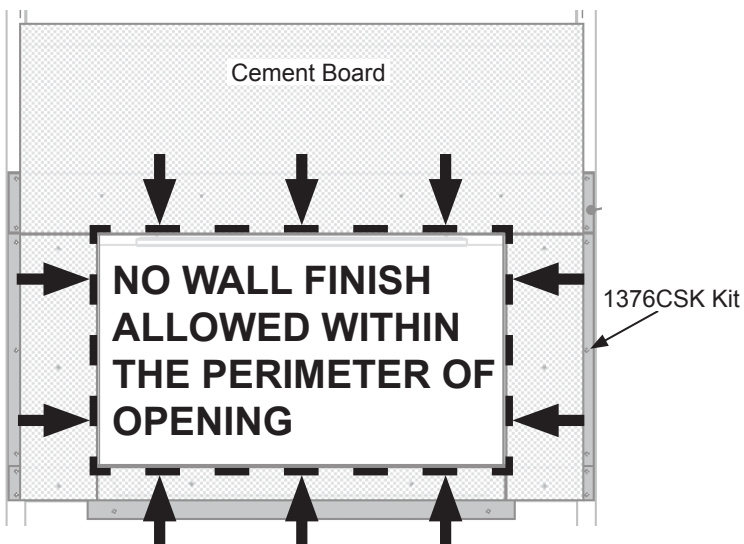
Appliance Preparation

OPTION 3—No Trim (1376 Kit), Appliance RECESSED into Framing



Option 3—with 1376, Recessed

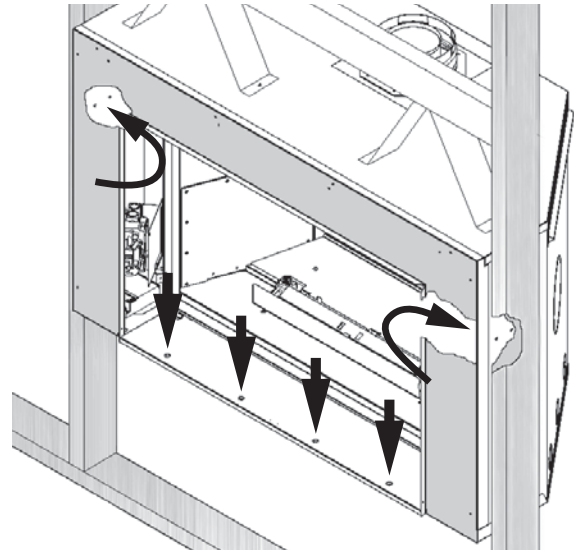
- Follow installation instructions provided with 1376CSK Clean Surround Installation Kit.
- Appliance recessed 1/2 inch (13 mm) into framing so that its bottom front panel edge is flush with the framing. **Follow installation instructions supplied with 1376CSK Kit.**
- Cement board required on top, on each side, and on the bottom of the appliance's opening for this option. (Bottom piece supplied with 1376CSK Kit).



- Drywall (or combustible material) installs up to outside perimeter of cement board.
- Tile (or non-combustible material) may be installed overtop of cement board up to the appliance's opening.

Fixing the appliance to the framing

1. Screw the appliance to the floor or wood surface with 4 countersunk wood or cement screws (not provided).

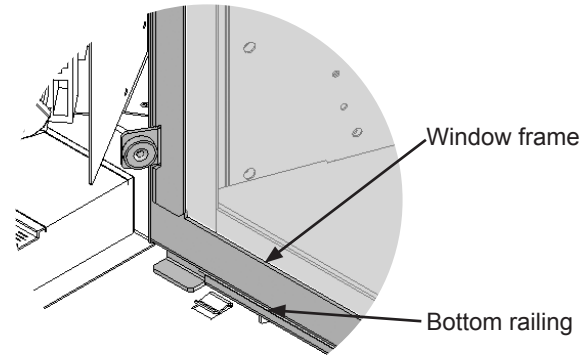


2. Screw the appliance to the side studs from the inside of the appliance case behind the side doors—1 screw each side.
NOTE: Fasteners may be adjusted later after the wall finish is completed and the trim or surround (if any) is applied.

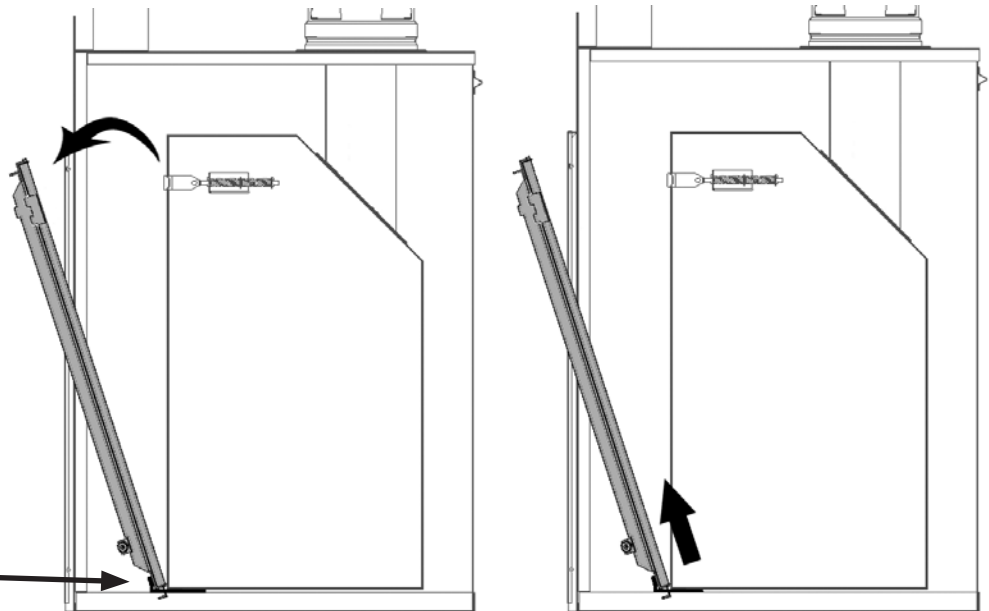
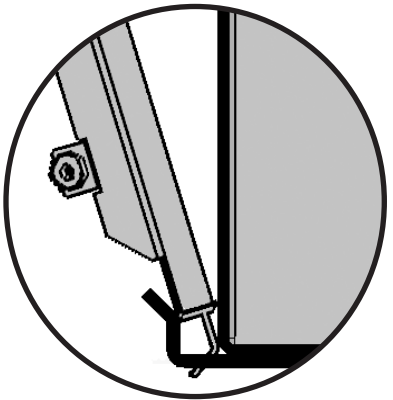
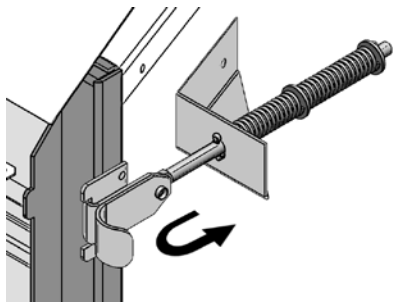
Window Removal

The window is held in place by a spring-loaded lever on each side.

1. To remove the window, locate the levers on each side of the window towards the top. Using your finger, pull the lever towards you and unhook it from the window frame bracket.
2. Gently pull the top of the window outward.
3. Lift the window out of its bottom railing and set it aside in a safe place to avoid damage.

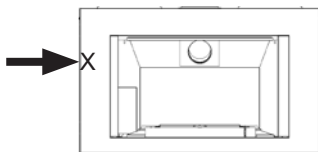


Section Views



Supply Gas Installation

The gas supply inlet connection is a 3/8" NPT male connector and is located on the left hand side of the firebox.



Use only new black iron or steel pipes or copper tubing if acceptable—check local codes. Note that in USA, copper tubing must be internally tinned for protection against sulfur compounds.

Unions in gas lines should be of ground joint type.

The gas supply line must be sized and installed to provide a supply of gas sufficient to meet the maximum demand of the appliance without undue loss of pressure.

Sealant used must be resistant to the action of all gas constituents including LP gas. Sealant should be applied lightly to male threads to ensure excess sealant does not enter gas lines.

Supply Gas Installation

The unit is supplied with a stainless steel flex line to allow the appliance to be disconnected for service. The flex line is supplied loose to avoid damage during shipping. Connect the flex to the appliance valve as shown below. An individual shut-off valve (not supplied) is required on the supply line ahead of the flex connector.

Pressure test the supply line for leaks.

The appliance and its individual shut-off valve must be disconnected from the gas supply piping system during any pressure testing of that system at test pressures in excess of 1/2 psig (3.5 kPa).

The appliance must be isolated from the gas supply piping system by closing its individual manual shut-off valve during any pressure testing of the gas supply piping system at test pressures equal to or less than 1/2 psig (3.5 kPa).

Failure to either disconnect or isolate the appliance during pressure testing may result in regulator or valve damages and void the warranty. Consult your dealer in case of damages.

Pressure Test Points

The minimum supply pressure is given in the section *Specifications* of this manual—page 7.

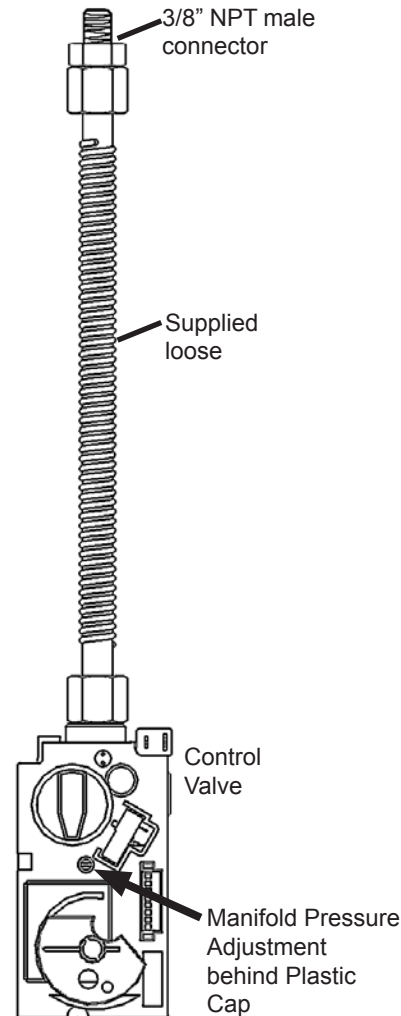
All piping and connections must be tested for leaks after installation or servicing. All leaks must be corrected immediately.

When testing for leaks:

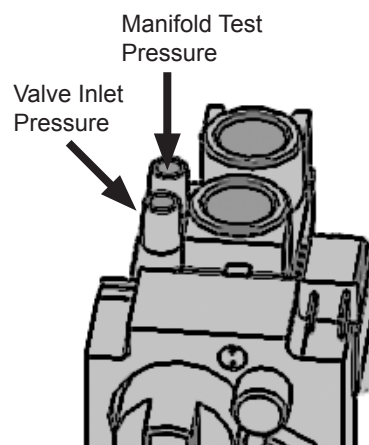
- Make sure that the appliance is turned off.
- Open the manual shut-off valve.
- Test for leaks by applying a liquid detergent or soap solution to all joints. Bubbles forming indicate a gas leak.

**Never use an open flame to check for leaks.
Correct any leak detected immediately.**

The pressure test tapping locations are shown in the figures above. An internal regulator within the valve controls the burner manifold pressure. The correct pressure range is shown in the table in section *Specifications* of this manual on page 7. The pressure check should be made with the burner alight and at its highest setting. See *Lighting Instructions* section for full operating details on page 39.



Valve Assembly

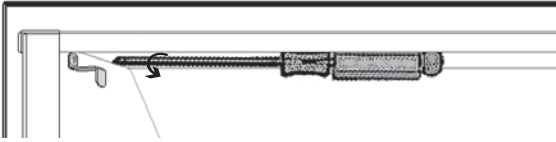


Pressure Testing

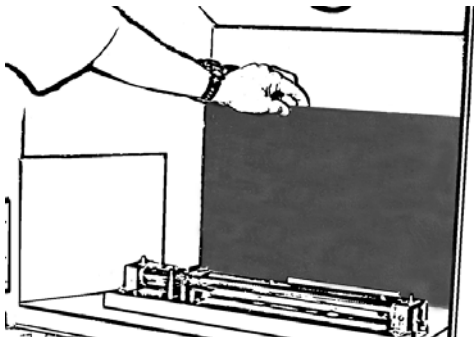
Ceramic Liners Installation

The following guidelines apply to all liners.

1. Inside the firebox, on the top of each side, release the screw of the side brick anchors (one per side).



2. Place the rear panel against the back of the firebox, behind the retainer at bottom.

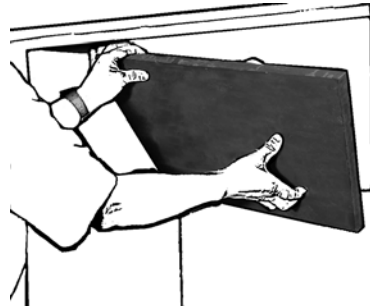


3. Hold the left hand side panel at an angle and insert it totally inside the firebox, **behind the top outer edge of the firebox**. This will greatly facilitate the installation. Slide the bottom first and then the top against the side of the firebox. Rotate the side brick anchor to hold the panel in place.

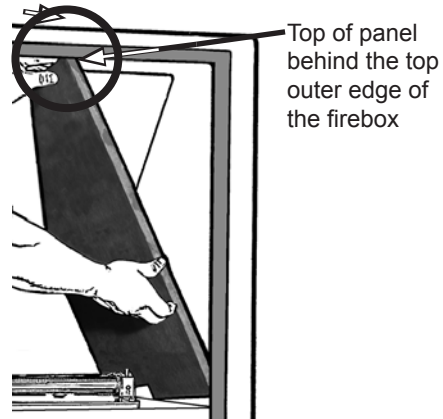


Top of panel behind the top outer edge of the firebox

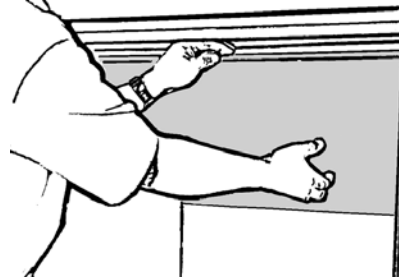
4. Place the top panel over the top edge of the rear and side panels. Leave the panel to balance there until right hand side panel is installed.



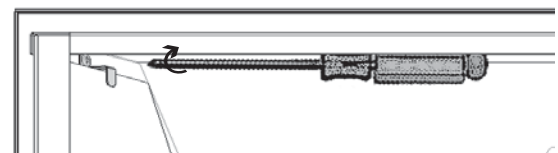
5. Hold the right hand side panel at an angle and insert it totally inside the firebox, **behind the top outer edge of the firebox**. This will greatly facilitate the installation. Slide the bottom first and then the top against the side of the firebox. You may have to lift the top panel slightly to avoid scratching it. Rotate the side brick anchor to hold the panel in place.



6. Make any adjustment by moving the rear top panel slightly.



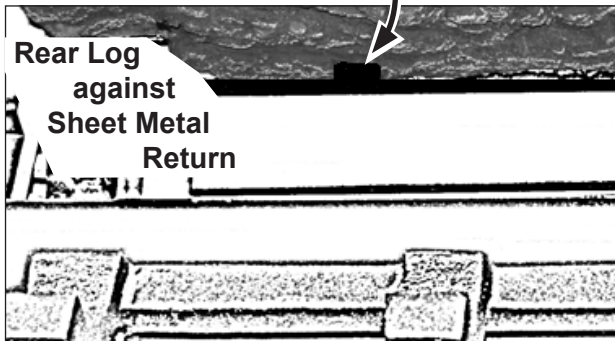
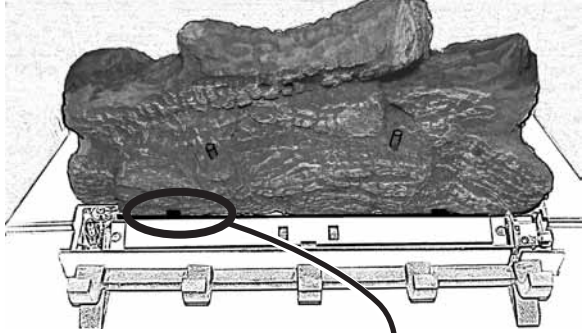
7. Tighten the side brick anchors on each side of the firebox.



Fuel Bed Installation

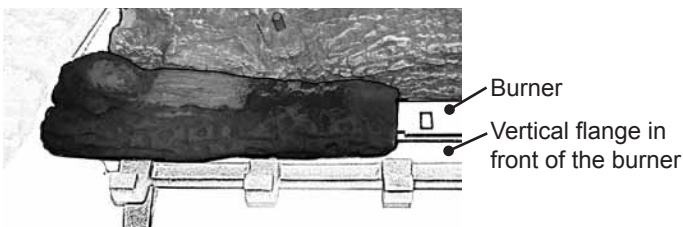
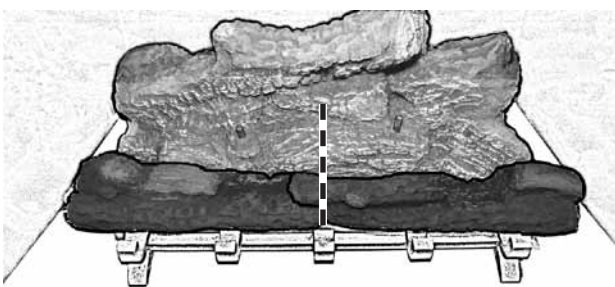
Please note that the position of the logs is critical to insure proper performance of the appliance.

1. Place the rear log centering it side to side in the firebox. Position forward until it sits against the sheet metal return behind the burner.

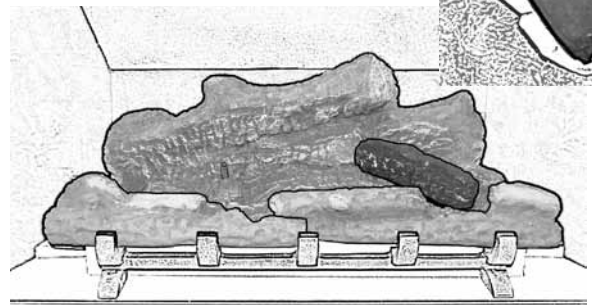


2. Place the front left log on top of the burner with its front edge resting on the vertical flange in front of the burner.
3. Place the front right log on the top of the burner with its left end abutted to the front left log and its front edge resting on the vertical flange in front of the burner.

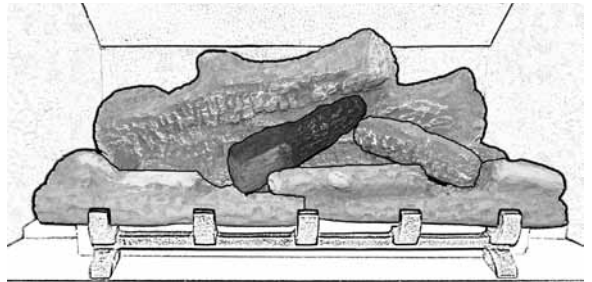
Center the front logs side to side in relation to the firebox. The seams of the two front logs align with the middle peg of the cast grate.



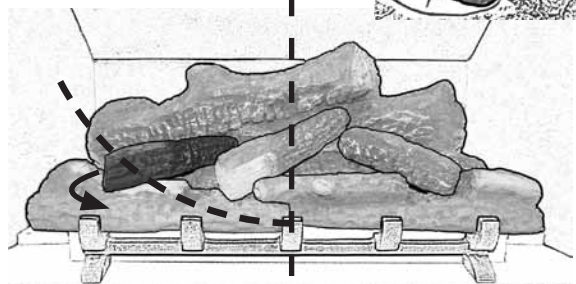
4. Identify the right cross log; it has a hole under one of its ends and it is the shortest cross log. Place it on the right pin located on the rear log. Rest its other end in the crook of the front right log.



5. Identify the middle cross log. It does not have a hole underneath. Place its narrow end on the flat depression in the rear log next to the right cross log. Place its wider end on the front log.

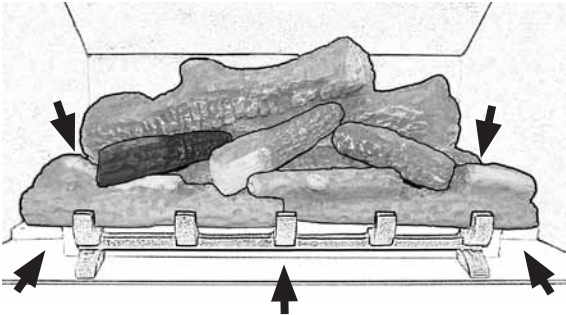


6. Identify the left cross log; it has a hole under its narrow end. Place its narrow end on the pin located on the rear log. Rest its wider end on the crook in the front left log at an angle of approximately 30 degrees from the center line of the fireplace to allow for the flame to come up in front of the rear log.



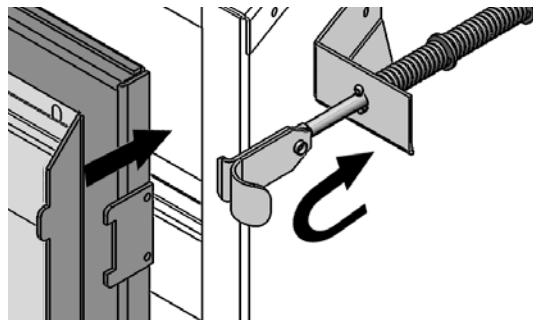
Fuel Bed Installation

Optional. Two bags of loose coals are included with the appliance. If desired, the coals can be distributed on the bottom of the firebox on each side of the log set and in front of the cast grate.

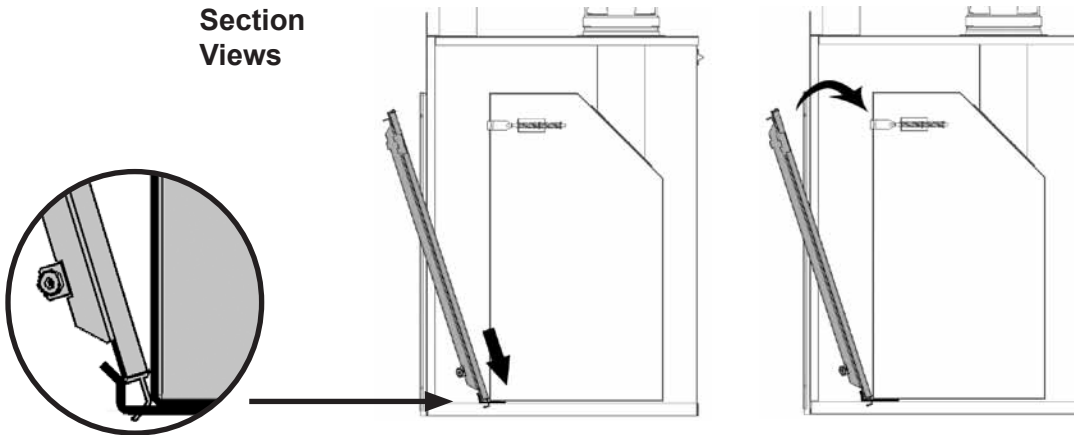


Window Refitting

1. To refit the window, place it in its bottom railing and push its top against the firebox.
2. While you hold it, pull the side levers back into the window brackets on each side.
3. Pull out the top of the window and release it to insure the springs return it.
4. Apply light hand pressure against the window frame sides to bed-in the window seal.




Section Views

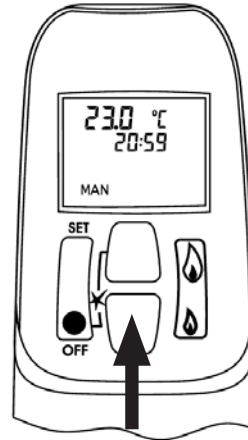
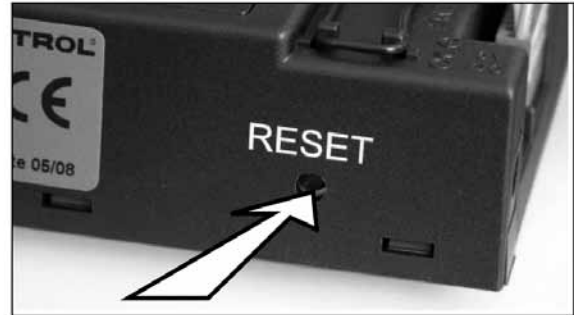


Remote Control Initial Set-up

The receiver and the handset of the remote control system must be initially synchronized before the first use.

1. Insert alkaline batteries in the remote control receiver and handset. The receiver is located left of the firebox.
2. With a sharp object, press and hold the receiver's reset button until you hear one short and one long beep. Release the reset button after the second beep.
3. Within the subsequent 20 seconds, press the small flame button () on the remote handset until you hear two short beeps confirming the synchronization is set.

This is a one time setting only and is not required when changing the batteries in the remote receiver. The remote control system is now ready to use.



Operation Check & Aeration Settings Adjustment

Operation Check

Turn the fireplace flame up and down using the remote control to confirm that the full range of inputs is achieved—see the remote control operation instructions on pages 35–38.

Aeration Settings

Light the fire and allow the unit to warm up for 10–15 minutes to evaluate the flame picture. Burners are equipped with an adjustable shutter to control primary aeration. See the figures below. The shutter is factory-set to an aeration gap which will give optimum performance for the vast majority of installations.

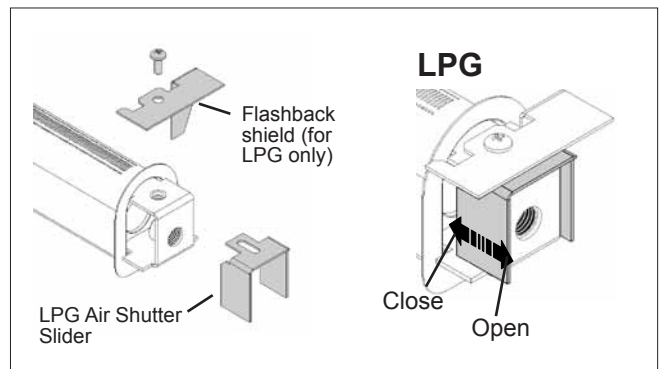
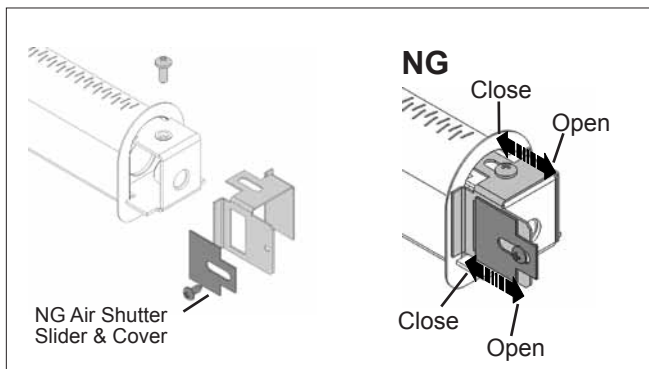
In a few unusual installations, the flame picture may be improved by adjusting the aeration. The need for adjustment should be determined only by operating the appliance with the ceramic rocks and window installed.

Increasing aeration will cause the flames to appear more transparent and blue showing more ceramic rock glow.

Decreasing aeration will cause the flames to appear more yellow or orange showing less ceramic rock glow.

Too little aeration may result in black carbon forming and dropping into the firebox.

Air Shutter

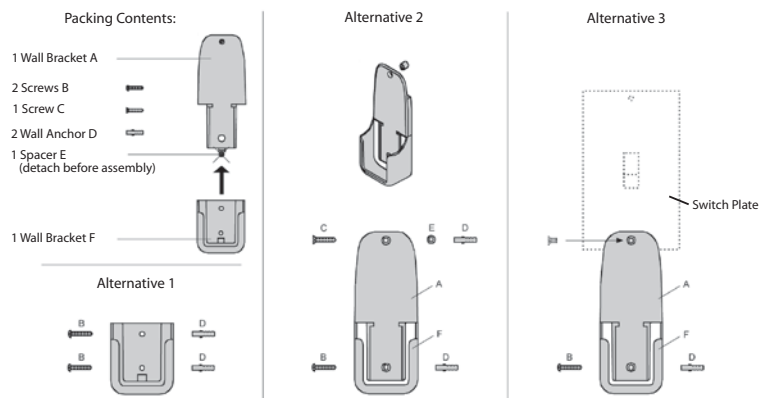


Remote Control Handset Wall Holder Installation

The remote control kit for this fireplace comes complete with a wall-mounted holder. This holder is not required in all installations but is provided as an optional feature for those customers who wish to mount the remote handset to the wall.

To install the holder to the wall, find a convenient location and use the hardware provided with the kit. See the diagram below for required hardware and configurations. Note that the holder can be installed at the base of a light switch plate.

IMPORTANT. The location of the remote control handset is important to assure proper temperature regulation. To obtain a constant temperature, we recommend that the handset should be between 3 and 15 feet away from the appliance **but not directly above it**. We also advise that the handset should be located away from any other heat source and not in direct sunlight as this may affect the temperature sensor located in the remote handset.



Owner's Information

CAUTION

Your fireplace becomes very hot when operating. Avoid placing decorating objects sensitive to heat within 36 inches (0.9 m) around it.

Performance of LPG appliances may be affected by the quality of commercial gas supplied in your area.

Warranty Card at the back of this manual.



Read the Safety Information section on page 4 of this manual.

Operating Your Fireplace

For your safety, this appliance is fitted with a flame supervision device which will shut-off the gas supply if, for any reason, the pilot flame goes out. This device incorporates a fixed probe, which senses the heat from the pilot flame. If the probe is cool, the device will prevent any gas flow unless manually lighting the pilot. See full lighting instructions on page 39 of this manual.

Cleaning

WARNING

DO NOT TOUCH THE GLASS WHILE IT IS HOT!
Let the fireplace cool first before cleaning it.

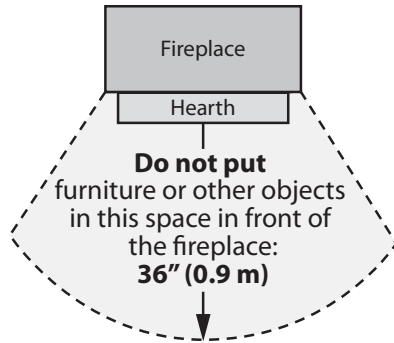
Important - Glass cleaning - Mineral deposits

One of the by-products of the combustion process in a gas appliance is a mineral which can show up as a white film on the ceramic glass of the viewing door.

The composition of the deposit varies widely from various locations and also from time to time in the same location. It seems this is associated with the varying sulfur content of the gas. You may have the problem for a time and then not see it for many months when it will reappear in your area.

We have discussed this problem with ceramic glass manufacturers and they cannot give us a definitive answer to this problem. Dealers have tried various cleaning products with varying results. The following recommendations will not guarantee results in your particular case.

NOTE: This is a problem beyond Miles Industries' control and is not covered under warranty.



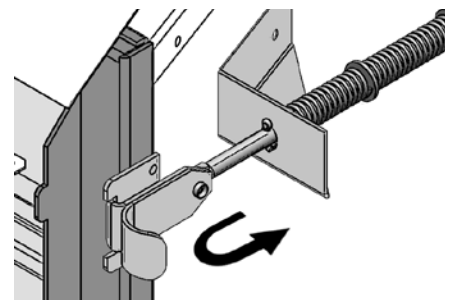
- Clean the glass regularly as soon as you notice the buildup (white film). If the film is left for a longer period of time, it will bake on. It is then much harder, if not impossible, to remove.
- **NEVER use an abrasive cleaner on the ceramic glass.** Any abrasion of the surface has the immediate effect of compromising the strength of the glass. An emulsion type cleaner is recommended.
- Use a soft damp cloth to apply the cleaner. Dry the glass with a soft, dry, preferably cotton cloth. Most paper towels and synthetic materials are abrasive to ceramic glass and should be avoided.
- Our dealers have had good results from the products listed below. We cannot, however, guarantee the results of these products.
 - » BRASSO, POLISH PLUS by KELKEM, COOK TOP CLEAN CREME by ELCO, WHITE OFF by RUTLAND, TURTLE WAX

Do not clean the glass while it is hot. Always securely replace the window before lighting. **If broken, the glass pane may only be replaced as a complete window unit as supplied by the manufacturer.**

To remove the window for cleaning:

1. Find the levers on each side of the window towards the top. Using your finger, pull the levers towards you and unhook them from the window frame brackets.
2. Gently pull the top of the window outward.
3. Lift the window out of its bottom railing and set it aside in a safe place to avoid damage.

Spring Loaded Window Levers



To refit the window:

1. To refit the window, place it in its bottom railing and push its top against the firebox.
2. While you hold it, pull the side levers back into the window brackets on each side.
3. Pull out the top of the window and release it to insure the springs return it.
4. Apply light hand pressure against the window frame sides to bed-in the window seal.

Owner's Information

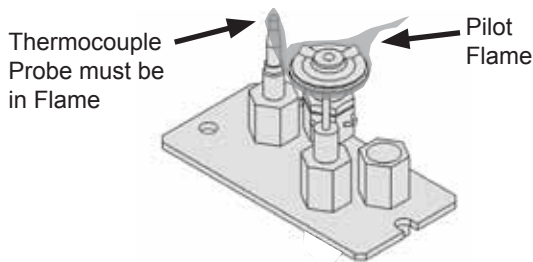
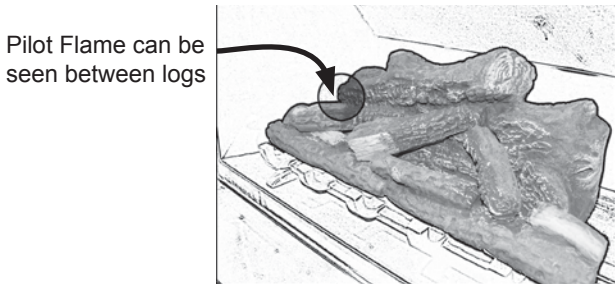
Soot or dust can be brushed from the ceramic logs and firebox walls using a soft brush. Dust can also be removed from the burner using a soft brush after removing the ceramic rocks. When cleaning, make sure that no particles are brushed into the slots of the burner.

Checks

A periodic check of the pilot and burner flames should be made. Check after the fire has been on for at least 30 minutes. The pilot flame must cover the tip of the thermocouple probe. The main burner flame pattern will vary from appliance to appliance depending on the type of installation and climatic conditions.



Correct Flame Picture



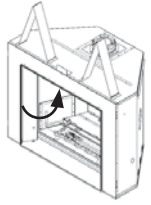
The appliance area must always be kept clear and free from combustible materials, gasoline and other flammable vapors and liquids.

Inspect the vent terminal outdoors regularly to make sure that snow, trees, bushes, leaves, or other objects do not obstruct it.

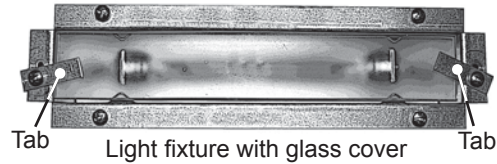
Examine the vent system and terminal regularly. We recommend annually.

Light Bulb Replacement (if installed)

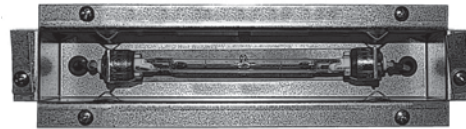
The appliance may be equipped with a decorative light inside the firebox located in front of the window. To replace the light bulb, follow these steps:



1. Turn off the decorative light wall switch.
2. Locate the light fixture. Loosen the screws of the glass cover retaining tabs.



3. While holding the glass cover so it does not fall and shatter, swivel one or both of its retaining tabs to free the glass. Gently remove the glass cover.



4. Remove the light bulb from its socket by pushing towards one end.
5. With a gloved hand, replace with a new light bulb using a 100 watts halogen 130 volts (type J T3, 119 mm long).



100W Halogen Light Bulb (119mm)

6. Test the bulb by turning the wall switch on. Turn the switch off again to complete the operation.
NOTE: If the bulb is new and not functioning, turn off the dimmer switch and call your local electrician for inspection.
7. Put the glass cover back in place and, while holding it, turn the retaining tab(s) to retain the glass.
8. Tighten the tabs' screws.

Owner's Information

Batteries

CAUTION

DO NOT USE a screwdriver or other metallic object to remove the batteries from the receiver or the handset! This could cause a short circuit to the receiver.

CAUTION

To avoid short-circuit to the receiver, position the **antenna** so that it **DOES NOT TOUCH the ignition wire**.

Low battery signal: see page 38.

BEFORE changing the batteries, turn off the valve using the manual On/Off switch—see instructions below.

The appliance uses four 1.5 V AA alkaline batteries for its remote control receiver and one 9 V alkaline battery for its handset. Batteries should last one to two seasons, depending on usage. Removing the batteries in the off-season will extend the battery life. Should the batteries lose power, the control may be operated by manually turning the control knob at the valve or by turning off the valve at the switch.

To replace the batteries in the remote control receiver:

1. Appliance fitted with Four-Sided Trim or no trim:

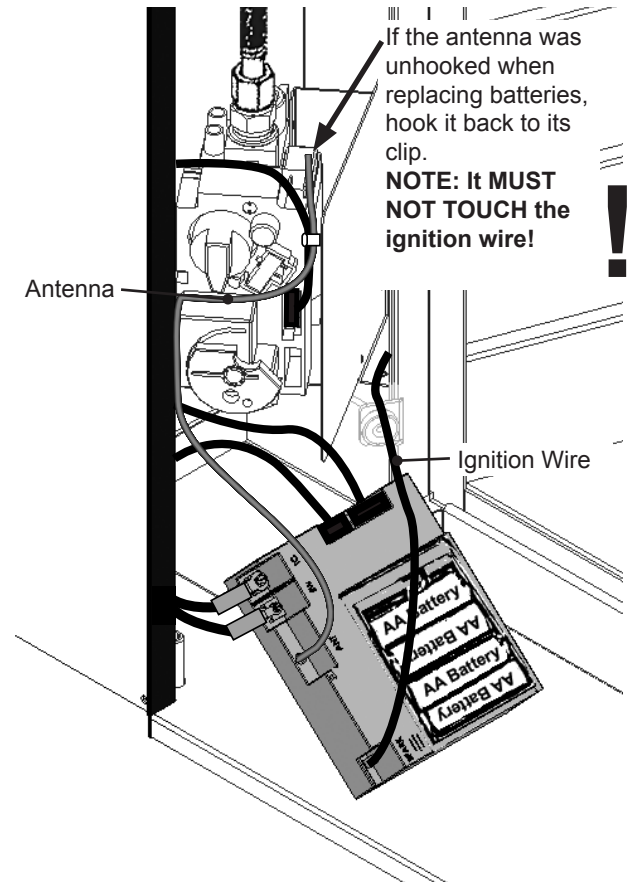
Remove both side access panels, the window, and the plinth.

Appliance fitted with Three-Sided Trim 1335: Open the left side access panel.

2. The receiver is located at the left of the fireplace, under the valve. Pull the receiver out carefully.
3. Slide and remove the receiver cover.
4. Replace the 4 AA batteries.
5. Replace the cover.
6. Put the receiver back on its plate. If it was unhooked, replace the antenna in its clip. **IMPORTANT: The antenna MUST NOT TOUCH the ignition wire to avoid a short-circuit.**
7. Replace the window and plinth if removed, and close the side panel.

Servicing

If any attention is required for your appliance, contact your supplier quoting the model number. It will be helpful if the appliance serial number can also be quoted. This number is on the rating plate, which is located on the firebox left hand side panel behind the valve assembly. Open the left hand side door to see it. The replacement parts are shown at the end of this manual. Please always quote the part number and description when requesting spare parts.



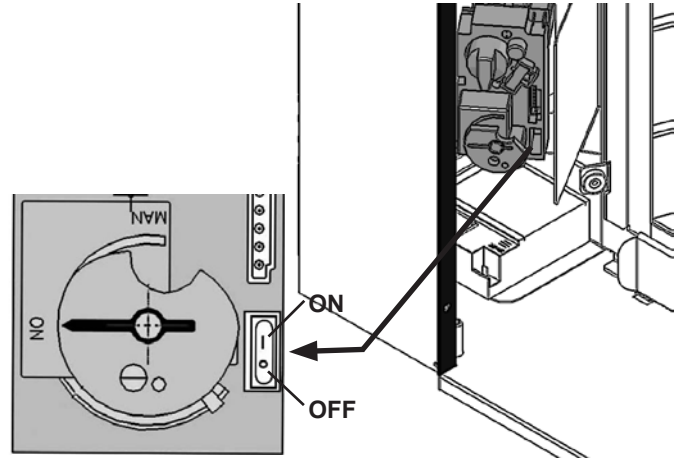
Owner's Information

Manual On/Off Switch

In cases where you want to turn off your fireplace and cannot do it with the remote control handset (misplaced, lost, dead batteries, etc.) or if you need to replace the receiver's batteries, you can turn off the appliance with the manual switch located on the right hand side of the valve.

If the wall switch is installed and the remote control will not be used, remove the battery from the handset and store it away.

If you are planning not to use your fireplace for a prolonged period of time, remove the battery from the remote handset and turn off the gas valve using the manual ON/OFF switch.



Fireplace Control Devices

There are three ways to control your fireplace.

1. Thermostatic Remote Control;
2. Wall Switch;
3. Manual On/Off Switch.

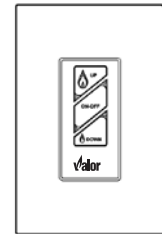
The manual On/Off switch must be ON for the fireplace to function. It can be used to shut off the fireplace in case of emergency—see above.

The Thermostatic Remote Control can be programmed to function automatically—see pages 35–38.

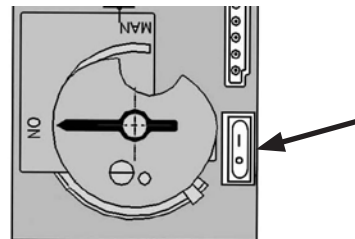
The Wall Switch (optional) can be used to turn on, off and to increase or decrease the flame height—see manual provided with the 1265WSK Wall Switch Kit.



Thermostatic Remote Control



Wall Switch (optional)



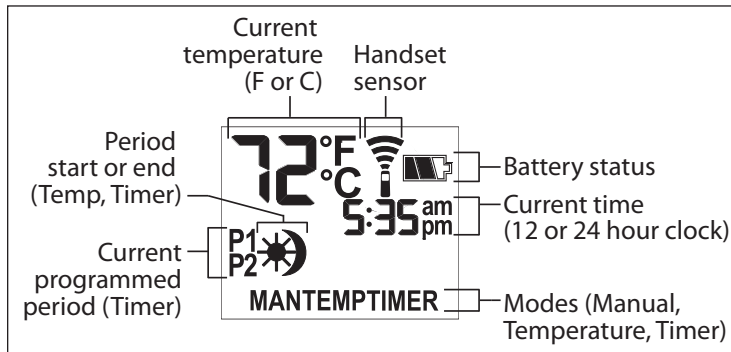
Manual On/Off Switch

Remote Control Operation

NOTE: Before using the remote control system for the first time, the receiver and the handset must be synchronized. See the section *Remote Control Initial Set-up* on page 29 in this manual.

Your fireplace remote control helps you get the comfort, convenience and aesthetics you want from your gas fireplace. The remote controls your fireplace in different ways.

IMPORTANT: BEFORE YOU BEGIN, please note that on this system, the settings of time, temperature and automatic ON/OFF can only be programmed when the function display is flashing. Be patient when programming as it can take a few seconds to set.

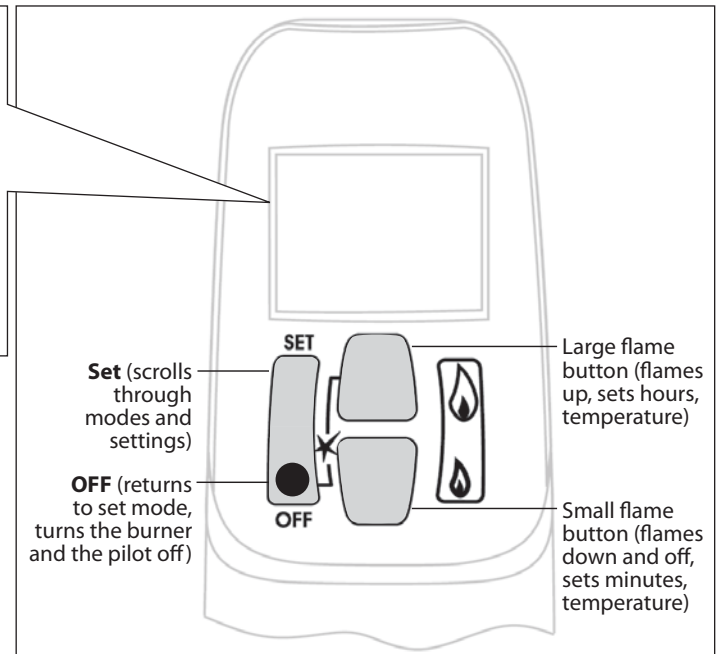


Display Overview

Note: In the TEMP or TIMER modes, the remote handset senses the room temperature and adjusts the flame accordingly.

To communicate, the handset should be within 15 feet (4.5 meters) of the fireplace.

Do not leave the handset on the mantel or hearth.



Handset Overview

Turning your fireplace ON

WARNING: When the pilot is lit, the valve motor turns automatically to maximum flame height.

1. Make sure that the MAN knob on the valve is in ON position.
2. Make sure that the switch on the valve is in the I position.
3. Press and hold the OFF and 🔥 (large flame) buttons until you hear a short acoustic signal. Release the buttons.

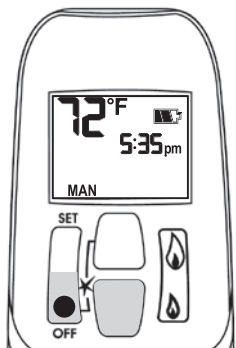
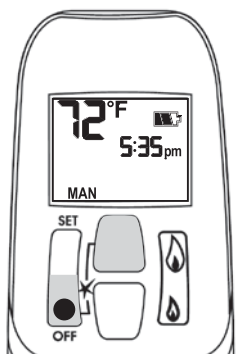
The acoustic signals will continue until the pilot lights. The remote control will go automatically into TEMP mode. The flame will be at maximum height until the remote control reads the temperature (factory set) and will then adjust the flame accordingly.

You can put the remote in MAN manual mode, change the temperature in TEMP mode or program your remote in TIMER mode as indicated in the following sections.

Turning your fireplace OFF

1. Press the 🔥 (small flame) button to reduce the flame to pilot.
2. Press the OFF button to turn the pilot off.

Alternately, you can press the **O** button on the switch if you won't use your fireplace for a long period of time, if you cannot locate your remote control handset or if you wish to change the batteries.



Remote Control Operation

Operation Modes

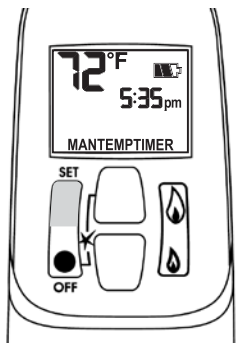
STANDBY MODE—Ignited pilot only.

MAN MAN MODE—Manual Mode. You can use this mode to adjust the flame height up or down.

☀ **TEMP TEMP MODE**—Daytime Temperature Mode (appliance must be in Standby mode; pilot ignited): The room temperature is measured and compared to the set temperature. The flame height is then automatically adjusted to achieve the Daytime set temperature.

☾ **TEMP TEMP MODE**—Nighttime Setback Temperature Mode (appliance must be in Standby mode, pilot ignited): The room temperature is measured and compared to the Nighttime Setback temperature. The flame height is then automatically adjusted to achieve the Nighttime Setback temperature.

TIMER TIMER MODE—(appliance must be in Standby mode, pilot ignited): The Timer setting allows you to set two burner ON times and two burner OFF times for every 24-hour period.



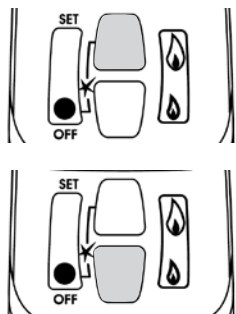
Scrolling through modes and functions

Briefly pressing the **SET** button changes the operation sequences in the following order:

MAN → ☀ TEMP → ☾ TEMP → TIMER → and back to MAN.

NOTE: MAN mode can also be reached by pressing either the 🔥 or 🔥 buttons.

Mode	Sun ☀	Moon ☾
TEMP	Daytime temperature setting	Nighttime temperature setting
TIMER	Start time setting	Stop time setting



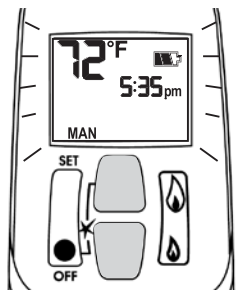
Flame Height

The flame height can be adjusted in the following manners. In MANUAL mode,

1. Press the 🔥 (large flame) button to turn on the main burner.
2. Press the 🔥 (large flame) button to increase the flame height.
3. Press the 🔥 (small flame) button to decrease the flame height or to go to pilot Standby position.

For fine adjustments, tap the 🔥 and 🔥 buttons.

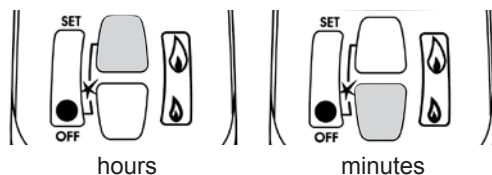
NOTE: While pressing either button, a symbol indicating transmission appears on the upper right hand corner of the display. The receiver confirms transmission with an acoustic signal.



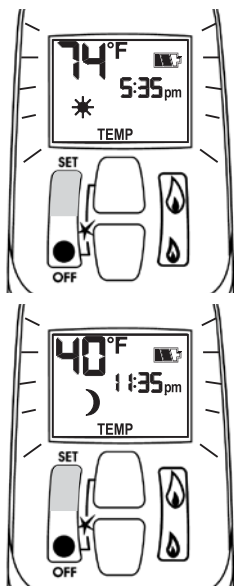
Time

To set the time, follow the steps below.

1. The display indicates °C/24-hour or °F/12-hour clock. To change from one to the other, press and hold both the **OFF** and 🔥 buttons until the display changes.
2. To set the time, hold down **both** the 🔥 and 🔥 buttons until the display flashes. Let go.
3. Quickly press the 🔥 button to set the hour and the 🔥 button to set the minutes.
Note: You must start setting the time while the display is flashing. If it stops flashing, go back to 2.
4. Press the **OFF** button to return to manual mode or simply wait and it will automatically return to Manual mode.



Remote Control Operation



Temperature

Use this setting when you come in and want to enjoy a set temperature.

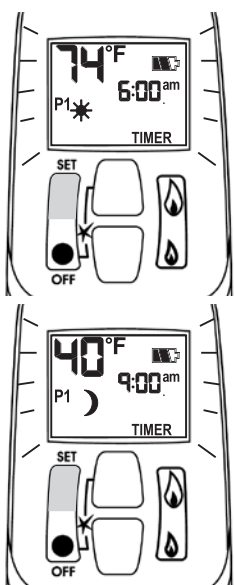
1. Select either the ☼ **TEMP MODE** or the 🌙 **TEMP MODE** by briefly pressing the **SET** button.
2. Hold the **SET** button until the **TEMP** display flashes.
3. Set the desired temperature with the 🔥 or the 🔥 buttons.
Note: 4.5°C/40°F is the minimum temperature setting.
4. Press the **OFF** button or simply wait and the display will go to the temperature control mode.
Note: If you would like the Nighttime Setback temperature control to turn off, decrease the 🌙 **TEMP MODE** setting until [---] appears on the display.
Your fireplace will reach the set temperatures and the remote handset will check the temperature every five minutes, adjusting the amount of fuel needed to give you a steady, even heat.
5. The display must remain in **TEMP** mode on the remote handset.

Timer

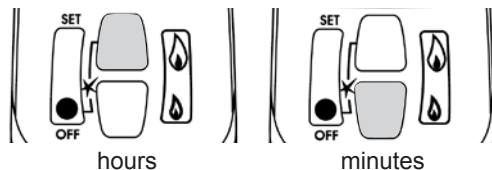
It is possible to program two periods of time per day at which your fireplace will turn on and off automatically.

For example, you can set your fireplace to turn on in the morning just before you get up (P1 ☼ [start time]) and to turn off when you leave for the day (P1 🌙 [stop time]). Then, you can set your fireplace to turn on again at the end of the day (P2 ☼ [start time]) and to turn off when you go to bed at night (P2 🌙 [stop time]).

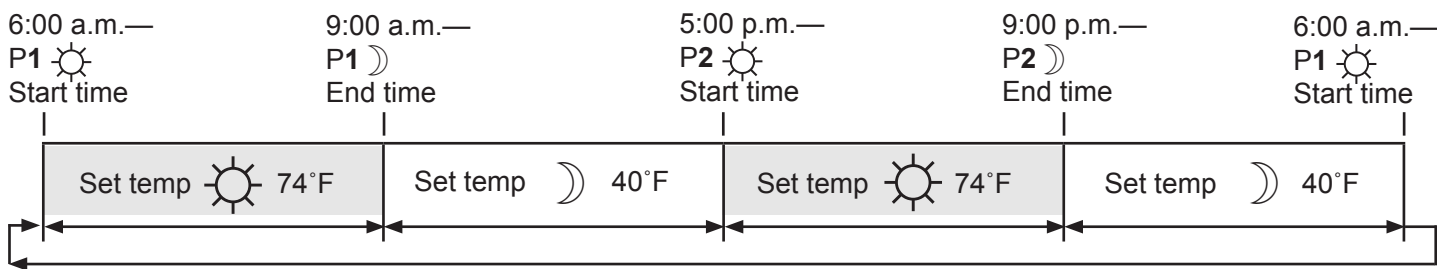
If you wish to set only one time period at which your fireplace will turn on and off, program P2 ☼ [start time] and P2 🌙 [stop time] for the same time as P1 🌙 [stop time].



1. Select **TIMER** mode by briefly pressing the **SET** button.
2. Press and hold the **SET** button until **TIMER** is displayed on the lower right hand side.
3. Press and hold the **SET** button until P1 ☼ and the time display flashes. Set the start time by pressing the 🔥 button for the hour and the 🔥 button for the minutes. Then, briefly press **SET** to P1 🌙 and set the stop time in the same manner you just set P1 ☼.
4. Briefly press the **SET** button again for the next burner cycle time, which will be P2 ☼ and P2 🌙.
5. Once all four times are set, press **OFF** or simply wait to complete programming.
6. The remote handset must remain in **TIMER** mode to function automatically.



Timer Programming Example (default temperatures shown)



Remote Control Operation

Low Battery Indication

Remote handset: BATT will appear on the display when the battery needs to be replaced.

Replace with one 9 V **alkaline** battery.

Receiver: Three short 'beeps' will sound when the motor turns when the batteries need to be replaced. Replace with four 1.5 V **alkaline** batteries.

NOTE: With very low battery, the valve shuts off the fire completely. This does not happen when the power supply is interrupted.

Handset / Receiver Match

The remote control handset and receiver are programmed to function together. In case of a replacement of the handset or the receiver, you will need to reset the receiver to allow them to function together. Contact your dealer for details

Automatic Standby Mode

If there is no transmission from the handset to the receiver within a 6-hour period, the appliance will go to **Standby** (pilot) mode.

CAUTION

DO NOT USE a screwdriver or other metallic object to remove the batteries from the battery box or the handset! This could cause a short circuit.

Options

Ceramic Liners (required)

1340CBL—Ceramic black fluted liners

1350EBL—Enamel black liners

Venting (required)

See venting accessories listed on page 14.

Trims (required)

1335MTB—Three-Sided Black Trim

1335MTP—Three-Sided Polished Trim

1337MFB—Four-Sided Black Trim

1337MTP—Four-Sided Polished Trim

1365FSP—Four-Sided Surround Polished

1365FSB—Four-Sided Surround Black

1370GSB—Glass Surround Black

1376CSK—Clean Surround Installation Kit

Conversion Kit (optional)

1300PCK—Conversion Kit to Propane Gas

1300NCK—Conversion Kit to Natural Gas

Wall Switch (optional)

1265WSK—Wall Switch Kit

1355LHK—Decorative Lighting Kit

Heat duct system (optional)

1270RBK—Remote blower kit

Reflective liner (optional)

1345RGP—Reflective glass panel (to use with 1340CBL)

Hearth Gate (optional)

Hearth gates such as Kidco's are available at retail stores carrying safety products for children.

Lighting Instructions

FOR YOUR SAFETY, READ BEFORE LIGHTING

WARNING: If you do not follow these instructions exactly, a fire or explosion may result causing property damage, personal injury or loss of life.

- A. This appliance has a pilot which must be lighted by hand or by remote control. Follow these instructions exactly. To save gas, turn the pilot off when not using the appliance for a prolonged period of time.
- B. BEFORE LIGHTING, smell all around the appliance area for gas. Be sure to smell next to the floor because some gas are heavier than air and will settle on the floor.
- WHAT TO DO IF YOU SMELL GAS**
- Do not try to light any appliance.
 - Do not touch any electric switch; do not use any phone in your building.
 - Immediately call your gas supplier from a neighbor's phone. Follow the gas supplier's instructions.
 - If you cannot reach your gas supplier, call the fire department.
- C. Use only your hand to push in or turn the control knobs. Never use tools. If the knobs will not push in or turn by hand, don't try to repair them; call a qualified service technician. Force or attempted repair may result in a fire or explosion.
- D. Do not use this appliance if any part has been under water. Immediately call a qualified service technician to inspect the appliance and to replace any part of the control system and any gas control, which has been under water.

LIGHTING INSTRUCTIONS

1. STOP! Read the safety information above. Dependent on model, switch #1 may be mounted directly to valve see Fig 2A.

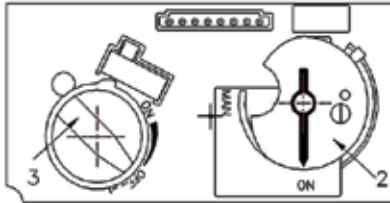


Fig 1

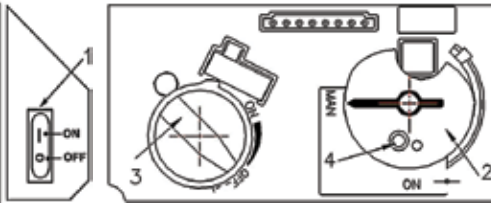


Fig 2

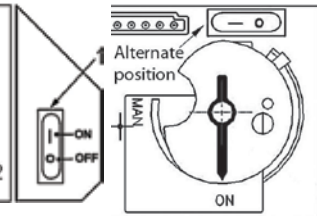




Fig 2A

2. SET ON/OFF SWITCH (1) TO "OFF" POSITION.

- Wait five (5) minutes to clear out any gas, then smell for gas, including near the floor. If you smell gas, STOP! Follow "B" in the safety information above on this label. If you don't smell gas, go to the next step.

3. AUTOMATIC IGNITION (fig. 1): Locate the pilot (fig 3.) inside of firebox at Left Hand side.

- ON/OFF switch (1) in ON position, MAN-knob (2) in ON position; set Flame Adjustment knob (3) to lowest setting (∩);
- On the remote control handset, press and hold the 'off' button and  (large flame) simultaneously; a short acoustic signal confirms the start has begun;
- Further short acoustic signals indicate the ignition process is in progress;
- When the pilot is lit, the Flame Adjustment knob (3) will automatically rotate to the highest setting.
- Press the  (small flame) on the remote control handset to reduce the flame height.

4. MANUAL IGNITION (fig. 2): With the window off, locate the pilot (fig. 3) inside of firebox at Left Hand side;

- ON/OFF switch (1) in ON position, MAN-knob (2) in MAN position;
- Set Flame Adjustment knob (3) to the lowest setting (∩);
- Push down the metallic core (4) with a pen or similar instrument; this will establish the pilot gas flow;
- Light gas at the pilot (5) with a match;
- Continue holding down metal core (4) for about 10 seconds; after release, pilot should remain lit;
- If the pilot will not stay lit after several tries, turn the gas control knob (3) to "OFF" (∩) and call your local service technician or gas supplier.

Reinstall the window and set the MAN-knob (2) to "ON"; turn Flame Adjustment knob (3) up (∩) or down manually or use the up/down 'flame' buttons on the remote control handset to adjust the flame height.

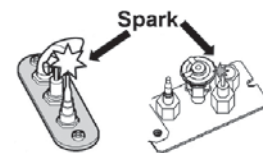



Fig 3

TO TURN OFF GAS TO APPLIANCE

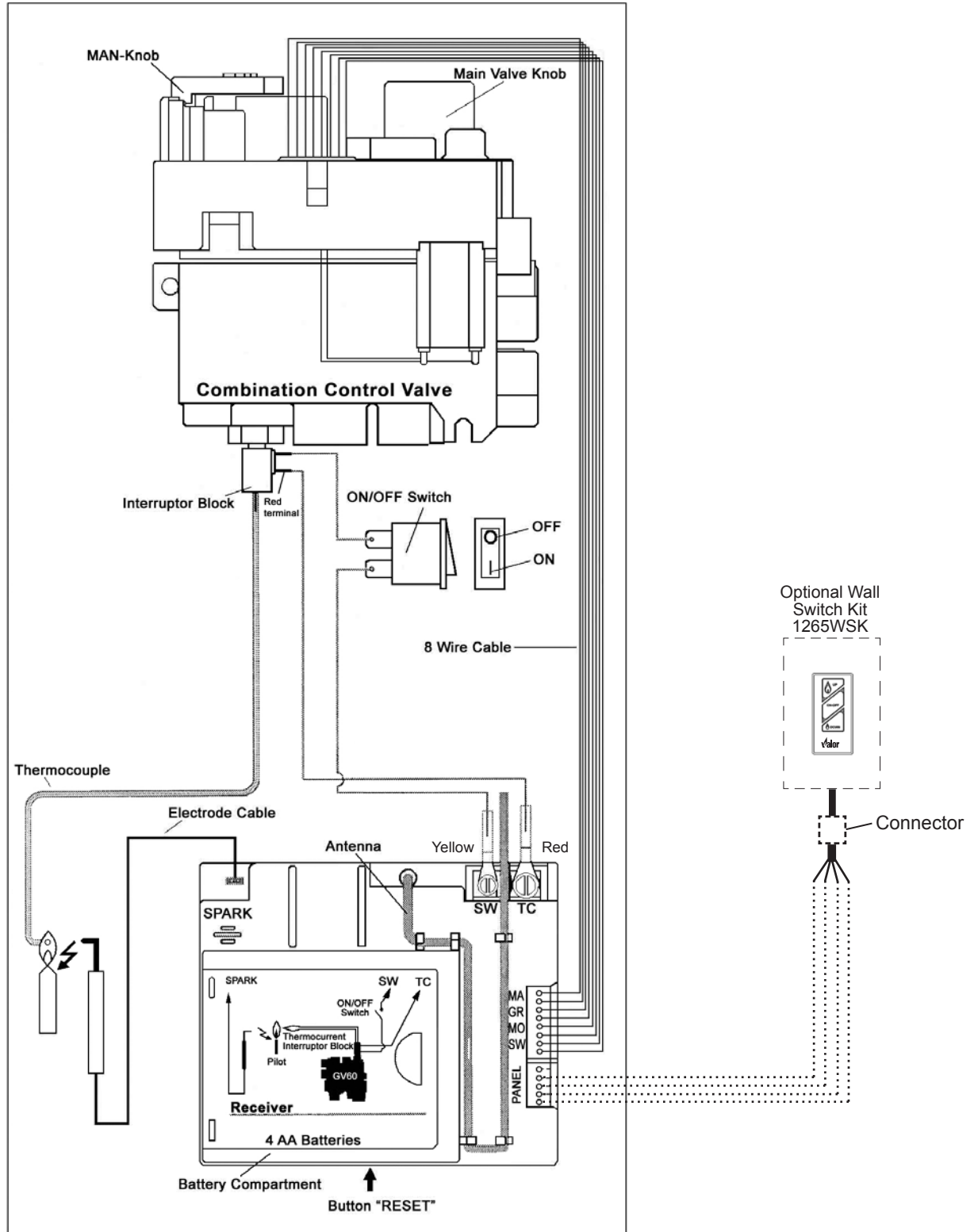
1. AUTOMATIC SHUT-OFF (using the remote control handset):

- Press and hold the  (small flame) on the remote control handset to shut-off the main burner gas flow;
- Press "OFF" button on remote handset to shut-off the appliance, including pilot flame.

2. MANUAL SHUT-OFF (using only the ON/OFF switch (1))

- Press "O" the ON/OFF switch (1) to shut-off the appliance.

Wiring Diagram



GV60 Wiring Diagram

Warranty

If you have a problem with this unit, please contact your dealer or supplier immediately. Under no circumstances should you attempt to service the unit in any way by yourself. The warranties in paragraphs 1 and 2 are provided only to the first purchaser/user of this unit, are not transferable and are subject to the conditions and limitations in paragraphs 3, 4 and 5. Please review the conditions and limitations carefully and strictly follow their requirements.



1. Extended Warranty Coverage

For a period of up to ten (10) years, Miles Industries Ltd., (the "Company") or its appointed distributor will at its option pay the initial purchaser for the repair of, or will exchange the following parts or components which are found to be defective in material or workmanship under normal conditions of use and service:

Part or Component	Defect Covered	Maximum Warranty Period
Exterior steel casing	Corrosion	10 years
Glass	Loss of structural integrity	10 years
Cast iron parts	Corrosion	10 years
Firebox and heat exchanger	Corrosion (but not discoloration) causing loss of structural integrity	10 years

2. Two-Year Parts Warranty

In addition, for two (2) years from the date of purchase, the Company, at its option, can repair or exchange all parts and components not listed above but that are found to have a *bona fide* defect in material or workmanship under normal conditions of use.

3. Conditions and Limitations

- a) The warranty registration card must be completed by the initial owner and returned to the Company within 90 days of purchase.
- b) Installation and maintenance must be performed by an authorized and trained dealer in accordance with the Company's installation instructions.
- c) This warranty is void where installation of the unit does not conform to all applicable codes including national and local gas appliance installation codes and building and fire codes.
- d) The owner must comply with all operating instructions.
- e) The Company is not responsible for the labor costs to remove defective parts or re-install repaired or replacement parts.
- f) The first purchaser or user of the unit will be responsible for any shipping charges for replacement parts as well as travel time incurred by the dealer to perform the warranty work.
- g) This warranty applies to non-commercial use and service and is void if it is apparent that there is abuse, misuse, alteration, improper installation, accident or lack of maintenance to the unit.
- h) This warranty does not cover damage to the unit through:
 - i) Improper installation, operational or environmental conditions.
 - ii) Inadequate ventilation in the area or competition for air from other household equipment or appliances.
 - iii) Damage due to chemicals, dampness, condensation, or sulphur in the fuel supply lines which exceeds industry standards.
- i) This warranty does not cover glass, log breakage or damage to the unit while in transit.
- j) The Company does not allow anyone to extend, alter or modify this warranty and assumes no responsibility for direct, indirect or consequential damages caused by the unit. State or provincial laws where the first purchaser or user resides may provide specific rights to extend this warranty and, if so, the Company's sole obligation under this warranty is to provide labor and/or materials in accordance with those laws.

4. Discharge of Liability

After two (2) years from the date of purchase, the Company may, at its option, fully discharge all obligations under this warranty by paying to the first purchaser/user the wholesale price of any defective parts.

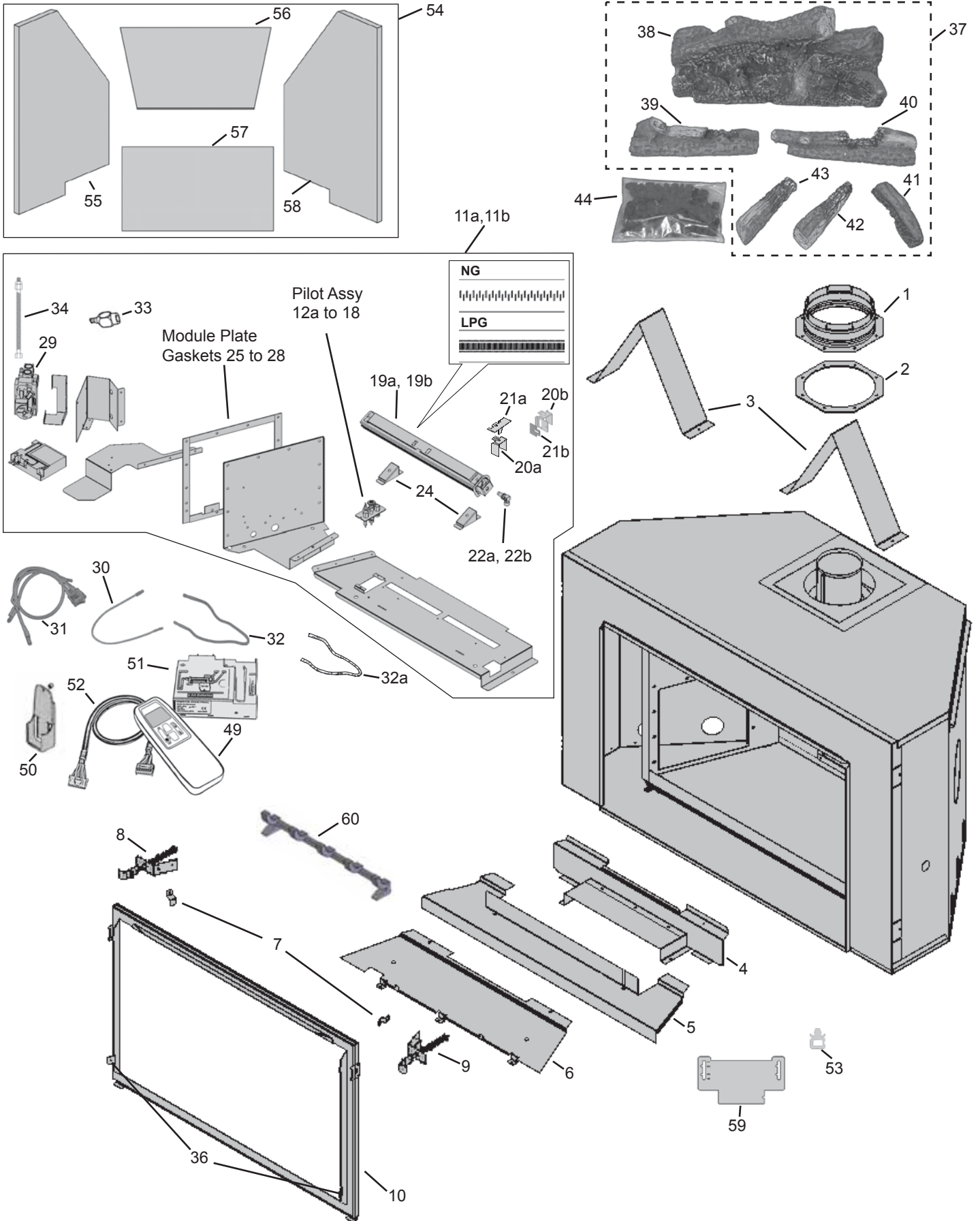
5. No Other Warranty

All obligations to repair this unit are defined in this warranty. Some states or provinces may specifically mandate additional warranties on the part of manufacturers, but in the absence of such specific legislation, there is no other warranty or obligation expressed or implied.

Spare Parts

Code	Description	Part Number	Code	Description	Part Number
1	Intake Collar	4000925	34	Pipe S/S Flex	4000345
2	Intake Collar Gasket	4000942	36	Magnet dia. 16 x 4.5mm	420K551
3	Top Standoff (2)	4001906	37	Log Set Complete	4001696
4	Air Inlet Duct Assembly	4002021	38	Rear Log	4001697
5	Front Brick Support	4001849BY	39	Front Left Log	4001699
6	Rear Log Support	4001854BY	40	Front Right Log	4001700
7	Side Brick Anchor (2)	4001283	41	Right Cross Log	4001701
8	LH Explosion Relief Assembly	4001286	42	Middle Cross Log	4001698
9	RH Explosion Relief Assembly	4001287	43	Left Cross Log	4001772
10	Window Frame Assembly	4001739	44	Loose Coals	4001843
11a	Burner Module Assembly NG	4001740S	49	Remote Control Handset	4001910
11b	Burner Module Assembly LPG	4001749S	50	Remote Control Wall Holder	9000008
12a	Pilot Assembly NG	4001690	51	Receiver	4001911
12b	Pilot Assembly LPG	4001691	52	Wiring Harness	4001187
13	Thermocouple	4000061	53	Cable Clip	4000012
14a	Pilot Injector #51 NG	4000735	54	Ceramic Liner Sets	
14b	Pilot Injector #30 LPG	4000736	a	Ceramic Fluted Black Set	1340CBL
15	Pilot Tube	4000732	b	Enamel Black Set	1350EBL
16	Pilot Hood 2 Flame	4000730	55	LH Panel	
17	Extended Nut	4001855	a	Ceramic Fluted Black	4002003
18	Electrode	4001856	b	Enamel Black	4001797EB
19a	Burner Assembly NG	4001665	56	Top Panel	
19b	Burner Assembly LPG	4001666	a	Ceramic Fluted Black	4002006
20a	Air Shutter Slider LPG	320B293	b	Enamel Black	4002006
20b	Air Shutter Slider NG	4002345	57	Rear Panel	
21a	Flashback Shield LPG	3000371	a	Ceramic Fluted Black	4002005
21b	Air Shutter Cover NG	4002346	b	Enamel Black	4001799EB
22a	Injector Elbow #850 NG	9730010	58	RH Panel	
22b	Injector Elbow #300 LPG	9730035	a	Ceramic Fluted Black	4002004
23	Valve to Burner Pipe Assembly	4001279X	b	Enamel Black	4001798EB
24	Location Support Assembly (2)	4001850	59	Restrictor	4001222
25	Top Gasket	4001269	60	Cast Iron Grate	4001401AH
26	Bottom Gasket	4001363			
27	Sealing Gasket	4001364			
28	Side Gasket (2)	4001268			
29	Valve	4000873			
30	Cable Interruptor	4001035			
31	Switch with Cable	4001036			
32	Ignition Cable	4001039			
32a	Ignition Cable Sleeve	4002244			
33	Thermocurrent Interruptor	4001037			

Spare Parts



Thank You ...

For purchasing a Valor by Miles Industries. Your new radiant gas heater is a technical appliance that must be installed by a qualified dealer.

Please circle where appropriate - ask your installer or your dealer if in doubt. The information provided will be used for customer records only.



Model: 1300IL NG (natural gas) LPG (propane)				Serial No:		
Front/Trim code/description (e.g. 1370GSB Glass Surround):						
Purchase date (mm-dd-yyyy):						
Home Owner Name:						
Address:						
City:			Province/State:		Postal Code/Zip:	
Phone: ()			Email Address:			
Store Type:		Fire shop	Hardware	Contractor	Other	
Purchase Decision:		Male	Female	Both		
Age:	Under 30	30-39	40-49	50-59	60+	
Heard of this product through:						
	Friend	Brochure	Advertising	Mailing	Store	Internet Other
Installation Type:						
	New home	Renovation	Other			
Reason for Purchase:						
Performance	Flame Appeal	Design	Control	Previous owner	Recommendation	Price Other
Dealer Name:						
Address:						
City:			Province/State:		Postal Code/Zip:	
Phone: ()						

Cut out page, fill information, and mail to Miles Industries Ltd.

Online Warranty registration at www.valorfireplaces.com



Tape Shut



Fold here



Postage
needed

Miles Industries Ltd.
190 - 2255 Dollarton Highway
North Vancouver, BC V7H 3B1
Canada

Online Warranty registration at www.valorfireplaces.com

Were you given all documentation and manuals for your product? YES NO



Thank you for choosing a Valor Product